



UR

*Subwoofer*  
*Caisson de grave*

# NS-SW100/NS-SW050

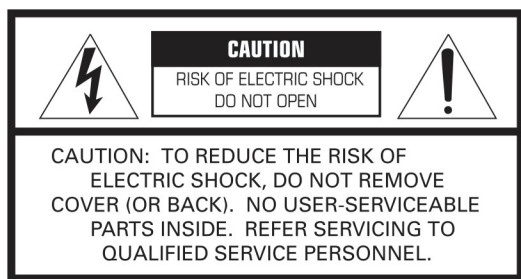
---



**OWNER'S MANUAL**  
**MODE D'EMPLOI**  
**MANUAL DE INSTRUCCIONES**

**EN**  
**FR**  
**ES**

# IMPORTANT SAFETY INSTRUCTIONS



## • Explanation of Graphical Symbols



The lightning flash with arrowhead symbol, within an equilateral triangle, is intended to alert you to the presence of uninsulated "dangerous voltage" within the product's enclosure that may be of sufficient magnitude to constitute a risk of electric shock to persons.



The exclamation point within an equilateral triangle is intended to alert you to the presence of important operating and maintenance (servicing) instructions in the literature accompanying the appliance.

### IMPORTANT

Please record the serial number of this system in the space below.

Model:

Serial No.:

The serial number is located on the rear of the main unit.

Retain this Owner's Manual in a safe place for future reference.

- 1 Read these instructions.
- 2 Keep these instructions.
- 3 Heed all warnings.
- 4 Follow all instructions.
- 5 Do not use this apparatus near water.
- 6 Clean only with dry cloth.
- 7 Do not block any ventilation openings. Install in accordance with the manufacturer's instructions.
- 8 Do not install near any heat sources such as radiators, heat registers, stoves, or other apparatus (including amplifiers) that produce heat.
- 9 Do not defeat the safety purpose of the polarized or grounding-type plug. A polarized plug has two blades with one wider than the other. A grounding type plug has two blades and a third grounding prong. The wide blade or the third prong are provided for your safety. If the provided plug does not fit into your outlet, consult an electrician for replacement of the obsolete outlet.
- 10 Protect the power cord from being walked on or pinched particularly at plugs, convenience receptacles, and the point where they exit from the apparatus.
- 11 Only use attachments/accessories specified by the manufacturer.
- 12 Use only with the cart, stand, tripod, bracket, or table specified by the manufacturer, or sold with the apparatus. When a cart is used, use caution when moving the cart/apparatus combination to avoid injury from tip-over.
- 13 Unplug this apparatus during lightning storms or when unused for long periods of time.
- 14 Refer all servicing to qualified service personnel. Servicing is required when the apparatus has been damaged in any way, such as power-supply cord or plug is damaged, liquid has been spilled or objects have fallen into the apparatus, the apparatus has been exposed to rain or moisture, does not operate normally, or has been dropped.



## We Want You Listening For A Lifetime

YAMAHA and the Electronic Industries Association's Consumer Electronics Group want you to get the most out of your equipment by playing it at a safe level. One that lets the sound come through loud and clear without annoying blaring or distortion – and, most importantly, without affecting your sensitive hearing.

Since hearing damage from loud sounds is often undetectable until it is too late, YAMAHA and the Electronic Industries Association's Consumer Electronics Group recommend you to avoid prolonged exposure from excessive volume levels.



## CAUTION: Read this before operating your unit

Please read the following operating precautions before use. Yamaha will not be held responsible for any damage and/or injury caused by not following the cautions below.

- To assure the finest performance, please read this manual carefully. Keep it in a safe place for future reference.
- Install this unit in a cool, dry, clean place - away from windows, heat sources, sources of excessive vibration, dust, moisture and cold. Avoid sources of humming (transformers, motors). To prevent fire or electrical shock, do not expose this unit to rain or water.
- The voltage to be used must be the same as that specified on the rear panel. Using this unit with a higher voltage than specified is dangerous and may cause a fire and/or electric shock.
- Do not use force on switches, controls or connection wires. When moving the unit, first disconnect the power plug and the wires connected to other equipment. Never pull the wires themselves.
- When not planning to use this unit for a long period (ie., vacation, etc.), disconnect the AC power plug from the wall outlet.
- To prevent lightning damage, disconnect the AC power plug when there is an electric storm.
- Since this unit has a built-in power amplifier, heat will radiate from the rear panel. Place the unit apart from the walls, allowing at least 20 cm of space above, behind and on both sides of the unit to prevent fire or damage. Furthermore, do not position with the rear panel facing down on the floor or other surfaces.
- Do not cover the rear panel of this unit with a newspaper, a tablecloth, a curtain, etc., in order not to obstruct heat radiation. If the temperature inside the unit rises, it may cause fire, damage to the unit and/or personal injury.
- Do not place the following objects on this unit:
  - Glass, china, small metallic, etc.  
If glass, etc., falls as a result of vibrations and breaks, it may cause bodily injury.
  - A burning candle etc.  
If the candle falls as a result of vibration, it may cause fire and bodily injury.
  - A vessel containing water  
If the vessel falls as a result of vibration and water spills, it may cause damage to the speaker, and/or you may get an electric shock.
- Do not place this unit where foreign material, such as dripping water. It might cause fire, damage to this unit, and/or personal injury.
- Never put a hand or a foreign object into the YST port located on the right side of this unit. When moving this unit, do not hold the port, as it might cause personal injury and/or damage to this unit.
- Never place a fragile object near the YST port of this unit. If the object falls or drops as a result of the air pressure, it may cause damage to the unit and/or personal injury.
- Never open the cabinet. It might cause an electric shock, since this unit uses a high voltage. It might also cause personal injury and/or damage to this unit. If something drops into the set, contact your dealer.
- When using a humidifier, be sure to avoid condensation inside this unit by allowing enough space around this unit or avoiding excess humidification. Condensation might cause fire, damage to this unit, and/or electric shock.
- Super-bass frequencies reproduced by this unit may cause a turntable to generate a howling sound. In such a case, move this unit away from the turntable.
- This unit may be damaged if certain sounds are continuously output at high volume level. For example, if 20 Hz - 50 Hz sine waves from a test disc, bass sounds from electronic instruments, etc., are continuously output, or when the stylus of a turntable touches the surface of a disc, reduce the volume level to prevent this unit from being damaged.
- If you hear distortion (i.e., unnatural, intermittent “rapping” or “hammering” sounds) coming from this unit, reduce the volume level. Extremely loud playing of a movie soundtrack’s low frequency, bass-heavy sounds or similarly loud popular music passages can damage this speaker system.
- Vibration generated by super-bass frequencies may distort images on a TV. In such a case, move this unit away from the TV set.
- Do not attempt to clean this unit with chemical solvents as this might damage the finish. Use a clean, dry cloth.
- Be sure to read the “TROUBLESHOOTING” section regarding common operating errors before concluding that the unit is faulty.
- Install this unit near the wall outlet and where the AC power plug can be reached easily.
- **Secure placement or installation is the owner’s responsibility. Yamaha shall not be liable for any accident caused by improper placement or installation of speakers.**

WARNING  
TO REDUCE THE RISK OF FIRE OR ELECTRIC SHOCK, DO NOT EXPOSE THIS APPLIANCE TO RAIN OR MOISTURE.

- **VOLTAGE SELECTOR**

(Asia and General models only)

**The voltage selector switch on the rear panel of this unit must be set to your local main voltage BEFORE plugging this unit into the AC main supply. Voltages are 110-120/220-240 V AC, 50/60 Hz.**

This unit is not disconnected from the AC power source as long as it is connected to the wall outlet, even if this unit itself is turned off. In this state, this unit is designed to consume a very small quantity of power.

**For Canadian Customers**

To prevent electric shock, match wide blade of plug to wide slot and fully insert.

CAN ICES-3 (B)/NMB-3 (B)

This unit's speakers use magnets. Do not place items that are sensitive to magnetism, such as CRT-type TVs, clocks, credit cards, floppy disks, etc., on or beside this unit.

**Taking care of the subwoofer**

- When you wipe this unit, do not use chemical solvents (e.g., alcohol or thinners, etc.): this might damage the finish. Use a clean, dry cloth. For difficult soils, dampen a soft cloth in water, wring it out, and then wipe with the cloth.
- (For polish-finished model) Bumping the surface of the instrument with metal, porcelain, or other hard objects can cause the finish to crack or peel. Use caution.

# CONTENTS

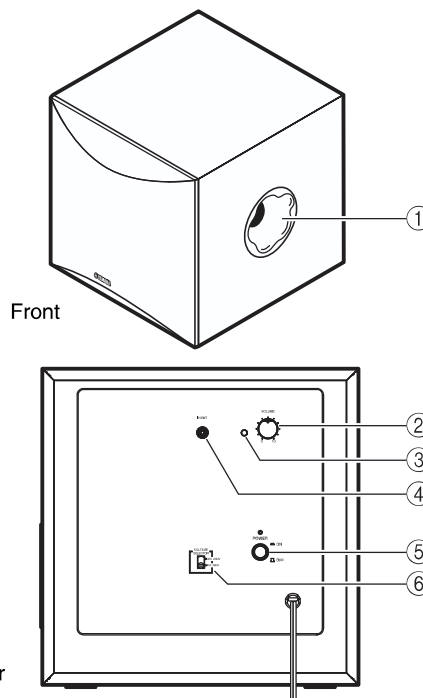
FEATURES.....	1
CONTROLS AND THEIR FUNCTIONS.....	1
PLACEMENT.....	2
CONNECTIONS.....	3
Connecting to such as subwoofer output terminal or line output (pin jack) terminals of the amplifier.....	3
Plug in the subwoofer to the AC outlet.....	3
ADJUSTING THE SUBWOOFER BEFORE USE.....	4
ADVANCED YAMAHA ACTIVE SERVO TECHNOLOGY II.....	5
TWISTED FLARE PORT.....	5
TROUBLESHOOTING.....	6
SPECIFICATIONS.....	7
Frequency characteristic.....	7

# FEATURES

- This subwoofer employs Advanced Yamaha Active Servo Technology II, which Yamaha has developed for the production of higher quality, super-bass sound. (Refer to page 5 for details on Advanced Yamaha Active Servo Technology II.) This super-bass sound adds a more realistic, theater-in-the-home effect to your audio system.
- Equipped with the smooth super-bass reproducing Twisted Flare Port.  
The flared, gently twisting shape diffuses the vortex of air generated around the edge of the port, creating a smooth flow of air. This reduces extraneous noise not present in the original input signal, and provides clear, accurate low frequency reproduction.

# CONTROLS AND THEIR FUNCTIONS

English



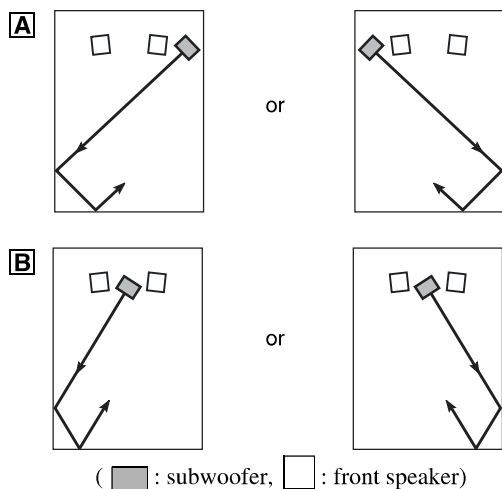
- ① **Twisted Flare Port**  
Outputs super-bass sound.
- ② **VOLUME control**  
Adjusts the volume level. Turn the control clockwise to increase the volume, and counterclockwise to decrease the volume.
- ③ **Power indicator**  
Lights up Green when the POWER switch is turned ON; turns off when the POWER switch is turned OFF.
- ④ **INPUT (FROM AMPLIFIER) terminal**  
Used to connect the subwoofer with the subwoofer terminal of the amplifier.  
(Refer to “CONNECTIONS” for details.)
- ⑤ **POWER switch**  
Press this switch to the ON position to turn on the power to the subwoofer. Press this switch again to set it to the OFF position to turn off the power of the subwoofer.
- ⑥ **VOLTAGE SELECTOR switch (Asia and General models only)**  
If the preset setting of the switch is incorrect, set the switch to the proper voltage (110-120/220-240V) of your area.  
Consult your dealer if you are unsure of the correct setting.

## WARNING

**Be sure to unplug the subwoofer before setting the VOLTAGE SELECTOR switch correctly.**

# PLACEMENT

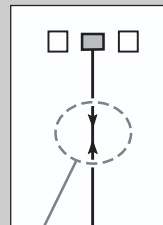
Since the low-end frequencies of audio signals feature long wavelengths, they are almost non-directional to human ears. The super-bass range does not create a stereo image. Therefore, a single subwoofer may be enough to produce a high-quality super-bass sound.



## Note

The placement shown in the figure on the right is also possible. However, if the subwoofer system is placed directly facing a wall, the bass effect may suffer due to phase cancellation caused by the interference between the direct and reflected sounds.

To prevent this from happening, place the subwoofer system at an angle. (Figures **A** and **B**)



## Note

There may be a case that you cannot obtain enough super-bass sound from the subwoofer due to standing waves.

## Note

- Placing the subwoofer too close to a CRT-type TV may impair the picture color or cause a buzzing noise. In this case, place the subwoofer and TV at a separated position where these effects do not occur. This is not an issue with LCD and plasma TVs.
- If the speaker volume is very loud, furniture or window glass may resonate and the subwoofer itself may vibrate. In this case, lower the volume level. To limit resonance, use a thick curtain or similar cloth that tends to absorb sound vibrations effectively. Also, changing the subwoofer position may be helpful.

# CONNECTIONS

## Note

- Unplug the subwoofer and other audio/video components before making connections, and do not plug them in until all connections are completed.
- Connecting methods and terminal names on your component (such as an amplifier or receiver) may be different from those used in this book. Please refer to the owner's manual that came with your component.
- After connecting, make sure that cable is connected firmly.

## Connecting to such as subwoofer output terminal or line output (pin jack) terminals of the amplifier

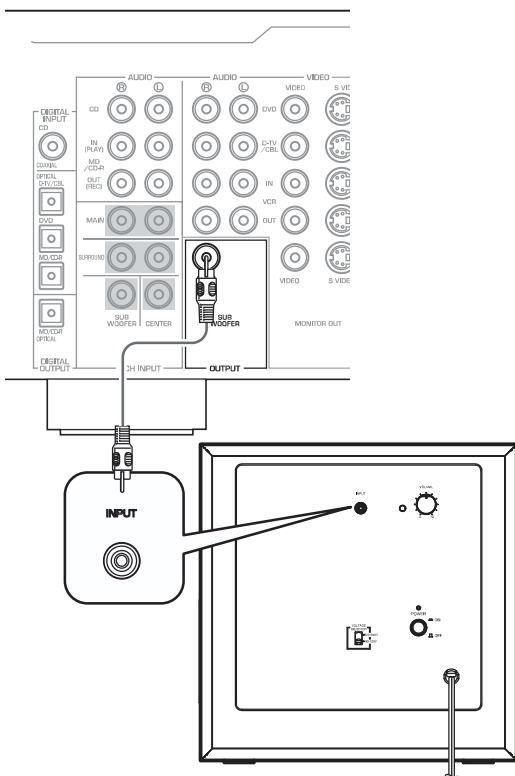
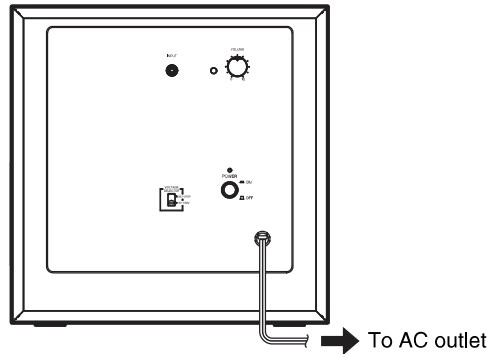
Connect to the subwoofer output terminal of the amplifier (or AV receiver) using commercially available audio pin cable.

If the amplifier (or AV receiver) has no subwoofer output terminal, connect to the line output (such as PRE OUT) terminal.

Amplifier (The rear panel of various amplifiers may differ in appearance.)

## Plug in the subwoofer to the AC outlet

After all connections are completed, plug the subwoofer and other audio/video components into AC outlets.



# ADJUSTING THE SUBWOOFER BEFORE USE

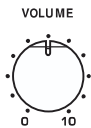
Before using the subwoofer, adjust the subwoofer to obtain the optimum volume balance between the subwoofer and the front speakers by following the procedure described below.



- 1** Set the **VOLUME** control to minimum (0).
- 2** Turn on the power of all the other components.
- 3** Make sure that the **POWER** switch is set to the ON position.  
\* The Power indicator lights up in green.
- 4** Play a source containing low-frequency components and adjust the amplifier's volume control to the desired listening level.
- 5** Increase the volume gradually to adjust the volume balance between the subwoofer and the front speakers.  
To enjoy natural bass sound, keep the subwoofer volume at a level where it is barely distinguishable from other speakers.

## Note

It is recommended to set the **VOLUME** control about in the middle position when using in a multi channel home theater system.

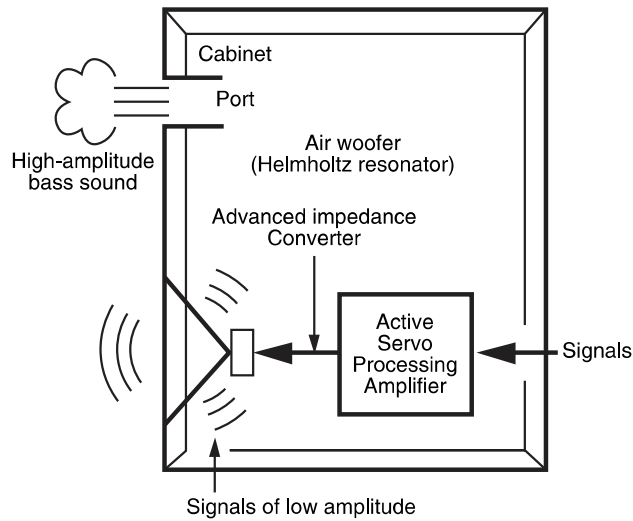


# ADVANCED YAMAHA ACTIVE SERVO TECHNOLOGY II

In 1988, Yamaha brought to the marketplace speaker systems utilizing YST (Yamaha Active Servo Technology) to give powerful, high quality bass reproduction. This technique uses a direct connection between the amplifier and speaker, allowing accurate signal transmission and precise speaker control.

As this technology uses speaker units controlled by the negative impedance drive of the amplifier and resonance generated between the speaker cabinet volume and port, it creates more resonant energy (the “air woofer” concept) than the standard bass reflex method. This allows for bass reproduction from much smaller cabinets than was previously possible.

Yamaha’s newly developed Advanced YST II adds many refinements to Yamaha Active Servo Technology, allowing better control of the forces driving the amplifier and speaker. From the amplifier’s point of view, the speaker impedance changes depending on the sound frequency. Yamaha developed a new circuit design combining negative-impedance and constant-current drives, which provides a more stable performance and clear bass reproduction, without any murkiness.



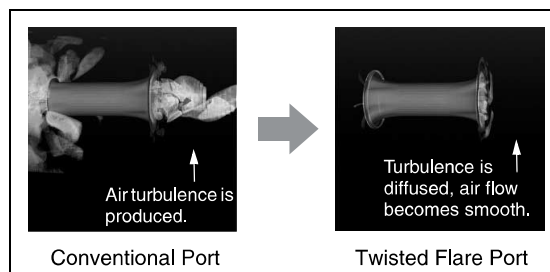
## TWISTED FLARE PORT

Today’s bass reflex speakers use a Helmholtz resonator to improve their bass reproduction.

However when reproducing bass that is in the frequency region of this Helmholtz resonator, air moves violently in and out through the port between the interior and exterior of the speaker, sometimes producing noise due to the turbulent air flow at the end of the port.

The port and the cabinet resonate at a frequency that is determined by their dimensions and shape. On the other hand, turbulence in the air flow at the end of the port contains a broad range of frequency components that are not present in the input signal. This noise occurs because the broad range of frequency components includes components that match the resonant frequencies of the port and cabinet, causing strong resonance.

The Twisted Flare Port developed by Yamaha changes the way in which the port widens toward its end, and also adds a “twist” to suppress airflow turbulence at each end of the port and thus prevent noise from occurring. This eliminates the “muddy sound” and “wind noise” that until now have been characteristic of bass reflex speakers, allowing bass to be reproduced clearly.



Air turbulence on both ends of the port creates noise

# TROUBLESHOOTING

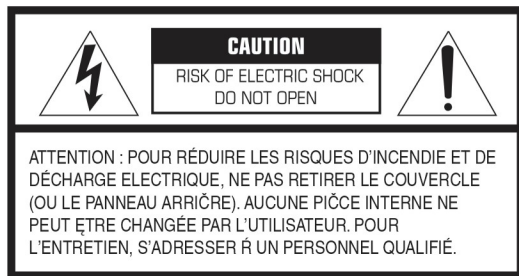
Refer to the chart below if this unit does not function properly.

If the instructions given below do not help, or if the problem you are experiencing is not listed below, turn off the power to the unit, disconnect the power cord and contact an authorized Yamaha dealer or service center.

Problem	Cause	What to Do
<b>Power is not supplied even though the POWER switch is set to the ON position.</b>	The power plug is not securely connected.	Connect it securely.
<b>No sound.</b>	The volume is set to minimum.	Raise the volume up.
	Connections are faulty (or the connections are incomplete).	Connect them securely.
<b>The sound is interrupted.</b>	The volume is too loud.	Since the output is excessive, reduce the volume level.
<b>Sound level is too low.</b>	A source sound with little bass frequency content is being played.	Play a source sound with bass frequencies.
	It is influenced by standing waves.	Reposition the subwoofer or break up parallel surfaces by placing bookshelves, etc., along the walls.



# INSTRUCTIONS DE SÉCURITÉ IMPORTANTES



## • Explication des symboles



L'éclair avec une flèche à l'intérieur d'un triangle équilatéral est destiné à attirer l'attention de l'utilisateur sur la présence d'une « tension dangereuse » non isolée à l'intérieur du produit, pouvant être suffisamment élevée pour constituer un risque d'électrocution.



Le point d'exclamation à l'intérieur d'un triangle équilatéral est destiné à attirer l'attention de l'utilisateur sur la présence d'instructions importantes sur l'emploi ou de la maintenance (réparation) de l'appareil dans la documentation fournie.

## IMPORTANT

Veuillez enregistrer le numéro de série de cet appareil dans l'espace réservé à cet effet, ci-dessous.

### MODÈLE :

No. de série :

Le numéro de série se trouve à l'arrière de l'appareil. Prière de conserver le mode d'emploi en lieu sûr pour toute référence future.

- 1 Lire ces instructions.
- 2 Conserver ces instructions.
- 3 Tenir compte de tous les avertissements.
- 4 Suivre toutes les instructions.
- 5 Ne pas utiliser cet appareil à proximité de l'eau.

- 6 Nettoyer cet appareil avec un chiffon sec seulement.
- 7 Ne pas recouvrir les ailettes de ventilation. Installer l'appareil selon les instructions du fabricant.
- 8 Ne pas installer près d'une source de chaleur, comme un appareil de chauffage, une résistance électrique, un poêle, ou tout autre appareil (amplificateurs compris) produisant de la chaleur.
- 9 Ne pas désamorcer le système de sécurité d'une fiche polarisée ou d'une fiche avec mise à la terre. Une fiche polarisée est munie de deux lames, dont l'une est plus large que l'autre. Une fiche avec mise à la terre est munie de deux lames et d'une broche de terre. La lame la plus large ou la troisième broche sont reliées à la terre pour des raisons de sécurité. Si la fiche fournie ne s'insère pas dans la prise, s'adresser à un électricien pour faire remplacer la prise obsolète.
- 10 Protéger le cordon d'alimentation de sorte qu'il ne risque pas d'être piétiné ou coincé, surtout au niveau des fiches, des prises et de sa sortie de l'appareil.
- 11 Utiliser seulement les fixations et accessoires spécifiés par le fabricant.
- 12 Utiliser seulement le chariot, socle, trépied, support ou meuble spécifié par le fabricant ou vendu avec l'appareil. Si un chariot est utilisé, faire attention de ne pas se blesser ou de le renverser pendant le transport de l'appareil.
- 13 Débrancher cet appareil pendant les orages électriques, ou s'il ne doit pas être utilisé pendant un certain temps.
- 14 Pour toute inspection s'adresser à un personnel qualifié. Une inspection est nécessaire en cas de dommage, quel qu'il soit, par exemple cordon d'alimentation ou fiche endommagé, liquide répandu ou objet tombé à l'intérieur de l'appareil, exposition de l'appareil à la pluie ou à l'humidité, fonctionnement anormal ou chute de l'appareil.



## Nous vous souhaitons un plaisir musical durable

YAMAHA et le Groupe des Entreprises Électroniques Grand Public de l'Association des Industries Électroniques vous demandent de tirer le meilleur parti de votre équipement tout en écoutant à un niveau non dommageable pour l'ouïe, c'est-à-dire un niveau où vous pouvez obtenir un son fort et clair, sans hurlement ni distorsion, mais sans

aucun danger pour l'ouïe. Comme les sons trop forts causent des lésions auditives qui ne peuvent être détectées qu'à long terme, lorsqu'il est trop tard, YAMAHA et le Groupe des Entreprises Électroniques Grand Public de l'Association des Industries Électroniques vous déconseillent l'écoute prolongée à des volumes excessifs.

