

# MAGNETIC TRANSFORMER - 600W

9600

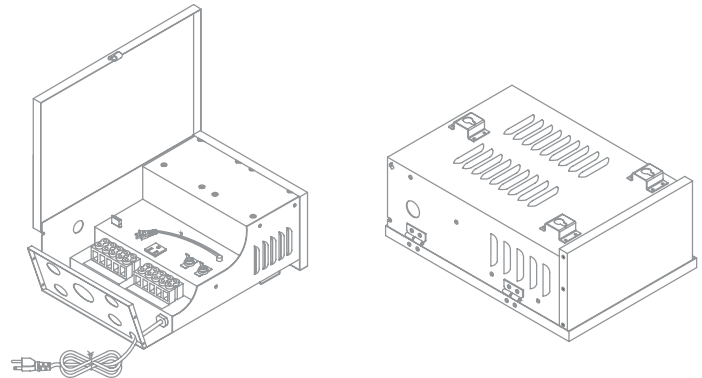


Fixture Type:

Catalog Number:

Project: \_\_\_\_\_

Location: \_\_\_\_\_



## PRODUCT DESCRIPTION

Magnetic transformer for Landscape Lighting products.

## FEATURES

- IP65 Rated
- Two sets of taps for 12V, 13V, 14V and 15V
- Knock outs for power and photosensor connections
- 3-prong outlet for timer
- Outdoor rated stainless steel transformer contains an outdoor rated 3-prong plug for power
- 5' lead wire
- UL 1838 Listed

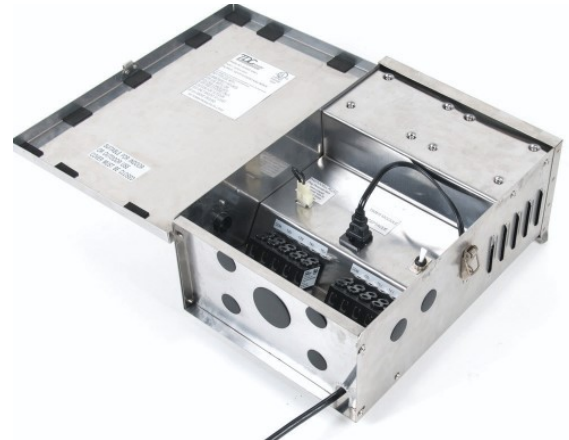
## ORDERING NUMBER

<b>9600-TRN-SS</b>	<i>600W Max</i>
--------------------	-----------------

## 9600-TRN-SS

## SPECIFICATIONS

**Input:** 120VAC  
**Output:** 12VAC, 13VAC, 14 VAC, 15VAC; 600W / 600VA



## ACCESSORIES

**External Low Voltage  
MLV Dimmer**



**9000-MLV-BK**

**Black on Aluminum**

**Max Load:** Up to 150W at 12V AC  
 No Minimum load  
**Capacity:** 13A  
**Input Voltage:** 12-15VAC

<p>wacighting.com                  Phone (800) 526.2588                  Fax (800) 526.2585</p>	<p><b>Headquarters, East Manufacturing Facility</b>                  44 Harbor Park Drive                  Port Washington, NY 11050</p>	<p><b>South East Manufacturing Facility</b>                  1600 Distribution Ct                  Lithia Springs, GA 30122</p>	<p><b>Central Manufacturing Facility</b>                  1700 South J Elmer Freeway, Ste 100                  Cedar Hill, TX 75104</p>	<p><b>West Manufacturing Facility</b>                  1750 S Archibald Ave                  Ontario, CA 91761</p>
---	--	---	---	--