

4MP Fixed Eyeball Network Camera

IPC-T124-APF28K



Key Features



- High quality image with 4MP,1/3" CMOS sensor
- 4MP (2560*1440)@20fps;3MP (2304*1296) @20fps; 1080P (1920*1080)@30/25fps
- Ultra 265, H.265, H.264, MJPEG
- 2D/3D DNR (Digital Noise Reduction)
- ROI (Region of Interest)
- ONVIF Conformance
- Smart IR, up to 30m (98ft) IR distance
- Support 128 GB Micro SD card
- 3-Axis
- Built-in Mic
- Wide temperature range: -30°C ~ 60°C (-22°F ~ 140°F)
- DC12V or PoE(IEEE 802.3af) power supply
- IP67

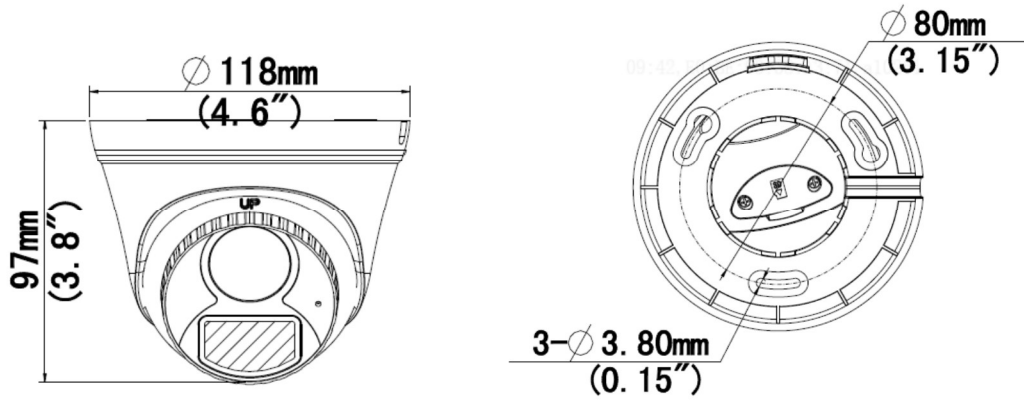
Specifications

IPC-T124-APF28K											
Camera											
Sensor	1/3", 4.0 megapixel, progressive scan, CMOS										
Minimum Illumination	Colour: 0.02Lux (F2.1, AGC ON) 0Lux with IR on										
Day/Night	IR-cut filter with auto switch (ICR)										
Shutter	Auto/Manual, 1 ~ 1/100000s										
Adjustment angle	Pan: 0° ~ 360° Tilt: 0° ~ 80° Rotate: 0° ~ 360°										
WDR	DWDR										
S/N	>52dB										
Lens											
Lens Type	2.8mm@F2.1										
Iris	Fixed										
Angle of View (H)	97.0°										
Angle of View (V)	52.2°										
Angle of View (O)	107.5										
DORI											
DORI Distance	<table border="1"> <thead> <tr> <th>Lens (mm)</th> <th>Detect (m)</th> <th>Observe (m)</th> <th>Recognize (m)</th> <th>Identify (m)</th> </tr> </thead> <tbody> <tr> <td>2.8</td> <td>63.0</td> <td>25.2</td> <td>12.6</td> <td>6.3</td> </tr> </tbody> </table>	Lens (mm)	Detect (m)	Observe (m)	Recognize (m)	Identify (m)	2.8	63.0	25.2	12.6	6.3
Lens (mm)	Detect (m)	Observe (m)	Recognize (m)	Identify (m)							
2.8	63.0	25.2	12.6	6.3							
Illuminator											
IR Range	Up to 30m (98ft) IR range										
Wavelength	850nm										
IR On/Off Control	Auto/Manual										
Video											
Video Compression	Ultra 265, H.265, H.264, MJPEG										
H.264 code profile	Baseline profile, Main profile, High profile										
Frame Rate	Main Stream: 4MP (2560*1440), Max 20fps; 3MP (2304*1296), Max 20fps; 1080P (1920*1080), Max 30fps; 720P (1280*720), Max 30fps; Sub Stream: D1 (720*576), Max 30fps; 640*360, Max 30fps; 2CIF(704*288), Max 30fps; CIF(352*288), Max 30fps;										
Video Bit Rate	128 Kbps~6 Mbps										
U-code	Support										
OSD	Up to 4 OSDs										
Privacy Mask	Up to 4 areas										
ROI	Up to 8 areas										
Motion Detection	Up to 4 areas										
Video stream	Dual streams										
Image											
White Balance	Auto/Outdoor/Fine Tune/Sodium Lamp/Locked/Auto2										
Digital Noise Reduction	2D/3D DNR										
Smart IR	Support										
Flip	Normal/Vertical/Horizontal/180°										
Dewarping	N/A										

HLC	Support
BLC	Support
Defog	Digital Defog
Events	
Basic Detection	Motion detection, Audio detection, Tampering alarm
General Function	Watermark, IP address filtering, Access policy, ARP protection, RTSP authentication, User authentication, HTTP authentication
Storage	
Edge Storage	Micro SD, up to 128 GB
Network Storage	ANR
Audio	
Audio Compression	G.711U, G.711A
Audio Bitrate	64 Kbps
Two-way Audio	N/A
Suppression	Support
Sampling Rate	8KHZ
Network	
Protocols	IPv4, IGMP, ICMP, TCP, UDP, DHCP, RTP, RTSP, RTCP, DNS, DDNS, NTP, UPnP, HTTP, HTTPS, SSL, QoS, RTMP
Compatible Integration	ONVIF (Profile S, Profile T, Profile G), API
User/Host	Up to 32 users. 2 user levels: administrator and common user
Client	Uniarch Client Uniarch APP
Web Browser	Plug-in required live view: IE 10 and above, Chrome 45 and above, Firefox 52 and above, Edge 79 and above
	Plug-in free live view: Chrome 57.0 and above, Firefox 58.0 and above, Edge 16 and above
Interface	
Audio I/O	N/A
Alarm I/O	N/A
Built-in Mic	Support
Built-in Speaker	N/A
WIFI	N/A
Network	1 * RJ45 10M/100M Base-TX Ethernet
Video Output	N/A
Certifications	
EMC	CE-EMC (EN 55032, EN 61000-3-3, EN IEC 61000-3-2, EN 55035) FCC (FCC 47 CFR part15 B)
Safety	CE LVD (EN 62368-1) CB (IEC 62368-1)
Environment	CE-RoHS (2011/65/EU; (EU)2015/863); WEEE (2012/19/EU)
Protection	IP67 (IEC 60529)
General	
Power	DC 12V±25%, PoE (IEEE 802.3af)
	Power consumption: Max 3.3W
Dimensions (Ø x H)	Ø118 x 97mm (Ø4.6" x 3.8")
Weight	0.27kg (0.60lb)
Working Environment	-30°C~60°C(-22°F ~ 140°F), Humidity: ≤95% RH (non-condensing)

Storage Environment	-30°C~60°C(-22°F ~ 140°F), Humidity: ≤95% RH (non-condensing)
Surge Protection	4KV
Reset Button	N/A

Dimensions

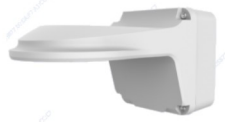


Accessories

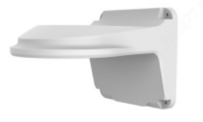
TR-JB03-I-IN
Junction Box



TR-JB07/WM03-G-IN
Wall Mount



TR-WM03-D-IN
Wall Mount



TR-UP06-IN
Pole Mount



TR-A01-IN
Waterproof Joint



TR-SE24-IN
Pendant Mount

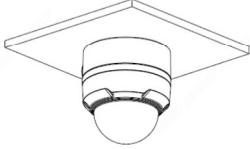
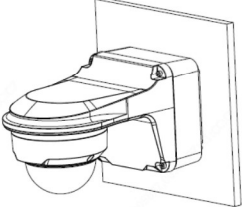
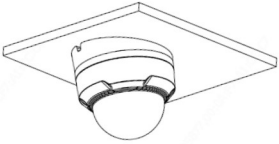
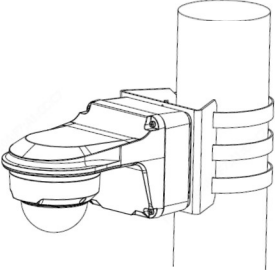
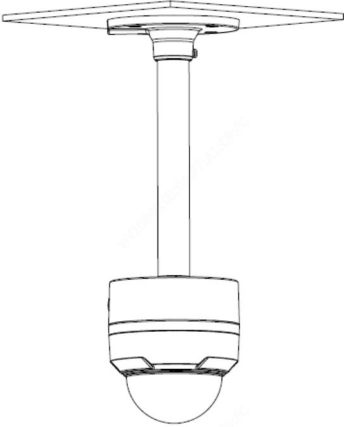


TR-SE24-A-IN
Pendant Mount



TR-CM24-IN
Pendant Mount



Junction Mount	Pole Mount
<p>TR-JB03-G-IN</p> 	<p>TR-JB07/WM03-G-IN</p> 
<p>TR-UM06-E-IN</p> 	<p>TR-JB07/WM03-G-IN+TR-UP06-IN</p> 
<p>TR-CM24-IN+TR-JB03-G-IN</p> 	

www.uniview.com/uniarch

©2023 Zhejiang Uniview Technologies Co., Ltd. All rights reserved.

*Product specifications and availability are subject to change without notice.