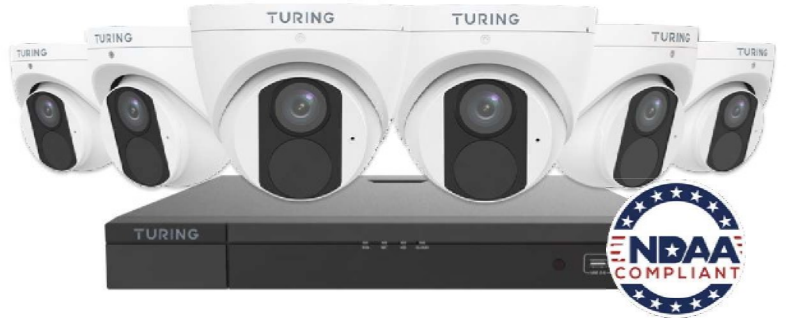


The Turing LITE network video security kit is one of the most versatile network video security kits available. While completely standalone as-is, it can be upgraded to the full Turing Vision® cloud experience for maximum peace of mind.

KEY FEATURES

- Upgradable to Turing Vision® cloud VMS
- Built-in plug-and-play POE ports
- Simultaneous HDMI & VGA output
- Bundled hard disks, up to 2 SATA slots
- 4MP (2688x1520 pixels) turret cameras
- Smart IR, up to 30m (98ft) IR distance
- 120dB true WDR technology
- IP67 environmental protection
- NDAA compliant; FCC, UL certified
- Includes Turing LITE mobile app in iOS/Android app stores



ORDER INFORMATION

KIT MODEL	DESCRIPTION	CAMERA MODEL	QTY	NVR MODEL	MAX CH.	HDD SIZE
TLK4T441	4MP Turrets x 4, 4CH PoE NVR 1TB	TLT4M28	4	TLNVR4	4	1 TB
TLK6T482	4MP Turrets x 6, 8CH PoE NVR 2TB	TLT4M28	6	TLNVR8	8	2 TB
TLKCT4F4	4MP Turrets x 12, 16CH PoE NVR 4TB	TLT4M28	12	TLNVR16	16	4 TB

CAMERA MOUNTING ACCESSORIES

MODEL NUMBER	DESCRIPTION / APPLICATION	COMPATIBLE ACCESSORIES
TP-EFDJB	Junction box	TP-UWPJ - Cable gland TP-AIPMB, TP-IPME2, TP-IPME5 - Indoor pendant mounts
TP-EFDWM	Wall mount	TP-UDPM - Pole mount
TP-EFDWJ	Wall mount w/ junction box	TP-WMCM - Corner mount
TP-EFDTM	Tilt mount	
TP-EFDPC	Pendant cap (1.5" NPT M)	TP-PCPRM - Parapet mount
TP-EFDEP	Standard single & double gang box adapter plate	



TP-EFDJB



TP-EFDWM



TP-EFDWJ



TP-EFDTM



TP-EFDPC



TP-EFDEP



TP-UDPM



TP-WMCM

TURING VISION® COMPATIBILITY



TV-SERVERBM
Turing Vision® Mini Bridge

Upgrade to Turing Vision® cloud VMS with the following components

- TV-SERVERBM - Turing Vision® Mini Bridge

AND

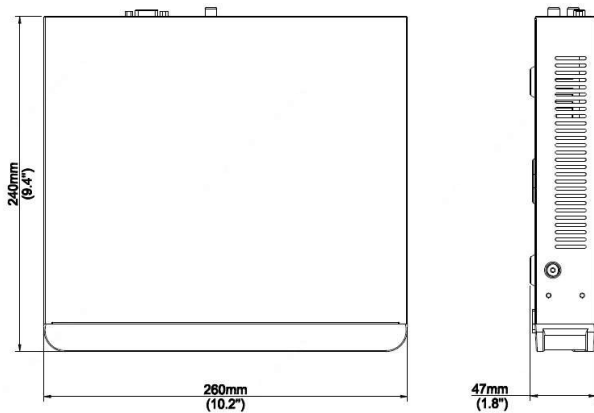
- One of the following Turing Vision® licenses for each camera:
 - Core AI - TV-CORE1Y/3Y/5Y/10Y
 - Essential - TV-ES1Y/3Y/5Y/10Y

NVR SPECIFICATIONS

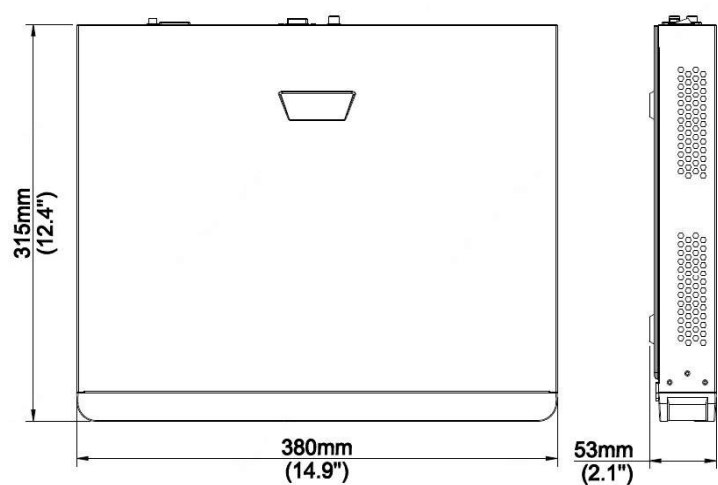
	TLNVR4	TLNVR8	TLNVR16
Video Inputs	4 POE ports	8 POE ports	16 POE ports
Input Resolution	8MP/6MP/5MP/4MP/3MP/1080p/960p/720p/ D1/2CIF/CIF		
HDMI/VGA Output	HDMI: Max 1920X1080; VGA: Max 1920X1080; Simultaneous (identical between HDMI and VGA outputs)		
Decoding Capability	Up to 1x4K, 4x1080P video streams, or 8x720P; Third party cameras may be different		
Audio I/O	Audio In: 1-ch, RCA; Audio Out: 1-ch, RCA; G.711A, G.711U		
Hard Disk Slots	1 SATA, 6TB max per drive	2 SATA, 10TB max per drive	2 SATA, 10TB max per drive
Bundled HDD	1TB x1	2TB x1	4TB x1
Data Throughput	In: 80 Mbps / Out: 64 Mbps	In: 80 Mbps / Out: 64 Mbps	In: 160 Mbps / Out: 64 Mbps
LAN Interface	1x RJ45 10M/100M/1000M self-adaptive Ethernet Interface		
Protocols	TCP/IP, P2P, UPnP, NTP, DHCP, PPPoE, HTTP, HTTPS, DNS, DDNS, SNMP, SMTP		
PoE Plug and Play	4 Ports; IEEE 802.3af/at 54W Max Total	8 Ports; IEEE 802.3af/at; 130W Max Total	16 Ports; IEEE 802.3af/at; 240W Max Total
USB Interface	Rear panel: 1xUSB2.0,1xUSB3.0		Front panel: 1 x USB2.0, Rear panel: 1 x USB3.0
Alarm In/Out	n/a	In: 4ch; Out: 1ch	
Software Clients	Included: Turing LITE app & SMART Station With cloud upgrade: Turing Vision® mobile & browser-based desktop apps		
ONVIF Compatibility	Profiles S, G, T		
Power Consumption (w/o HDD & cameras)	9W Max; 48V DC (external power adapter included)	10W Max; 100 ~ 240 V AC	
Working Environment	-10°C~+ 55°C (+14°F~+131°F), Humidity ≤ 90% RH (non-condensing)		
Dimensions & Weight	260mm × 240mm × 47mm (10.2"×9.4"×1.9"); 1kg (2.20 lb)	380mm ×315mm × 53mm (14.9" × 12.4" × 2.1"); ≤2.6kg (5.73lb)	
Rack Mount	Not Included		
Certification	CE (EN 55032: 2015, EN 61000-3-3: 2013, EN IEC 61000-3-2: 2019, EN 55035: 2017), FCC (Part15 Subpart B, ANSI C63.4), UL, RoHS, WEEE		

DIMENSIONS

TLNVR4



TLNVR8 / TLNVR16



CAMERA SPECIFICATIONS

TLT4M28	
TURING VISION® SUPPORT	Available only with the following: Turing NVR + Bridge (per site) + Essential or Core AI license (per camera)
VIDEO & AUDIO	
Image sensor	1/2.9", 4.0 megapixel, progressive scan, CMOS
Lens	2.8mm @ F2.0; 101.5° Angle of View
Minimum Illumination	Color: 0.01 lux (F2.0, AGC ON)
IR LED	Smart IR Range: Up to 30m (98ft); Wave Length: 850nm
Shutter	Auto/Manual, shutter time: 1~1/100000 s
Image Processing	WDR: 120 dB; S/N: >52dB; Noise reduction: 2D/3D; Defog: Digital
Video Encoding	Ultra 265, H.265, H.264 (Baseline profile, Main Profile, High Profile), MJPEG; ROI: Up to 8 areas
Max Resolution	Main Stream: 4MP (2688x1520) @ Max 20fps; Sub Stream: D1 (720x576) @ Max 30fps
On-screen Overlay	OSD: Up to 4 OSD; Privacy Mask: Up to 4 areas
White Balance	Auto/Outdoor/Fine Tune/Sodium Lamp/Locked/Auto2
Image Rotation	Normal/Flip Vertical/ Flip Horizontal/180°
Audio	I/O: Built-in Mic; Compression: G.711, 64 Kbps, 8KHz, audio suppression
Onboard Storage	microSD slot (SD card not included); up to 256GB
Event Handling	Motion detection; Smart motion (person & vehicle classification) only with Vision licenses
NETWORK ACCESSIBILITY & SECURITY	
Protocols	IPv4, IPv6 ,IGMP, ICMP, ARP, TCP, UDP, DHCP, RTP, RTSP, RTCP, DNS, DDNS, NTP, FTP, UPnP, HTTP, HTTPS, SMTP, SNMP, QoS, RTMP,SSL/TLS
Compatible Integration	ONVIF (Profile S, Profile G, Profile T), API,SDK
User/Host	Up to 32 users, 2 user levels: administrator and common user
Security	Password protection, Strong password, HTTPS encryption, Export operation logs, Basic and digest authentication for RTSP, Digest authentication for HTTP, TLS 1.2, WSSE and digest authentication for ONVIF
Network	1 RJ45 10M/100M Base-TX Auto-adaptive Ethernet
GENERAL	
EMC	CE-EMC (EN 55032,EN 61000-3-3,EN IEC 61000-3-2,EN 55035); FCC (FCC 47 CFR part15 B)
Safety Certification	CE LVD (EN 62368-1); CB (IEC 62368-1); UL/CUL (UL 62368-1, CAN/CSA C22.2 No. 62368-1)
Power	DC12V±25%,PoE (IEEE 802.3af); Max. 4.0W; Surge Protection: 4KV
Dimensions & Weight	Φ118 x 96mm (Φ4.6" x 3.8"); 0.30kg (0.66lb)
Working & Storage Environment	-30°C ~ 60°C (-22°F ~ 140°F), Humidity: ≤95% RH (non-condensing)
Reset Button	Not Available
Ingress Protection	IP67 (IEC 60529)

DIMENSIONS

TLT4M28

