



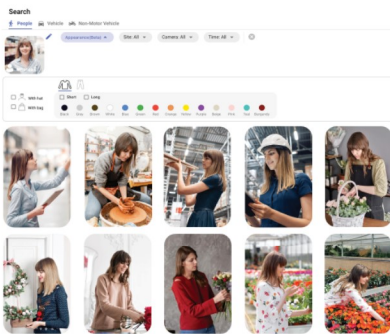
The TP-X4D5AV2-1Y is a versatile Smart Series multisensor camera perfect for open areas. Four cameras can be adjusted to look at different angles from within the same house. Comes with TV-CORE1Y license for people* and vehicle attributes and cloud events for each channel.

KEY FEATURES

- 5MP x 4 independently adjustable sensors
- 2.7-13.5mm motorized zoom lens
- Manual pan and tilt adjustment with image rotation
- 130dB WDR and TwilightVision™ technology
- Built-in mic, alarm and audio I/O
- Connects to TURING VISION® cloud VMS via Turing Smart Series NVR
- Includes TV-CORE1Y licenses
- Up to 10-year extended warranty with CORE AI license
- NDAA compliant



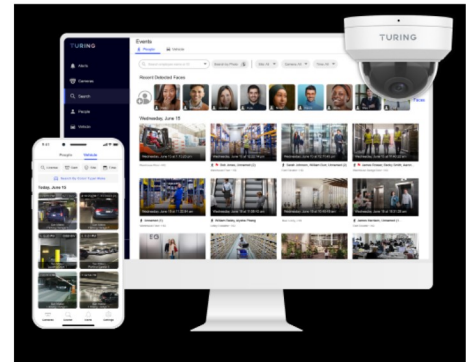
EMPOWER VIDEO SECURITY WITH TURING VISION® AND CORE AI



People* & vehicle attribute search



License plate detection and comparison



Customized smart alerts anywhere using Vision apps

*Activation depends on state regulations and the compliance with Biometric Information Protection Act (BIPA). Please refer to our privacy policy.

Visit turing.ai/get-core to find out more about CORE AI





SPECIFICATIONS

MODEL NUMBER	TP-X4D5AV2-1Y
TURING VISION ® SUPPORT	
TURING VISION ® Cloud VMS	Included
CORE AI License	Includes TV-CORE1Y; extensions and add-ons available
Prerequisites	Turing SMART Series NVR & bridge NVR Compatibility: TR-MRP042G2-B, TR-MRP082G2-B, TR-MRP164G2-B, TR-MR32R-B, TR-MR64R-B
VIDEO & AUDIO	
Channel	4
Image sensor	1/2.7", 5.0 megapixel, progressive scan, CMOS
Lens	Focal Length: 2.7-13.5 mm @F1.2; Angle of view: HHOV:110.3°~31°; VHOV:57.1°~17.5°; DHOV130.2°~67.4°
Minimum Illumination	Color: 0.002 lux (F1.6, AGC ON); 0 lux with IR on
IR LED	IR LED Range: Up to 50m (164ft); 850nm
Shutter	Auto/Manual, shutter time: 1/25~1/100000 s
Image Processing	WDR: 130 dB; S/N: >56dB; Noise reduction: 2D/3D; Defog: Digital Defog
Video Encoding	Ultra 265, H.265, H.264 (Baseline profile, Main Profile, High Profile), MJPEG; ROI: Up to 8 areas
Available Resolution and Frame Rate	Main Stream: Up to 5MP(2688x1620) ,Max 30fps Sub Stream: Up to 720P (1280x720), Max 30fps Third Stream: Up to D1 (720x576), Max 30fps
On-screen Overlay	OSD: Up to 10 OSD; Privacy Mask: Up to 8 areas
White Balance	Auto/Outdoor/Fine Tune/Sodium Lamp/Locked/Auto2
Image Rotation	Normal; Flip Vertical; Flip Horizontal; 180°; 90°Clockwise; 90°Anti-clockwise
Audio & Alarm I/O	Built-in Mic, audio I/O, Alarm I/O
Audio Compression	G.711, 64 Kbps, 8KHz, audio suppression
Onboard Storage	microSD slot (SD card not included); up to 1TB
Event Handling	
DORI	Detect: 232ft~812ft; Observe: 93ft ~ 324ft; Recognize: 46ft~162ft; Identify: 23ft~81ft
Event Type	Basic: motion detection, tampering alarm, audio detection; Intelligent: cross Line, intrusion, enter area, with people, vehicle, and non-motor vehicle classifications
NETWORK ACCESSIBILITY & SECURITY	
Protocols	IPv4, IGMP, ICMP, ARP, TCP, UDP, DHCP, PPPoE, RTP, RTSP, RTCP, DNS, DDNS, NTP, FTP, UPnP, HTTP, HTTPS, SMTP, 802.1x, SNMP, QoS, RTMP, SSH
Compatible Integration	ONVIF (Profile S, Profile G, Profile T, Profile M), API,SDK
User/Host	Up to 32 users. 3 user levels: administrator and common user
Security	Password protection, Strong password, HTTPS encryption, Export operation logs, Basic and digest authentication for RTSP, Digest authentication for HTTP, TLS 1.2, WSSE and digest authentication for ONVIF
Network	1 RJ45 10M/100M/1000M Base-TX Auto-adaptive Ethernet
GENERAL	
EMC	CE-EMC (EN 55032,EN 61000-3-3,EN IEC 61000-3-2,EN 55035) FCC (FCC 47 CFR part15 B)
Safety Certification	CE LVD (EN 62368-1); CB (IEC 62368-1); UL/CUL (UL 62368-1, CAN/CSA C22.2 No. 62368-1)
Power	DC 24V±25%; AC 24V±25%; PoE (IEEE 802.3bt); Max. 31W; Surge Protection: 6KV
Dimensions & Weight	318 × 318 × 136.6mm (12.5" × 12.5" × 5.3"), 4.77kg (10.52lb)
Working Environment	-30°C ~ 60°C (-22°F ~ 140°F), Humidity: ≤95% RH (non-condensing)
Storage Environment	-30°C ~ 60°C (-22°F ~ 140°F), Humidity: ≤95% RH (non-condensing)
Reset Button	Yes
Environmental Protection	Ingression protection: IP67; Vandal resistance

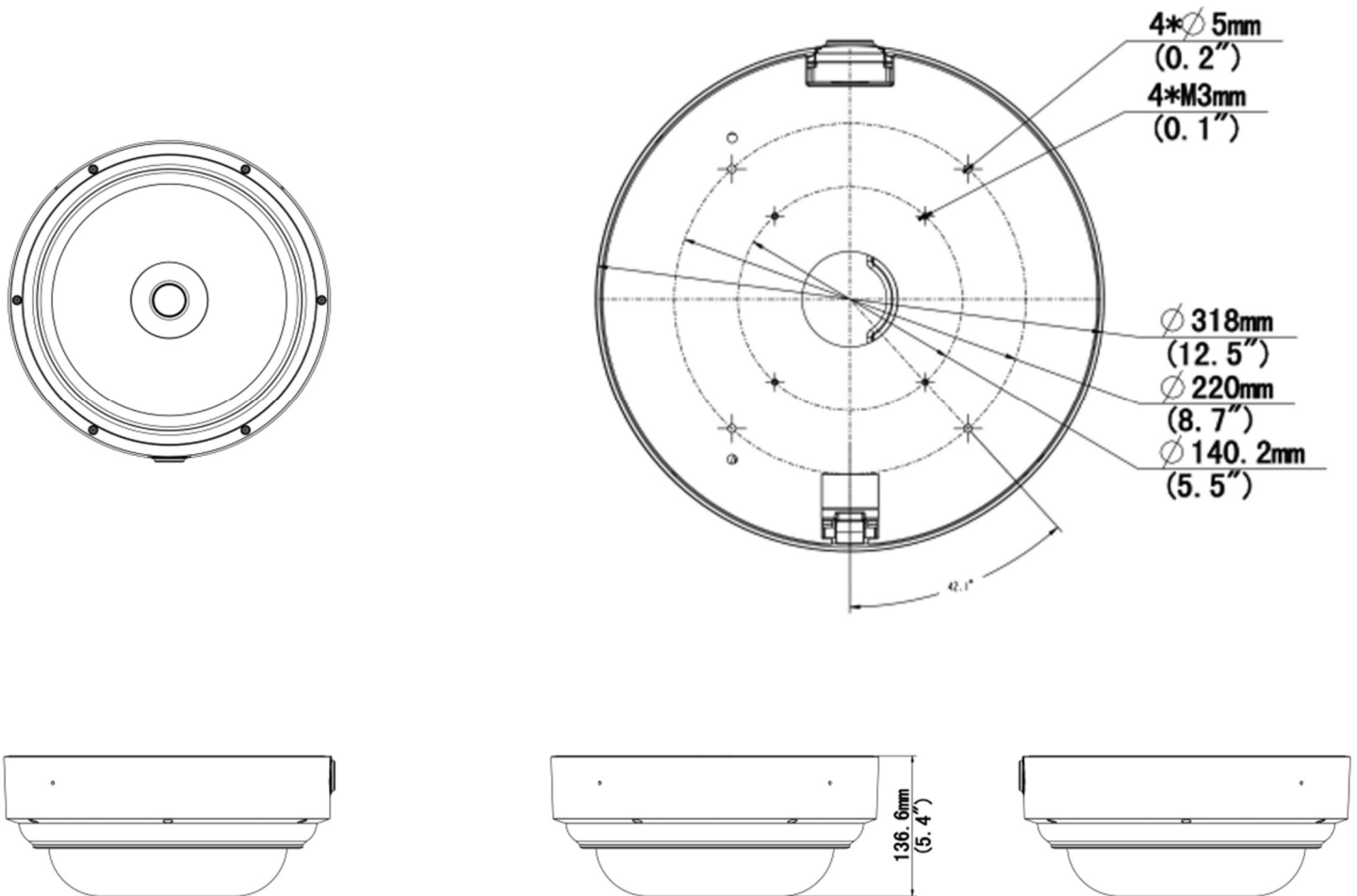
**All specifications are subject to change without further notice

ORDERING INFORMATION

MODEL NUMBER	Bundled CORE AI	CORE AI License Add-On
TP-X4D5AV2-1Y	TV-CORE1Y 1-Year License	TV-CORE1Y/3Y/5Y; TV-UPG2Y/4Y/9Y



DIMENSIONS



MOUNTING ACCESSORIES

MODEL NUMBER	DESCRIPTION / APPLICATION	COMPATIBLE ACCESSORIES
TP-X4DPC (purchase separately)	Pendant Cap	TP-PCWM - Wall mount TP-PCRPM - Parapet mount TP-PCPDMB - Pendant mount