



TP-X2EAD8MPR-1Y

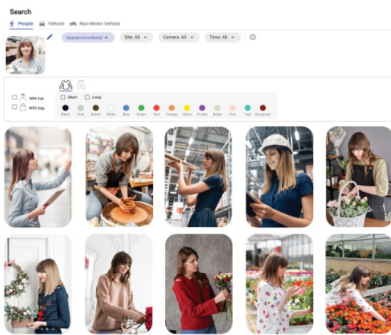
Experience complete wide-area security with the **TP-X2EADM8PR-1Y**, a panoramic dual-sensor active deterrence camera. It seamlessly combines two 4MP sensors to create a single, ultra-wide 180° view with a stunning 21:9 aspect ratio. Engineered for superior deterrence, it features Tri-Light technology with red and blue strobes. The camera comes ready with a TV-CORE1Y license, enabling advanced people and vehicle analytics directly from the cloud.



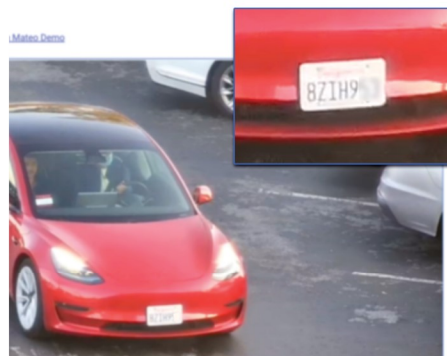
KEY FEATURES

- 8MP, 1/2.5" CMOS sensors, F1.0
- 180° view progressive scan stitched image
- Active deterrence with audible and strobe light.
- Tri-light technology: warm light, IR and strobe light
- Built-in dual mic and speaker, alarm & audio I/O
- Connects to TURING VISION ® cloud VMS via Turing Smart Series NVR
- Includes a TV-CORE1Y license
- Up to 10-year extended warranty with CORE AI license
- NDAA compliant

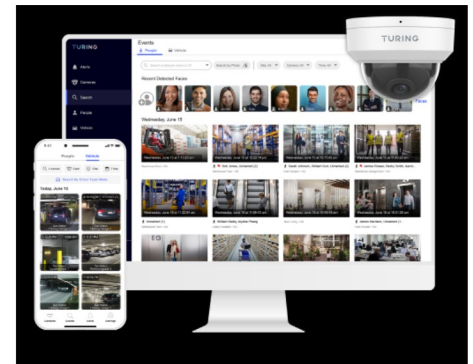
EMPOWER VIDEO SECURITY WITH TURING VISION ® AND CORE AI



People* & vehicle attribute search



License plate detection and comparison



Customized smart alerts anywhere using Vision apps

*Activation depends on state regulations and the compliance with Biometric Information Protection Act (BIPA). Please refer to our privacy policy.

Visit turing.ai/get-core to find out more about CORE AI





TP-X2EAD8MPR-1Y

SPECIFICATIONS

MODEL NUMBER	TP-X2EAD8MPR-1Y
TURING VISION ® SUPPORT	
TURING VISION ® Cloud VMS	Included
CORE AI License	Includes TV-CORE1Y; extensions and add-ons available
Prerequisites	Turing SMART Series NVR & bridge
VIDEO & AUDIO	
Image sensor	1/2.5", 8.0 megapixel (stitched) progressive scan CMOS
Lens	Focal Length: 2.8 mm @ F1.0; Angle of view: HFOV:180° Horizontal, VHOV:65°, DHOV:180°
Minimum Illumination	Color: 0.0005 lux (F1.0, AGC ON)
Supplemental LED	Warm Light & IR LED Range: Up to 30m (98ft); visible
Shutter	Auto/Manual, shutter time: 1~1/100000 s
Image Processing	WDR: 130 dB; S/N: >52dB; Noise reduction: 2D/3D; Defog: Digital Defog
Video Encoding	Ultra 265, H.265, H.264 (Baseline profile, Main Profile, High Profile), MJPEG; ROI: Up to 8 areas
Available Resolution and Frame Rate	Main Stream: Up to 8MP(4096x1860) ,Max 20fps Sub Stream: Up to 960P (204x936), Max 20fps
On-screen Overlay	OSD: Up to 8 OSD; Privacy Mask: Up to 4 areas
White Balance	Auto/Outdoor/Fine Tune/Sodium Lamp/Locked/Auto2
Image Rotation	Not available
Audio & Alarm I/O	Built-in Mic, built-in speaker(~3W), audio I/O, Alarm I/O
Audio Compression	G.711, 64 Kbps, 8KHz, audio suppression
Onboard Storage	microSD slot (SD card not included); up to 512GB
Event Handling	
DORI	Detect:206.7ft; Observe:82.7ft; Recognize:41.3ft; Identify: 20.7ft
Event Type	Basic: motion detection, tampering alarm, audio detection; Intelligent: cross line, intrusion and enter area with people, vehicle, and non-motor vehicle classifications
NETWORK ACCESSIBILITY & SECURITY	
Protocols	IPv4, IGMP, ICMP, ARP, TCP, UDP, DHCP, PPPoE, RTP, RTSP, RTCP, DNS, DDNS, NTP, FTP, UPnP, HTTP, HTTPS, SMTP, 802.1x, SNMP, QoS, RTMP, SSH
Compatible Integration	ONVIF (Profile S, Profile G, Profile T), API, SDK
User/Host	Up to 32 users. 3 user levels: administrator and common user
Security	Password protection, Strong password, HTTPS encryption, Export operation logs, Basic and digest authentication for RTSP, Digest authentication for HTTP, TLS 1.2, WSSE and digest authentication for ONVIF
Network	1 RJ45 10M/100M Base-TX Auto-adaptive Ethernet
GENERAL	
EMC	CE-EMC (EN 55032,EN 61000-3-3,EN IEC 61000-3-2,EN 55035) FCC (FCC 47 CFR part15 B)
Safety Certification	CE LVD (EN 62368-1); CB (IEC 62368-1); UL/CUL (UL 62368-1, CAN/CSA C22.2 No. 62368-1)
Power	DC12V±25%,PoE (IEEE 802.3af); Max. 12.6W; Surge Protection: 4KV
Dimensions & Weight	128.7 × 109.9 mm (5.1" × 4.3"), 0.86kg (1.9lb)
Working Environment	-30°C ~ 60°C (-22°F ~ 140°F), Humidity: ≤95% RH (non-condensing)
Storage Environment	-30°C ~ 60°C (-22°F ~ 140°F), Humidity: ≤95% RH (non-condensing)
Reset Button	Yes
Environmental Protection	Ingression protection: IP67; IK10

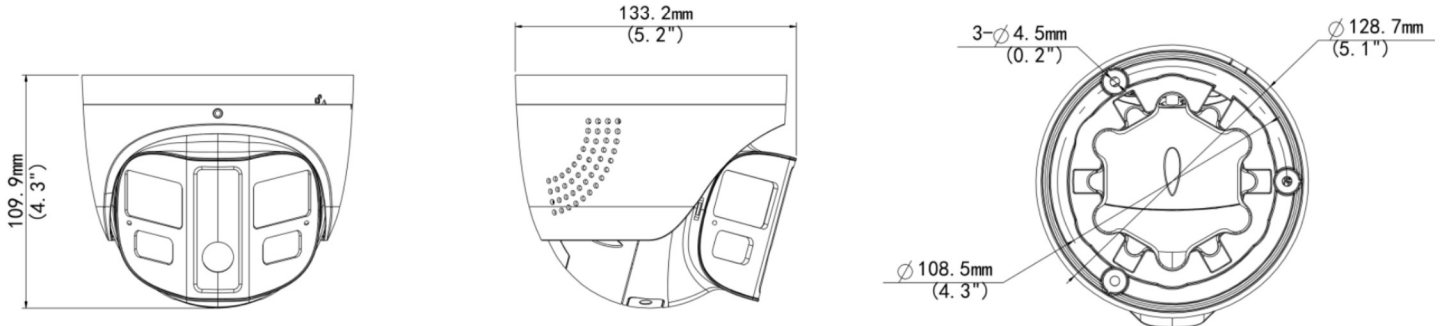
ORDERING INFORMATION

MODEL NUMBER	Bundled CORE AI	CORE AI License Add-On
TP-X2EAD8MPR-1Y	TV-CORE1Y 1-Year License	TV-CORE1Y/3Y/5Y; TV-UPG2Y/4Y/9Y



TP-X2EAD8MPR-1Y

DIMENSIONS

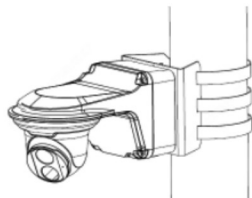


MOUNTING ACCESSORIES

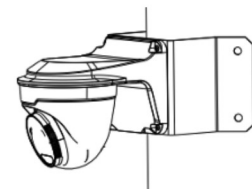
MODEL NUMBER	DESCRIPTION / APPLICATION	COMPATIBLE ACCESSORIES
TP-VDJB	Junction Box	TP-UWPJ - 3/4" waterproof cable gland (not included)
TP-VDWM	Wall mount	TP-UWPJ - 3/4" waterproof cable gland (not included) TP-UDPM - Pole mount TP-WMCM - Corner mount
TP-VDWJ	Wall mount with junction box	TP-UWPJ - 3/4" waterproof cable gland (not included) TP-UDPM - Pole mount TP-WMCM - Corner mount
TP-VDPC	Pendant Cap (1.5" NPT)	TP-PCWM - PTZ wall mount arm TP-PCPRM - PTZ Parapet mount TP-PCPDMB - PTZ Pendant mount



Ceiling mount with TP-VDJB



Pole mounted w/ TP-VDWJ wall mount & TP-UDPM pole mount



Corner mounted w/ TP-VDWM wall mount & TP-WMCM corner mount