

SMART Series Active Deterrence Turret Camera TP-MEAD8MA28



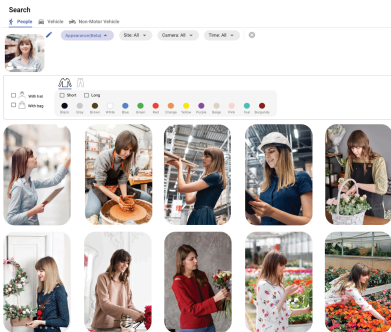
The Smart Series turret camera **TP-MEAD8MA28** features a 8 megapixel high-resolution sensor and active deterrence capabilities. It supports dual white and IR LED lights and includes blue and red strobe lights for enhanced nighttime security.

KEY FEATURES

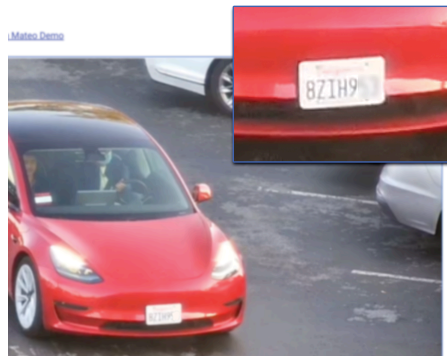
- 8MP high quality sensor with 1/1.28" CMOS
- Active lights and audible deterrence with built-in or audio in microphone and speaker.
- People and vehicle detection on the edge.
- White and IR LED light & blue/red strobe light
- 130dB true WDR with Intelligent
- Connects to TURING VISION® cloud VMS via Turing Smart Series NVR
- NDAA compliant



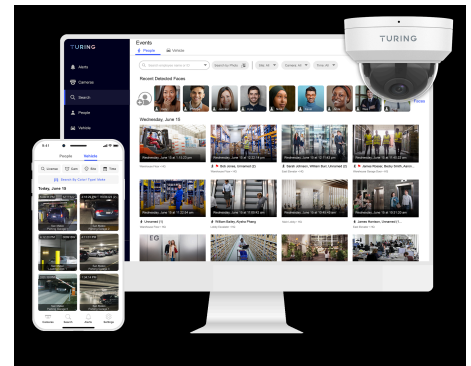
EMPOWER VIDEO SECURITY WITH TURING VISION® AND CORE AI



People* & vehicle attribute search



License plate detection and comparison



Customized smart alerts anywhere using Vision apps

*Activation depends on state regulations and the compliance with Biometric Information Protection Act (BIPA). Please refer to our privacy policy.

Visit turing.ai/get-core to find out more about CORE AI





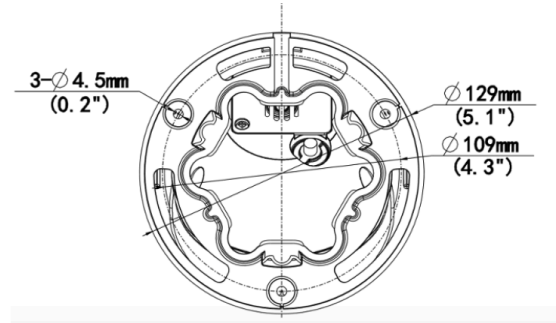
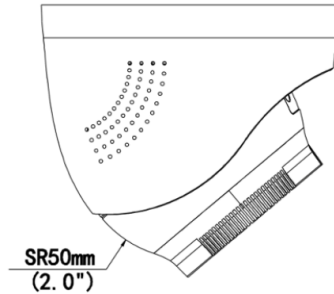
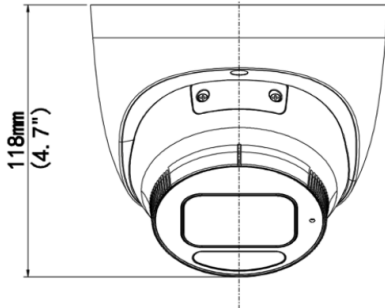
SPECIFICATIONS

MODEL NUMBER		TP-MEAD8MA28
TURING VISION ® SUPPORT		
TURING VISION ® Cloud VMS	Included	
Prerequisites	Turing SMART Series NVR & bridge	
CORE AI License	Supported	
VIDEO & AUDIO		
Image sensor	1/2.8" 8MP 16:9 Progressive Scan CMOS	
Lens	Focal Length: 2.8mm @ F1.0; HHOV:106.5°, VHOV:57.9°, DHOV:132.0°	
Minimum Illumination	Color: 0.001Lux (F1.0, AGC ON); 0 Lux with IR in B&W night mode	
LED	IR and White light Range: Up to 30m (98 ft); IR Wave Length: 850nm	
Shutter	Auto/Manual, shutter time: 1~1/100000 s	
Image Processing	WDR: 130 dB, Intelligent WDR; S/N: >56dB; Noise reduction: 2D/3D; Defog: Supported; HLC/BLC: Supported; BLC: Supported	
Video Encoding	Ultra 265, H.265, H.264 (Baseline profile, Main Profile, High Profile), MJPEG; ROI: Up to 8 areas	
Available Modes and Resolution	Main Stream: 8MP(3840x2160)@30fps, 5MP (3072x1728)@30fps, 4MP(2688x1520)@30fps, 2560x1440@30fps; 2304x1926@30fps, 1920x1080@30fps, 1280x720@30fps; Sub Stream: 1920x1080@30fps, 1280x720@30fps, 720x576@30fps, 640x360@30fps, 704x288@30fps, 352x288@30fps Third Stream: 720*576@30fps, 640x360@30fps, 704x288@30fps, 352x288@30fps	
On-screen Overlay	OSD: Up to 8 OSD; Privacy Mask: Up to 4 areas; ROI: up to 8 areas	
White Balance	Auto / Outdoor / Fine Tune / Sodium Lamp / Locked / Auto2	
Image Rotation	Normal / Vertical / Horizontal / 180° / 90° Clockwise / 90°Counterclockwise	
Audio I/O	Built-in Mic; Audio In: 1: 35 kΩ, amplitude 2 V [p-p] Built-in Speaker; Audio Out: 1: impedance 600 Ω, amplitude 2 V [p-p]	
Audio Compression	G.711; G.711A, 64 Kbps, 8KHz, audio suppression; Two-way Audio: Supported	
Alarm I/O	Alarm In: 1; Alarm Out: 1	
Onboard Storage	microSD slot (SD card not included); up to 512GB	
Event Handling		
DORI	Detect: 285ft; Observe: 114ft; Recognize: 57ft; Identify: 28ft	
Event Type	Basic: motion detection, tampering alarm, audio detection; Intelligent: cross Line, intrusion and enter area with people, vehicle, and non-motor vehicle classifications	
NETWORK ACCESSIBILITY & SECURITY		
Protocols	IPv4, IGMP, ICMP, ARP, TCP, UDP, DHCP, PPPoE, RTP, RTSP, RTCP, DNS, DDNS, NTP, FTP, UPnP, HTTP, HTTPS, SMTP, 802.1x, SNMP, QoS, RTMP, SSH	
Compatible Integration	ONVIF (Profile S, Profile G, Profile T, Profile M), API, SDK	
User/Host	Up to 32 users. 2 user levels: administrator and common user	
Security	Password protection, Strong password, HTTPS encryption, Export operation logs, Basic and digest authentication for RTSP, Digest authentication for HTTP, TLS 1.2, WSSE and digest authentication for ONVIF	
Network	1 RJ45 10M/100M Base-TX Auto-adaptive Ethernet	
GENERAL		
EMC	CE-EMC (EN 55032, EN 61000-3-3, EN IEC 61000-3-2, EN 50130) FCC (FCC 47 CFR part15 B)	
Safety Certification	CE-LVD (EN 62368-1) CB (IEC 62368-1) UL/CUL (UL 62368-1, CAN/CSA C22.2 No. 62368-1)	
Power	DC12V±25%, PoE (IEEE 802.3af); Max. 10W; Surge Protection: 4KV	
Dimensions & Weight	129mm x 118mm (5.1"x4.7"), 0.69kg(1.53lb)	
Working Environment	-30°C ~ 60°C (-22°F ~ 140°F), Humidity: ≤95% RH (non-condensing)	
Storage Environment	-30°C ~ 60°C (-22°F ~ 140°F), Humidity: ≤95% RH (non-condensing)	
Reset Button	Supported	
Environmental Protection	Ingression protection: IP67; Vandal resistance: IK10	

**All specifications are subject to change without further notice

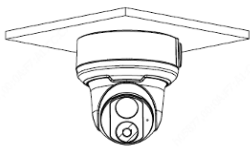


DIMENSIONS

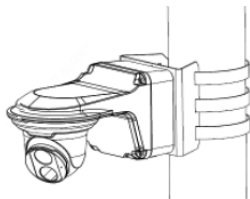


MOUNTING ACCESSORIES

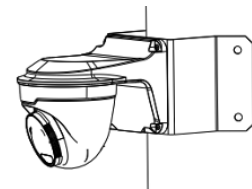
MODEL NUMBER	DESCRIPTION / APPLICATION	COMPATIBLE ACCESSORIES
TP-VDJB	Junction Box	TP-UWPJ - 3/4" waterproof cable gland (not included)
TP-VDWM	Wall mount	TP-UWPJ - 3/4" waterproof cable gland (not included) TP-UDPM - Pole mount TP-WMCM - Corner mount
TP-VDWJ	Wall mount with junction box	TP-UWPJ - 3/4" waterproof cable gland (not included) TP-UDPM - Pole mount TP-WMCM - Corner mount
TP-VDPC	Pendant Cap (1.5" NPT)	TP-PCWM - PTZ wall mount arm TP-PCPRM - PTZ Parapet mount TP-PCPDMB - PTZ Pendent mount



Ceiling mount with TP-VDJB



Pole mounted w/ TP-VDWJ wall mount & TP-UDPM pole mount



Corner mounted w/ TP-VDWM wall mount & TP-WMCM corner mount