

SMART Series 4MP Dual Dome Network Camera TP-X2D4M28-1Y



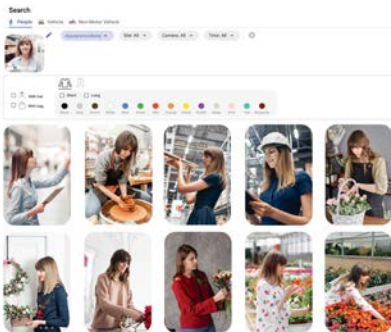
The TP-X2D4M28-1Y dual dome camera includes two separate camera modules combined into the same housing. This camera is capable of look at two different directions with a single cable run. Comes with two TV-CORE1Y licenses, one for each camera, for people* and vehicle attributes and cloud events.

KEY FEATURES

- 4MP 16:9 progressive scan sensors x2
- Two fully independent video streams
- Built-in mic
- Connects to TURING VISION ® cloud VMS via Turing Smart Series NVR
- Includes two TV-CORE1Y licenses
- Up to 10-year extended warranty with CORE AI license
- NDAA compliant



EMPOWER VIDEO SECURITY WITH TURING VISION ® AND CORE AI



People* & vehicle attribute search



License plate detection and comparison



Customized smart alerts anywhere using Vision apps

*Activation depends on state regulations and the compliance with Biometric Information Protection Act (BIPA). Please refer to our privacy policy.

Visit turing.ai/get-core to find out more about CORE AI





SPECIFICATIONS

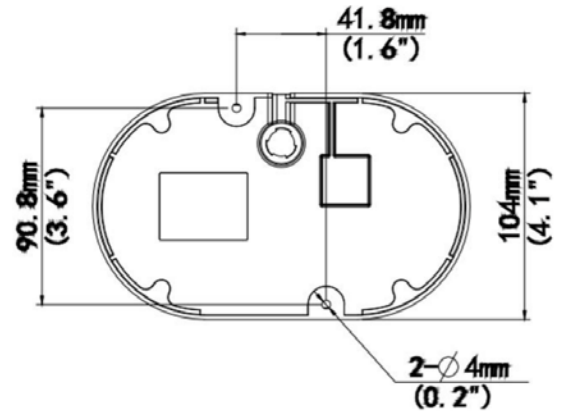
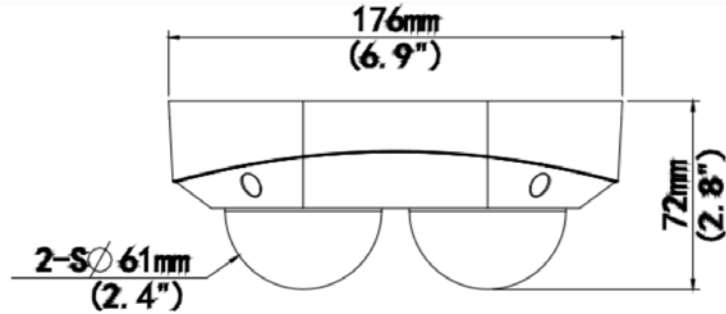
MODEL NUMBER	TP-MEP5M16-1Y
TURING VISION ® SUPPORT	
TURING VISION ® Cloud VMS	Included
CORE AI License	Includes TV-CORE1Y; extensions and add-ons available
Prerequisites	Turing SMART Series NVR & bridge
VIDEO & AUDIO	
Image sensor	1/3.0", 4.0 megapixel, 16:9, progressive scan, CMOS
Lens	Focal Length: 2.8mm @ F1.6; Angle of view: 97.7° Horizontal
Minimum Illumination	Color:0.002 (F1.6, AGC ON); 0 Lux with IR in B&W night mode
IR LED	Smart IR Range: Up to 30m (98ft); Wave Length: 850nm
Shutter	Auto/Manual, shutter time: 1~1/100000 s
Image Processing	WDR: 130 dB; S/N: >52dB; Noise reduction: 2D/3D; Defog: Digital Defog
Video Encoding	Ultra 265, H.265, H.264 (Baseline profile, Main Profile, High Profile), MJPEG; ROI: Up to 8 areas
Available Resolution and Frame Rate	Main Stream: Up to 4MP(2688*1520) ,Max 20fps Sub Stream: Up to 720P (1280*720), Max 30fps Third Stream: Up to D1 (720*576), Max 30fps
On-screen Overlay	OSD: Up to 8 OSD; Privacy Mask: Up to 4 areas
White Balance	Auto/Outdoor/Fine Tune/Sodium Lamp/Locked/Auto2
Image Rotation	Normal/Flip Vertical/ Flip Horizontal/180°
Audio & Alarm I/O	Built-in Mic, audio I/O, Alarm I/O
Audio Compression	G.711, 64 Kbps, 8KHz, audio suppression
Onboard Storage	microSD slot (SD card not included); up to 256GB
NETWORK ACCESSIBILITY & SECURITY	
Protocols	IPv4, IGMP, ICMP, ARP, TCP, UDP, DHCP, PPPoE, RTP, RTSP, RTCP, DNS, DDNS, NTP, FTP, UPnP, HTTP, HTTPS, SMTP, 802.1x, SNMP, QoS, RTMP, SSH
Compatible Integration	ONVIF (Profile S, Profile G, Profile T), API,SDK
User/Host	Up to 32 users. 3 user levels: administrator and common user
Security	Password protection, Strong password, HTTPS encryption, Export operation logs, Basic and digest authentication for RTSP, Digest authentication for HTTP, TLS 1.2, WSSE and digest authentication for ONVIF
Network	1 RJ45 10M/100M Base-TX Auto-adaptive Ethernet
GENERAL	
EMC	CE-EMC (EN 55032,EN 61000-3-3,EN IEC 61000-3-2,EN 55035) FCC (FCC 47 CFR part15 B)
Safety Certification	CE LVD (EN 62368-1); CB (IEC 62368-1); UL/CUL (UL 62368-1, CAN/CSA C22.2 No. 62368-1)
Power	DC12V±25%,PoE (IEEE 802.3af); Max. 9.1W; Surge Protection: 4KV
Dimensions & Weight	176×104×72mm (6.9" × 4.1" ×2.8"), 0.62kg (1.37lb)
Working Environment	-30°C ~ 60°C (-22°F ~ 140°F), Humidity: ≤95% RH (non-condensing)
Storage Environment	-30°C ~ 60°C (-22°F ~ 140°F), Humidity: ≤95% RH (non-condensing)
Reset Button	Present
Environmental Protection	Ingression protection: IP67; Vandal resistance: IK10

ORDERING INFORMATION

MODEL NUMBER	Bundled CORE AI	CORE AI License Add-On
TP-X2D4M28-1Y	TV-CORE1Y 1-Year License x2	TV-CORE1Y/3Y/5Y; TV-UPG2Y/4Y/9Y (Each sensor licensed separately)

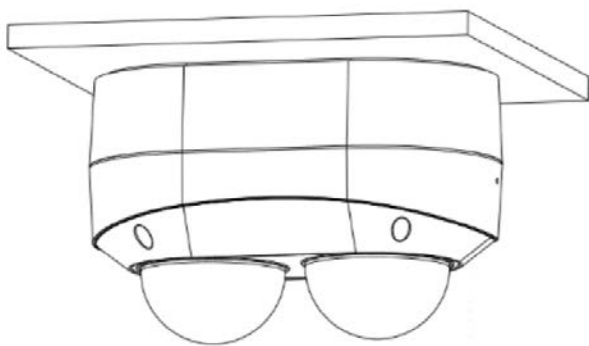


DIMENSIONS

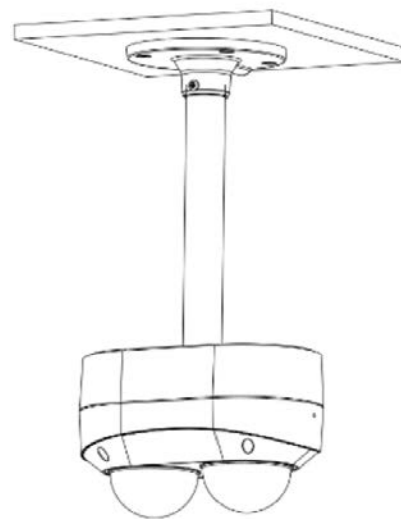


MOUNTING ACCESSORIES

MODEL NUMBER	DESCRIPTION / APPLICATION	COMPATIBLE ACCESSORIES
TP-X2DJB	Junction Box	TP-AIPMB - 200mm indoor pendant base TP-IPME2 - 200mm indoor pendant extension (requires base) TP-IPME5 - 500mm indoor pendant extension (requires base) TP-UWPJ - 3/4" waterproof cable gland



Ceiling mounted w/ TP-X2DJB



Pendant mounted w/ TP-AIPMB & TP-X2DJB