

SMART Series 8MP Panoramic Dual Sensor Camera TP-X2B8MPR-1Y



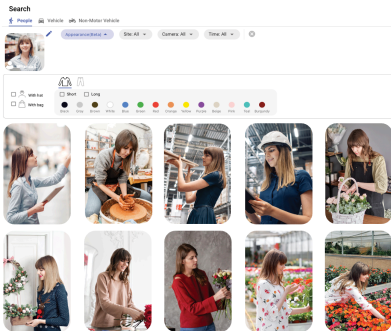
The TP-X2B8MPR-1Y panoramic dual sensor camera includes two 4MP sensors stitched into a single image. This 32:9 180-degree image produces an ultrawide view with minimal curvature. Comes with a TV-CORE1Y license for people* and vehicle attributes and cloud events.

KEY FEATURES

- 8MP 32:9 progressive scan stitched images
- Full color low light performance with warm light LED
- Built-in mic, built-in speaker, alarm I/O
- Connects to TURING VISION® cloud VMS via Turing Smart Series NVR
- Includes a TV-CORE1Y license
- Up to 10-year extended warranty with CORE AI license
- NDAA compliant



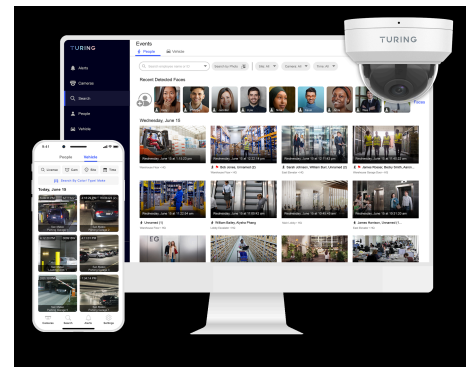
EMPOWER VIDEO SECURITY WITH TURING VISION® AND CORE AI



People* & vehicle attribute search



License plate detection and comparison



Customized smart alerts anywhere using Vision apps

*Activation depends on state regulations and the compliance with Biometric Information Protection Act (BIPA). Please refer to our privacy policy.

Visit turing.ai/get-core to find out more about CORE AI





SPECIFICATIONS

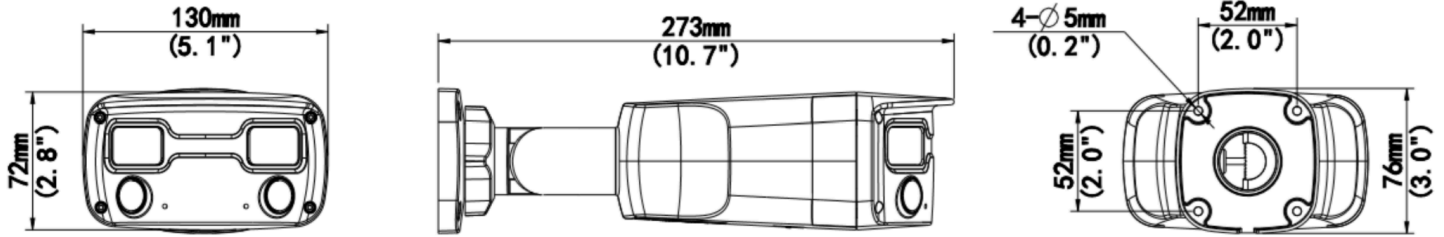
MODEL NUMBER	TP-X2B8MPR-1Y
TURING VISION ® SUPPORT	
TURING VISION ® Cloud VMS	Included
CORE AI License	Includes TV-CORE1Y; extensions and add-ons available
Prerequisites	Turing SMART Series NVR & bridge
VIDEO & AUDIO	
Image sensor	1/2.7", 8.0 megapixel (stitched), 32:9 aspect ratio, progressive scan, CMOS
Lens	Focal Length: 4mm @ F1.0; Angle of view: 180±10° Horizontal
Minimum Illumination	Color: 0.0005 lux (F1.0, AGC ON)
Supplemental LED	Warm Light LED Range: Up to 30m (98ft); visible
Shutter	Auto/Manual, shutter time: 1~1/100000 s
Image Processing	WDR: 130 dB; S/N: >52dB; Noise reduction: 2D/3D; Defog: Digital Defog
Video Encoding	Ultra 265, H.265, H.264 (Baseline profile, Main Profile, High Profile), MJPEG; ROI: Up to 8 areas
Available Resolution and Frame Rate	Main Stream: Up to 8MP(5120x1440) ,Max 20fps Sub Stream: Up to 720P (2560*720), Max 20fps
On-screen Overlay	OSD: Up to 8 OSD; Privacy Mask: Up to 4 areas
White Balance	Auto/Outdoor/Fine Tune/Sodium Lamp/Locked/Auto2
Image Rotation	Not available
Audio & Alarm I/O	Built-in Mic, built-in speaker, audio I/O, Alarm I/O
Audio Compression	G.711, 64 Kbps, 8KHz, audio suppression
Onboard Storage	microSD slot (SD card not included); up to 256GB
NETWORK ACCESSIBILITY & SECURITY	
Protocols	IPv4, IGMP, ICMP, ARP, TCP, UDP, DHCP, PPPoE, RTP, RTSP, RTCP, DNS, DDNS, NTP, FTP, UPnP, HTTP, HTTPS, SMTP, 802.1x, SNMP, QoS, RTMP, SSH
Compatible Integration	ONVIF (Profile S, Profile G, Profile T), API, SDK
User/Host	Up to 32 users. 3 user levels: administrator and common user
Security	Password protection, Strong password, HTTPS encryption, Export operation logs, Basic and digest authentication for RTSP, Digest authentication for HTTP, TLS 1.2, WSSE and digest authentication for ONVIF
Network	1 RJ45 10M/100M Base-TX Auto-adaptive Ethernet
GENERAL	
EMC	CE-EMC (EN 55032,EN 61000-3-3,EN IEC 61000-3-2,EN 55035) FCC (FCC 47 CFR part15 B)
Safety Certification	CE LVD (EN 62368-1); CB (IEC 62368-1); UL/CUL (UL 62368-1, CAN/CSA C22.2 No. 62368-1)
Power	DC12V±25%,PoE (IEEE 802.3af); Max. 13W; Surge Protection: 4KV
Dimensions & Weight	273 × 130 × 76mm (10.7" × 5.1" × 3.0"), 0.96kg (2.12lb)
Working Environment	-30°C ~ 60°C (-22°F ~ 140°F), Humidity: ≤95% RH (non-condensing)
Storage Environment	-30°C ~ 60°C (-22°F ~ 140°F), Humidity: ≤95% RH (non-condensing)
Reset Button	Yes
Environmental Protection	Ingression protection: IP67; Vandal resistance

ORDERING INFORMATION

MODEL NUMBER	Bundled CORE AI	CORE AI License Add-On
TP-X2B8MPR-1Y	TV-CORE1Y 1-Year License	TV-CORE1Y/3Y/5Y; TV-UPG2Y/4Y/9Y

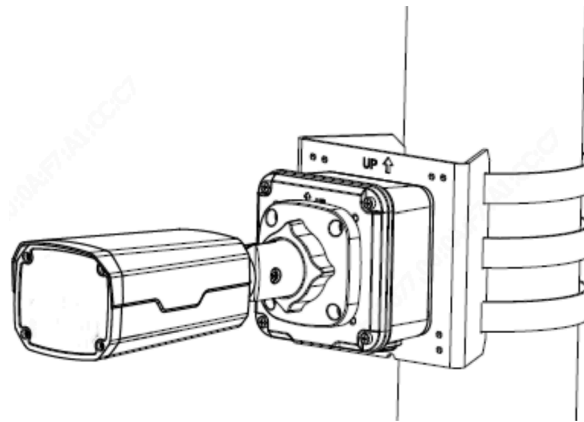


DIMENSIONS



MOUNTING ACCESSORIES

MODEL NUMBER	DESCRIPTION / APPLICATION	COMPATIBLE ACCESSORIES
TP-FCBJB	Junction Box	TP-FCBPM - Pole mount TP-WMCM - Corner mount TP-UWPJ - 3/4" waterproof cable gland



Pole mounted w/ TP-FCBJB junction box and TP-FCBPM pole mount