

# TURING 30W IP Horn Outdoor Speaker

TP-IPS30

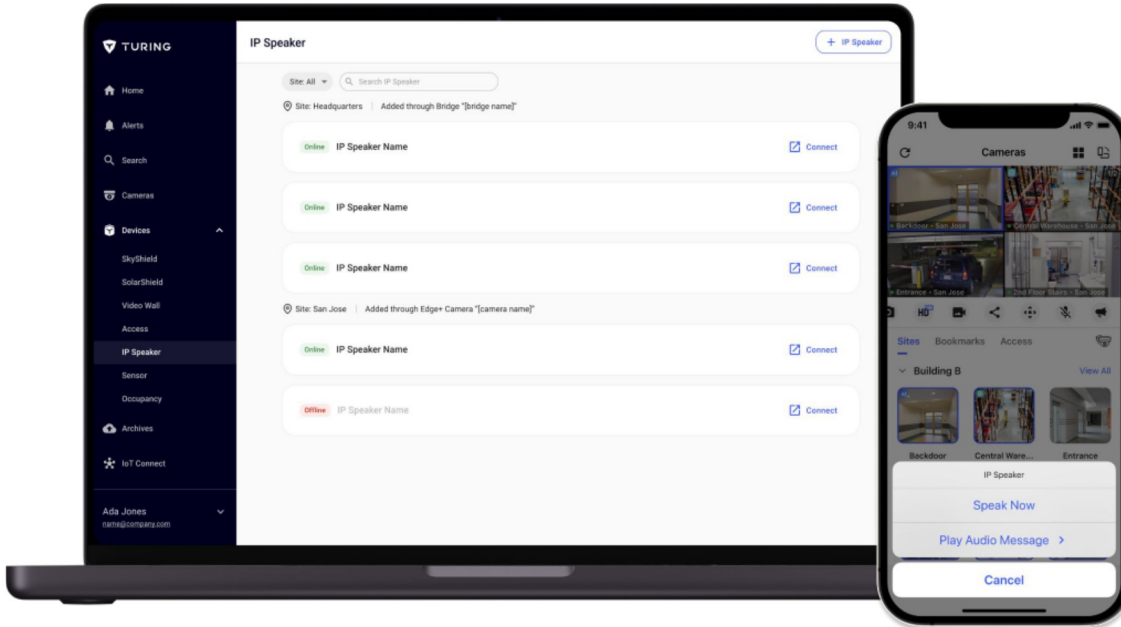
## KEY FEATURES

- ✓ IP67 Waterproof Design for installation in outdoor settings
- ✓ 48K OPUS Audio Codec, Enables excellent sound quality
- ✓ Multi-Compatibility, Compatible with VoIP, SIP devices (IPPBX, IP Phone) via SIP
- ✓ Pre-recorded Messages, Speaker supports pre-recorded messages
- ✓ HTTP API Support, Support HTTP API for alarm in transmit



### 30 Watt IP Speaker

Combine video & audio systems into a single proactive security solution.



## KEY FEATURES

- ✓ Easily map speakers to cameras and sites for seamless operation.
- ✓ Play pre-recorded audio messages or talk down intruders in real-time to safeguard your property
- ✓ Adjust speaker volume directly from Vision Cloud for optimal sound management
- ✓ Access the IP speaker's Web GUI remotely via IoT connectivity for detailed configuration
- ✓ Seamlessly operate through both Vision Web and Vision Mobile App
- ✓ Manage multiple IP speakers from a single, intuitive platform

GENERAL	
<b>Operating temperature</b>	-30°C ~ +60°C
<b>Operating humidity</b>	5%~85%
<b>Material</b>	ABS (IP67 water-proof)
<b>Rate power</b>	30W
<b>Power Supply</b>	POE(802.3at) or DC 12V/3A, 24V/2A
<b>Dimensions</b>	11.22 x 8.07 x 11.22 inches
<b>Weight</b>	4.41 lbs

Audio	
<b>Codec</b>	OPUS 48 kHz, MP3 44.1 kHz, G.722 ADPCM 16 kHz, G.711 PCMU 8 kHz, G.711 PCMA 8 kHz

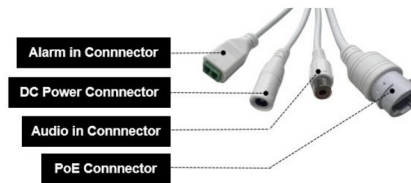
Speaker	
<b>Max SPL</b>	120db
<b>Frequency response</b>	350Hz-8Khz
<b>Frequency range</b>	500-2KHZ ± 10dB 400-12KHZ ± 20dB
<b>Harmonic distortion</b>	0.1@1kHz
<b>Signal to noise ratio</b>	91dB

Amplifier	
<b>Amplifier Description</b>	Built-in 30W Amplifier

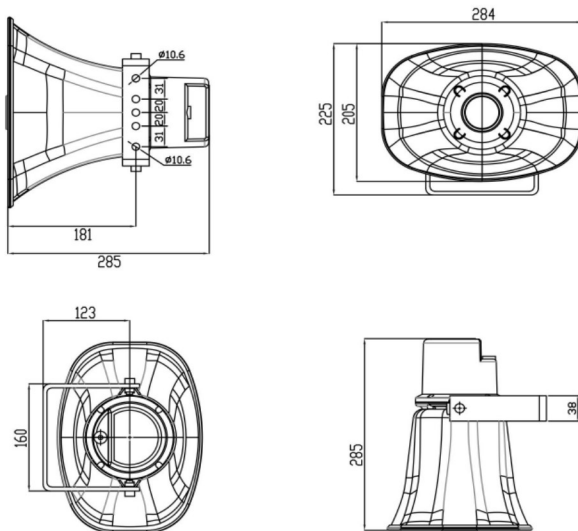
NETWORK	
<b>Network protocol</b>	SIP, ONVIF(Profile S), HTTP, IPv4, DHCP, RTSP, RTP, RTCP, TCP, UDP, ARP, FTP, TFTP, NFS, NTP Password protection, IP address filtering, Digest
<b>Security</b>	authentication, User access log, firewall
<b>Network interface</b>	10/100 Base-TX, RJ45 Support for SIP protocol for integration with VoIP systems, integrated with SIP/PBX.
<b>VoIP</b>	2 SIP Accounts, SIP Direct IP Call, RTP Multicast Codec: OPUS, MP3, G.722, PCMU, PCMA

Alarm	
<b>Alarm Input</b>	1ch, Max 3.3V, When receiving a switch alarm, it can play a ringtone or a custom sound.

Audio In	
<b>Audio Input</b>	Top priority of all audio source like RTP multicast, SIP paging.



## Dimension(mm)



Note : A Turing IP Speaker license isn't required for Turing Vision to add Turing IP Speakers, but a CORE AI license is required to map cameras with Turing IP Speakers

sales@turingvideo.com | 877.730.8222 | turing.ai