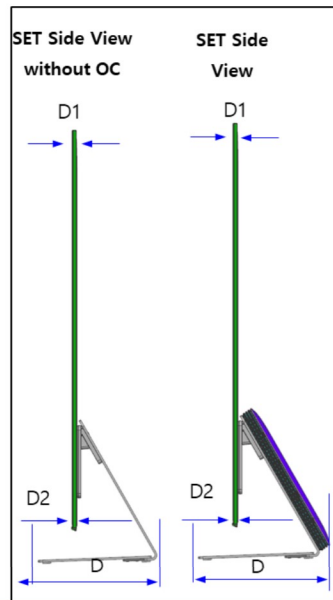


# S95D

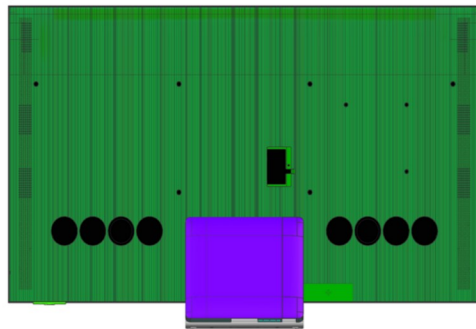
*\*Dimensions in millimeters (+ / - 0.1 mm)*

## S95D 55/65/77" Dimensions

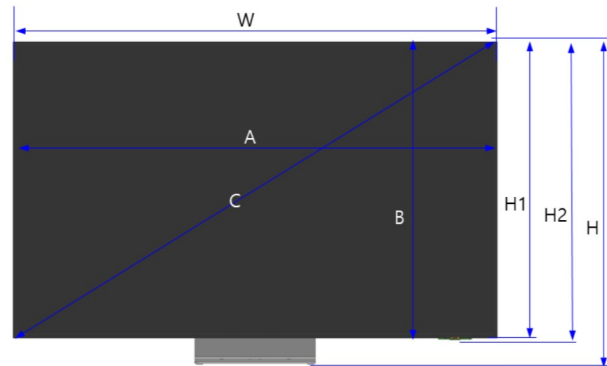


\* D1 : without Logo \* D2 : Including Logo

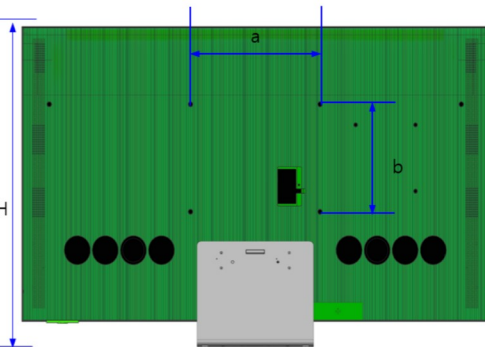
	S95D 55"	S95D 65"	S95D 77"
SET(With stand) (W * H * D)	1224.6 * 771.4 * 267.9	1443.5 * 894.4 * 267.9	1716.6 * 1048.1 * 286.4
SET(With stand & With OC) (W * H * D)	1224.6 * 771.4 * 290.7	1443.5 * 894.4 * 290.7	1716.6 * 1048.1 * 309.5
SET(Without stand) (W * H2(H1) * D1(D2))	1224.6 * 706.3(700.8) * 10.98(12.38)	1443.5 * 829.4(823.9) * 10.98(12.28)	1716.6 * 984.1(978.6) * 11.18(12.48)
* Front Opening Area (A * B * C)	1221.6 * 692.3 * 1404.1	1440.5 * 813.9 * 1654.5	1713.6 * 968.5 * 1968.4
Wall Mount (a * b)	400 * 300	400 * 300	400 * 400
Packing Out (W * H * D)	W/W	W/W	W/W
	1432 * 818 * 165	1625 * 935 * 170	1893 * 1153 * 185
Net Weight (With stand) Kg	23.9	29.0	40.0
Net Weight (Without stand) Kg	13.8	18.9	28.2
Gross Weight (Package) Kg	W/W	W/W	W/W
	33.1	39.8	54.0



SET Rear View with OC



\*Including Rubber  
SET Front View



SET Rear View without OC

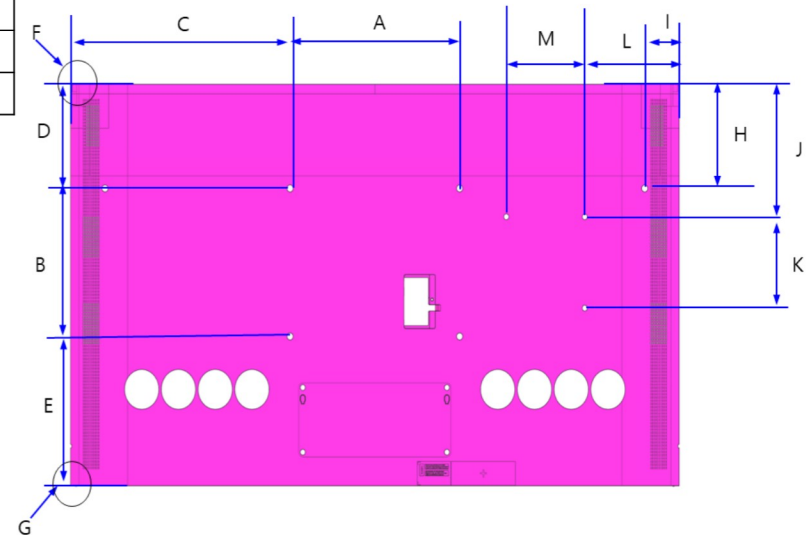
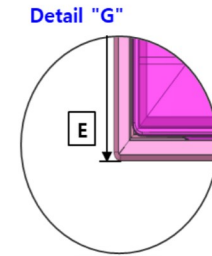
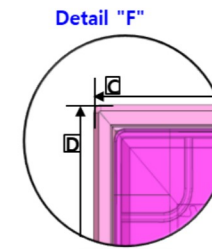
*SAMSUNG IS NOT RESPONSIBLE FOR INACCURACIES. FOR CRITICAL INSTALLATIONS, IT IS STRONGLY RECOMMENDED TO CONFIRM ALL MEASURES BY USING AN ACTUAL SAMPLE MODEL INTENDED FOR A SPECIFIC INSTALLATION.*

*\*Dimensions in millimeters (+ / - 0.1 mm)*

## S95D Cover and Rear-View Dimensions

※ C,D 1) Outmost Dimension (Chassis-Front & C/Rear)

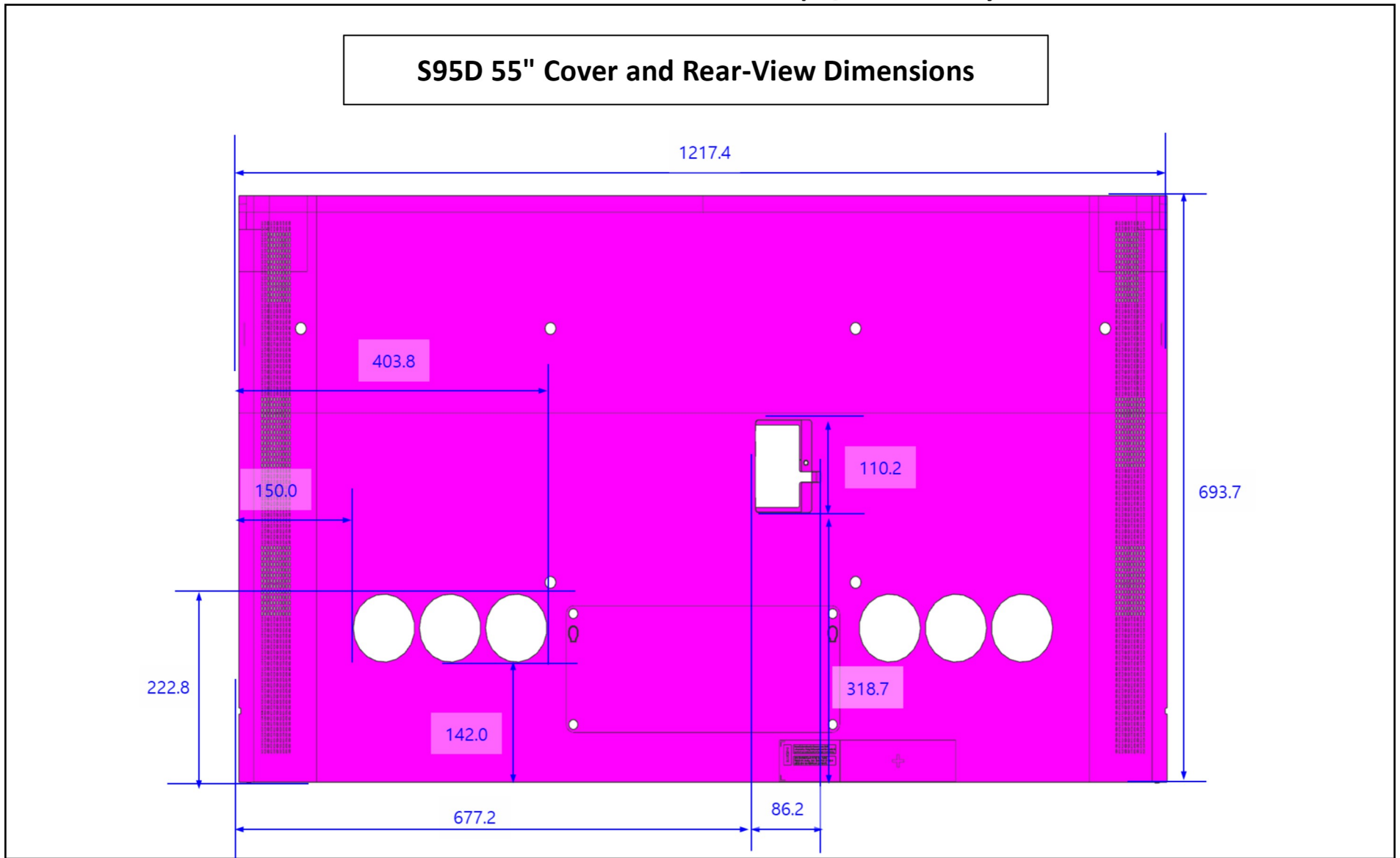
	S95D			
	55"	65"	77"	
VESA WALL MOUNT(AXB)	400 X 300	400 X 300	400 X 400	
C	412.3	521.8	658.3	
D	160.7	217.3	317.4	
E	240.1	306.7	261.2	
Screw Depth	5-6	5-6	5-6	
SLIM WALL MOUNT	H	160.7	217.3	317.4
	I	85.1	85.2	109.6
WALL MOUNT OC	J	-	274.8	424.9
	K	-	185.0	185.0
	L	-	226.6	281.9
	M	-	185.0	185.0



SAMSUNG IS NOT RESPONSIBLE FOR INACCURACIES. FOR CRITICAL INSTALLATIONS, IT IS STRONGLY RECOMMENDED TO CONFIRM ALL MEASURES BY USING AN ACTUAL SAMPLE MODEL INTENDED FOR A SPECIFIC INSTALLATION.

# S95D

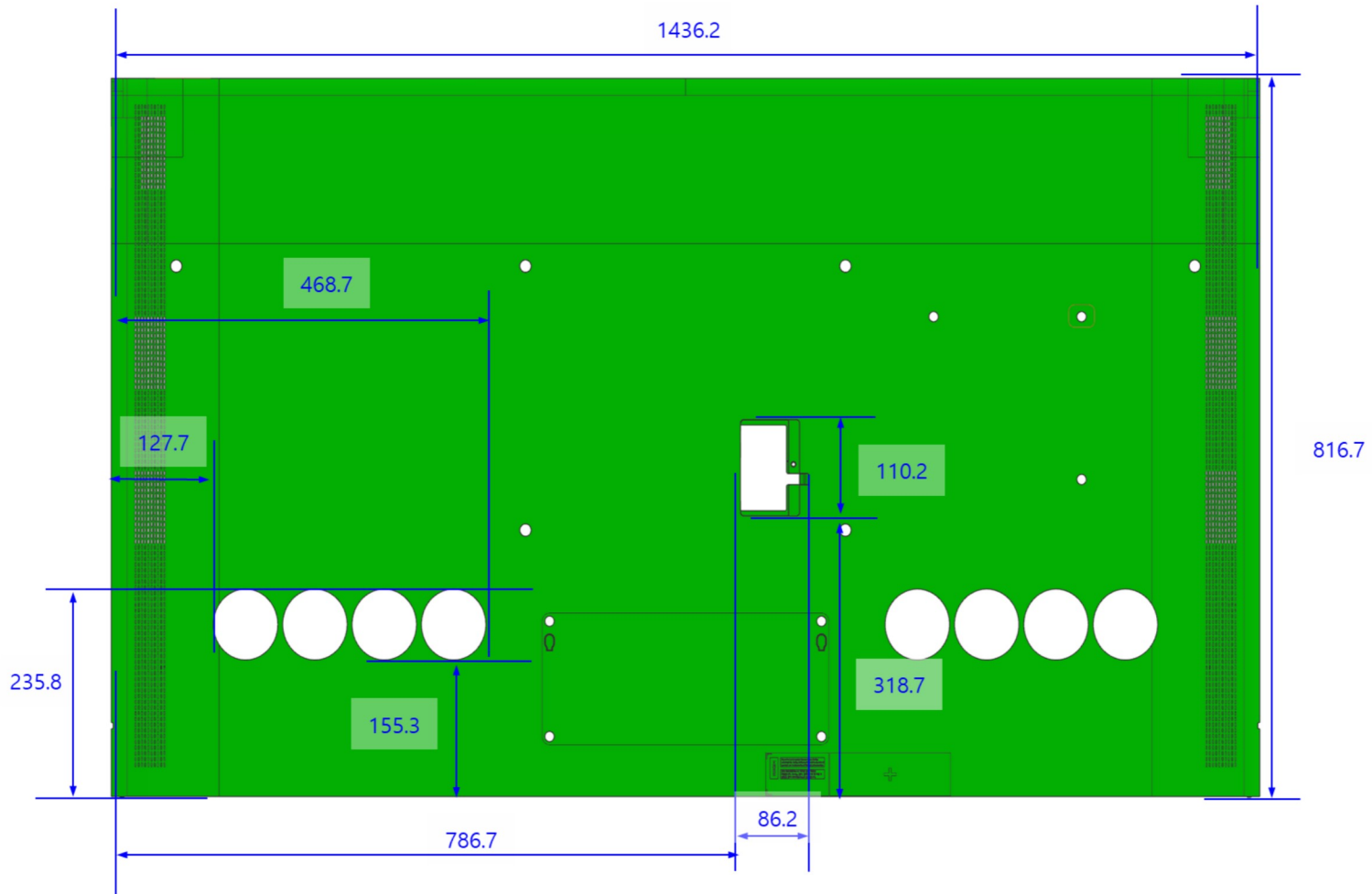
*\*Dimensions in millimeters (+ / - 0.1 mm)*



*SAMSUNG IS NOT RESPONSIBLE FOR INACCURACIES. FOR CRITICAL INSTALLATIONS, IT IS STRONGLY RECOMMENDED TO CONFIRM ALL MEASURES BY USING AN ACTUAL SAMPLE MODEL INTENDED FOR A SPECIFIC INSTALLATION.*

*\*Dimensions in millimeters (+ / - 0.1 mm)*

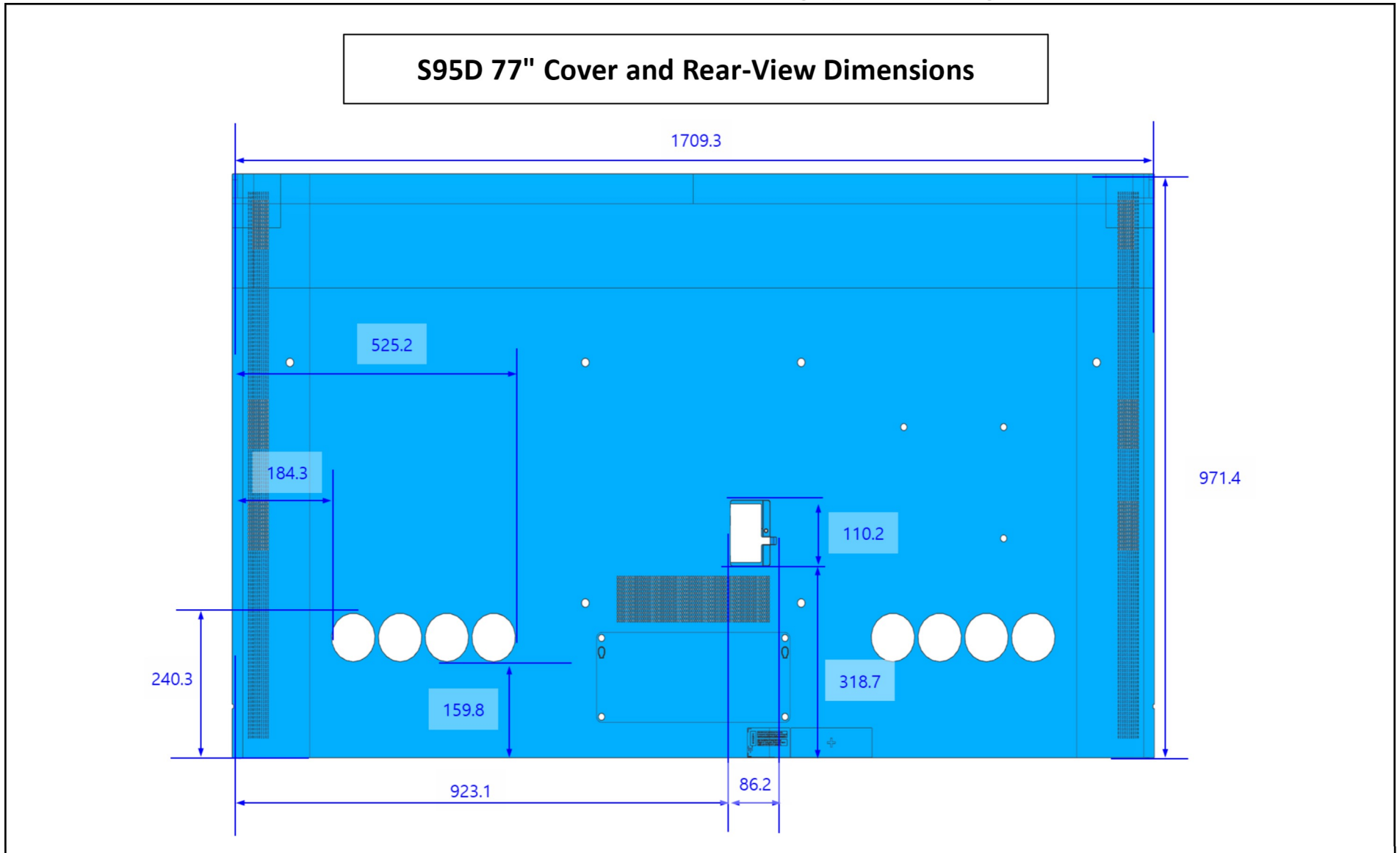
**S95D 65" Cover and Rear-View Dimensions**



*SAMSUNG IS NOT RESPONSIBLE FOR INACCURACIES. FOR CRITICAL INSTALLATIONS, IT IS STRONGLY RECOMMENDED TO CONFIRM ALL MEASURES BY USING AN ACTUAL SAMPLE MODEL INTENDED FOR A SPECIFIC INSTALLATION.*

# S95D

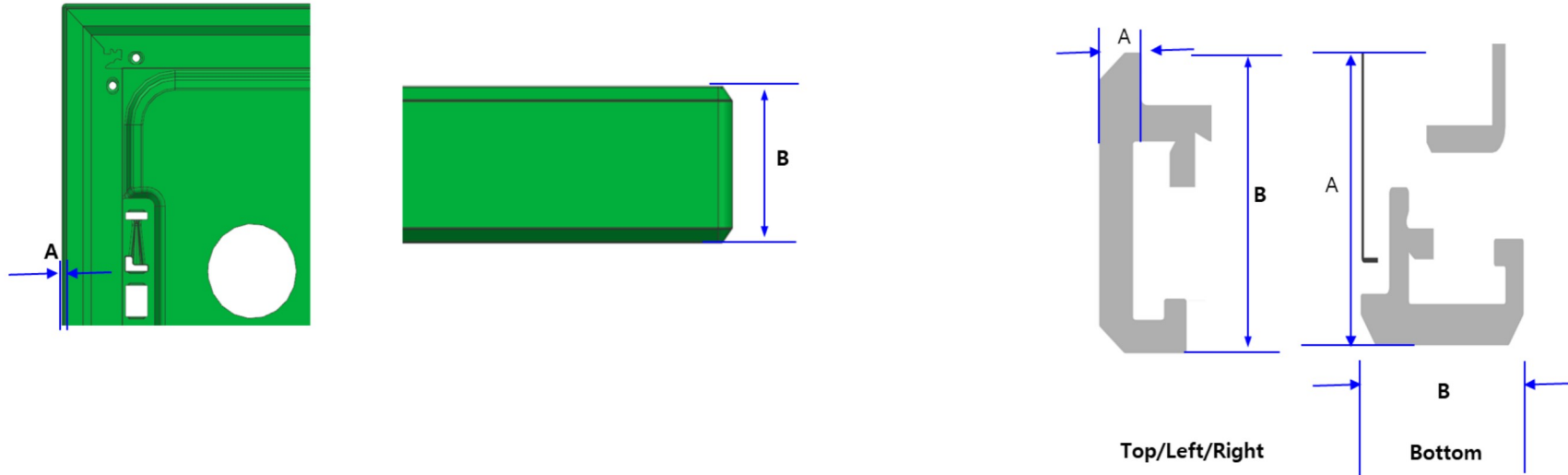
*\*Dimensions in millimeters (+ / - 0.1 mm)*



*SAMSUNG IS NOT RESPONSIBLE FOR INACCURACIES. FOR CRITICAL INSTALLATIONS,  
IT IS STRONGLY RECOMMENDED TO CONFIRM ALL MEASURES BY USING AN ACTUAL SAMPLE MODEL INTENDED FOR A SPECIFIC INSTALLATION.*

# S95D

*\*Dimensions in millimeters (+ / - 0.1 mm)*



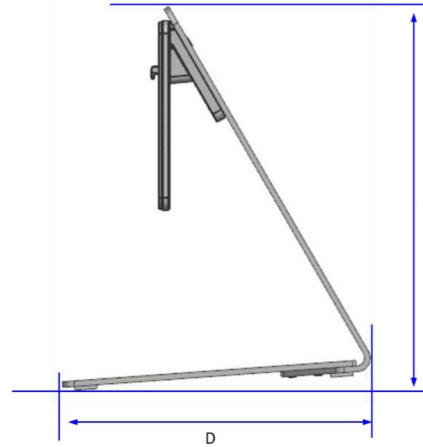
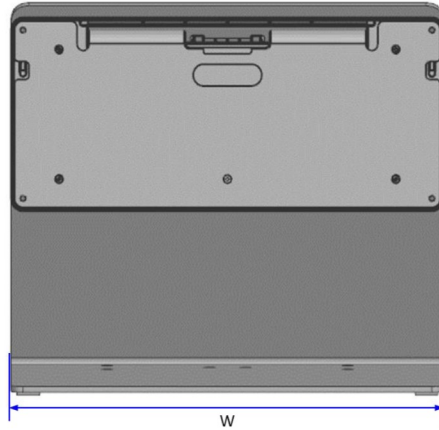
## S95D Bezel Dimensions

	S95D					
	55"		65"		77"	
	Top/Left/Right	Bottom	Top/Left/Right	Bottom	Top/Left/Right	Bottom
<b>A</b>	1.5	8.5	1.5	8.5	1.5	8.6
<b>B</b>	9.9		9.9		9.9	

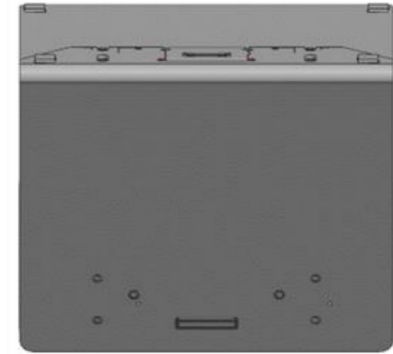
*SAMSUNG IS NOT RESPONSIBLE FOR INACCURACIES. FOR CRITICAL INSTALLATIONS, IT IS STRONGLY RECOMMENDED TO CONFIRM ALL MEASURES BY USING AN ACTUAL SAMPLE MODEL INTENDED FOR A SPECIFIC INSTALLATION.*

# S95D

*\*Dimensions in millimeters (+ / - 0.1 mm)*



\*Including Rubber



## S95D Stand Dimensions

STAND (W*H*D)	S95D	
	55"/65"	77"
	360.0*296.6*267.9	360.0*296.4*286.4

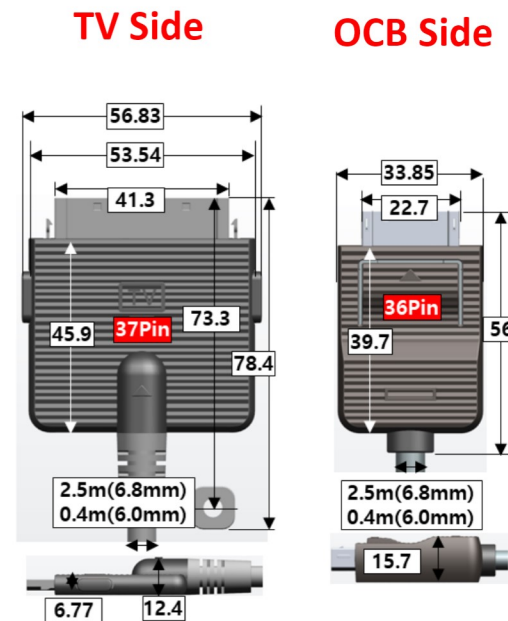
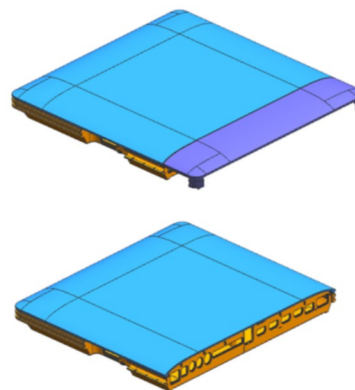
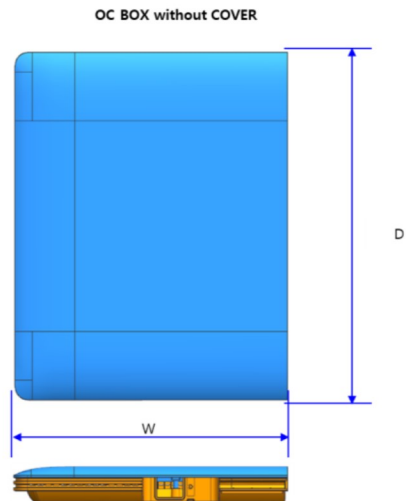
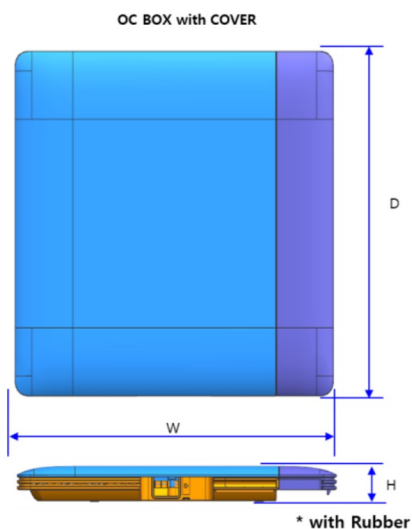
*SAMSUNG IS NOT RESPONSIBLE FOR INACCURACIES. FOR CRITICAL INSTALLATIONS, IT IS STRONGLY RECOMMENDED TO CONFIRM ALL MEASUREMENTS USING THE SPECIFIC TV TO BE INSTALLED.*

# S95D

*\*Dimensions in millimeters (+ / - 0.1 mm)*

## S95D One Connect Box and Cable

	S95D
OC BOX (with COVER) (W*H*D)	360.0 * 32.9 * 330.0
OC BOX (without COVER) (W*H*D)	295.0 * 32.9 * 330.0



**Included One Connect Cables:**

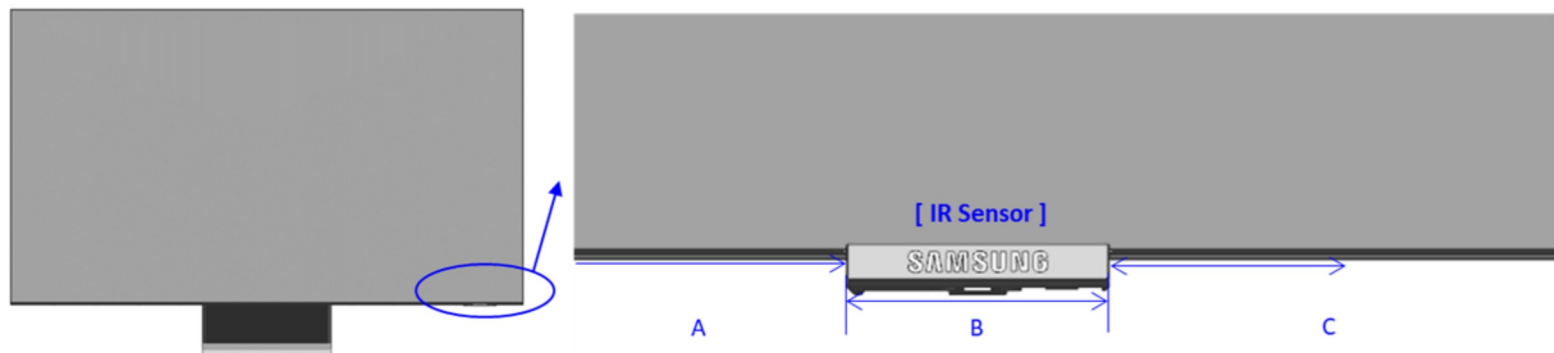
- Short: .4M
- Long: 2.5M

*SAMSUNG IS NOT RESPONSIBLE FOR INACCURACIES. FOR CRITICAL INSTALLATIONS, IT IS STRONGLY RECOMMENDED TO CONFIRM ALL MEASURES BY USING AN ACTUAL SAMPLE MODEL INTENDED FOR A SPECIFIC INSTALLATION.*

# S95D

*\*Dimensions in millimeters (+ / - 0.1 mm)*

## 2024 IR Sensor Location



Product	Series	Inch	Item	Sensor Position	DIMENSION		
					A	B	C
OLED	S95D	77	QN77S95DAFXZA	Right	1590.4	24.7	101.4
		65	QN65S95DAFXZA	Right	1304.9	24.7	114
		55	QN55S95DAFXZA	Right	1104.2	24.7	95.7

*SAMSUNG IS NOT RESPONSIBLE FOR INACCURACIES. FOR CRITICAL INSTALLATIONS, IT IS STRONGLY RECOMMENDED TO CONFIRM ALL MEASUREMENTS USING THE SPECIFIC TV TO BE INSTALLED.*