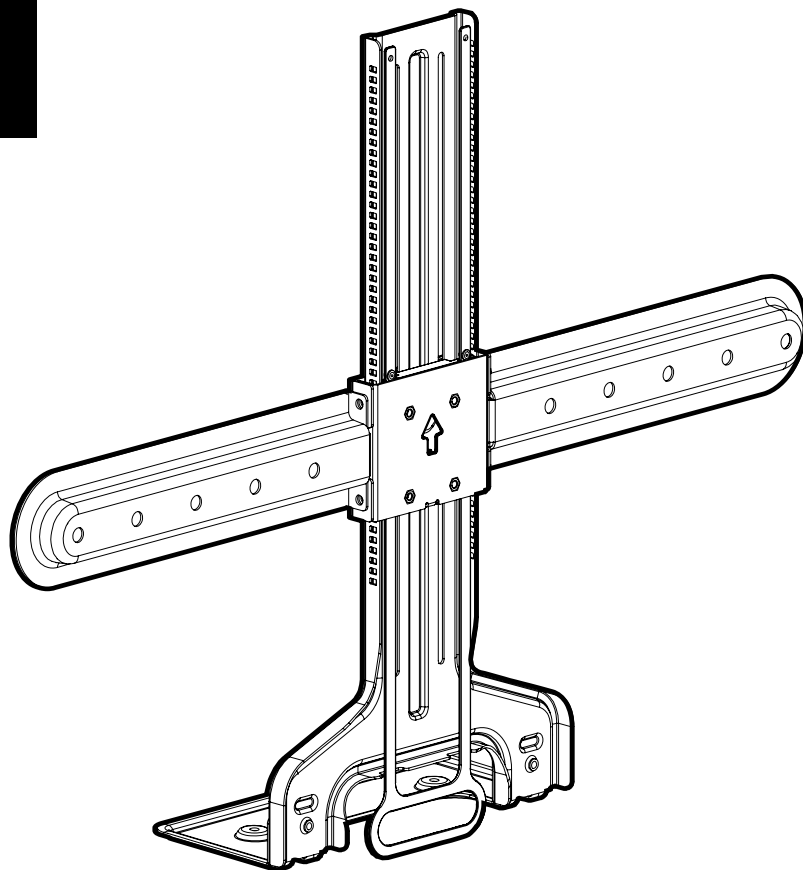


SANUS

**SOUNDBAR MOUNT
DESIGNED FOR
Sonos Beam™
WSSBM1-B2
INSTRUCTION MANUAL**



This mount is designed to support Sonos® Beam™ soundbar and works with SANUS and other TV mount brands.

LANGUAGES



Visit: <http://san.us/2767>

ES

FR

DE

NL

SV

JA

ZH

RU

WE'RE HERE TO HELP

If you have any questions along the way, our install experts are standing by to help.



Call us at: **+31 (0) 495 580 852**

US: 1-800-359-5520

UK: (0) 800 056 2853



Or, email at: **info@sanus.com / sanus.europe@legrand.com (EU)**

IMPORTANT SAFETY INSTRUCTIONS. READ ENTIRE MANUAL PRIOR TO USE. SAVE THESE INSTRUCTIONS

Before getting started, let's make sure this product is perfect for you!

⚠ CAUTION: To avoid potential personal injuries and property damage:

- This soundbar mount is only designed for use with TV wall mounts that meet third party safety certifications.
- This soundbar mount is ONLY designed to mount below the television
- Please read through these instructions completely to be sure you're comfortable with this easy install process.
- Do not use this product for any purpose not explicitly specified by manufacturer.
- Manufacturer is not responsible for damage or injury caused by incorrect assembly or use.
- If you do not understand these instructions or have doubts about the safety of the installation, assembly or use of this product, contact Customer Service.

Tools Needed



Screwdriver



TV Mount Manual

**Beam™ Weight Limit
DO NOT EXCEED**



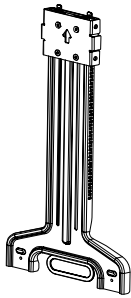
SUPPLIED PARTS AND HARDWARE

Before starting assembly, verify all parts are included and undamaged. If any parts are missing or damaged, DO NOT return the damaged item to your dealer; contact Sanus (see back page). Never use damaged parts!

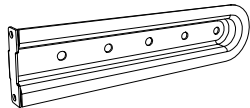
⚠ WARNING: CHOKING HAZARD — This product contains small items that could be a choking hazard if swallowed.

NOTE: Not all hardware included in this kit will be used.

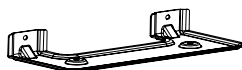
INCLUDED IN BOX



1 Vertical Assembly
(qty 1)



2 Extension Arms
(qty 2)



3 Shelf Bracket
(qty 1)



4 M5 x 8 mm Screws
(qty 8)

Spacers



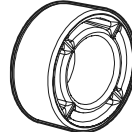
5 Mount Spacers
(qty 2 each)



6 Extension Arm Spacers
(qty 2 each)

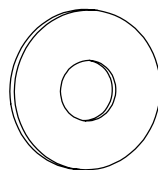


7 2.5mm Spacer
(qty 4 each)

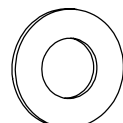


8 5mm Spacer
(qty 4 each)

9 Washers
(qty 4 each)



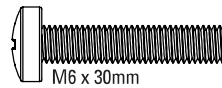
Large M8/M6 Washer



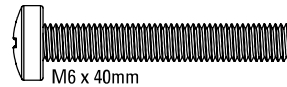
M8/M6 Washer

10

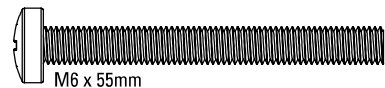
TV Screws
(qty 4 each)



M6 x 30mm



M6 x 40mm



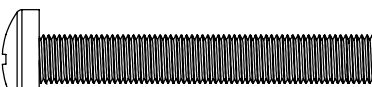
M6 x 55mm



M8 x 35mm



M8 x 45mm



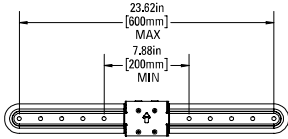
M8 x 55mm



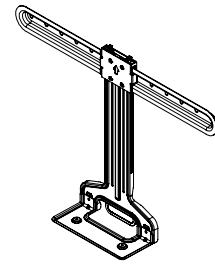
M8 x 70mm

DIMENSIONS

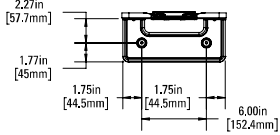
TV INTERFACE



3-D



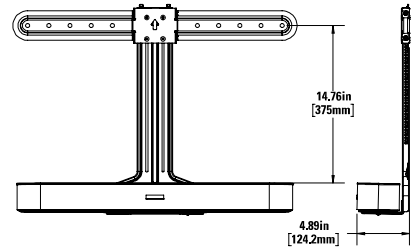
SPEAKER INTERFACE



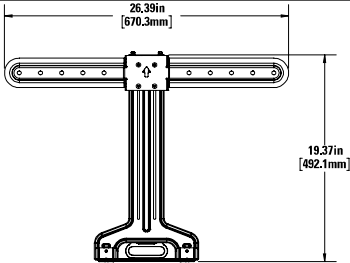
TOP VIEW - TV MOUNTED



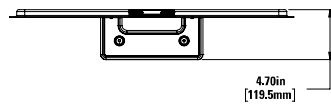
3-D



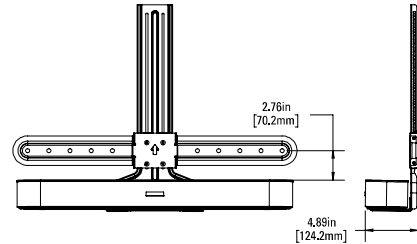
FULLY ASSEMBLED MOUNT



TOP VIEW



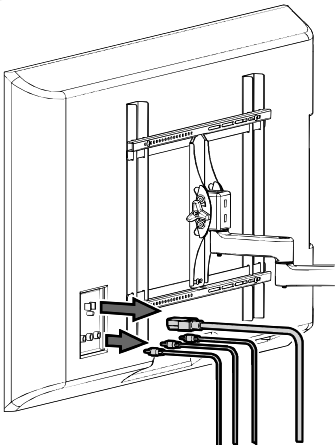
SIDE VIEW



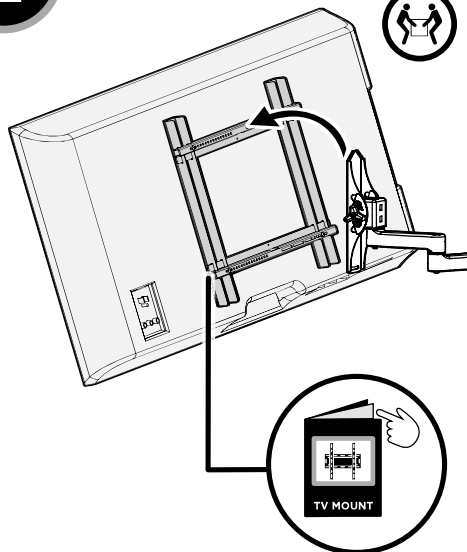
PREPARE YOUR TV (IF MOUNTED)

CAUTION: Follow your TV mount's manual for instructions on how to safely remove your TV and TV bracket.

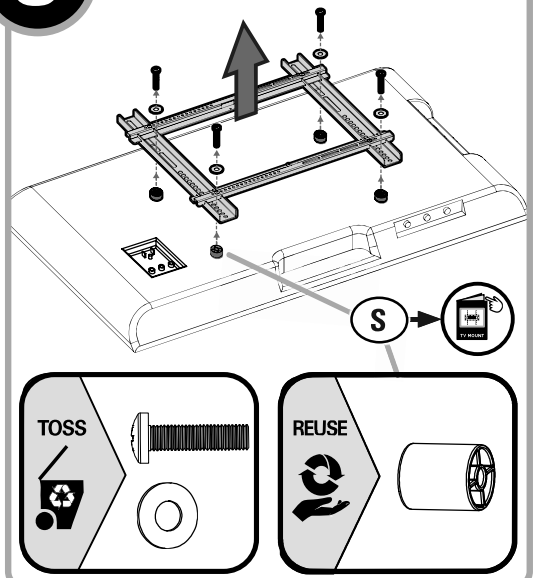
1 Unplug



2 Dismount



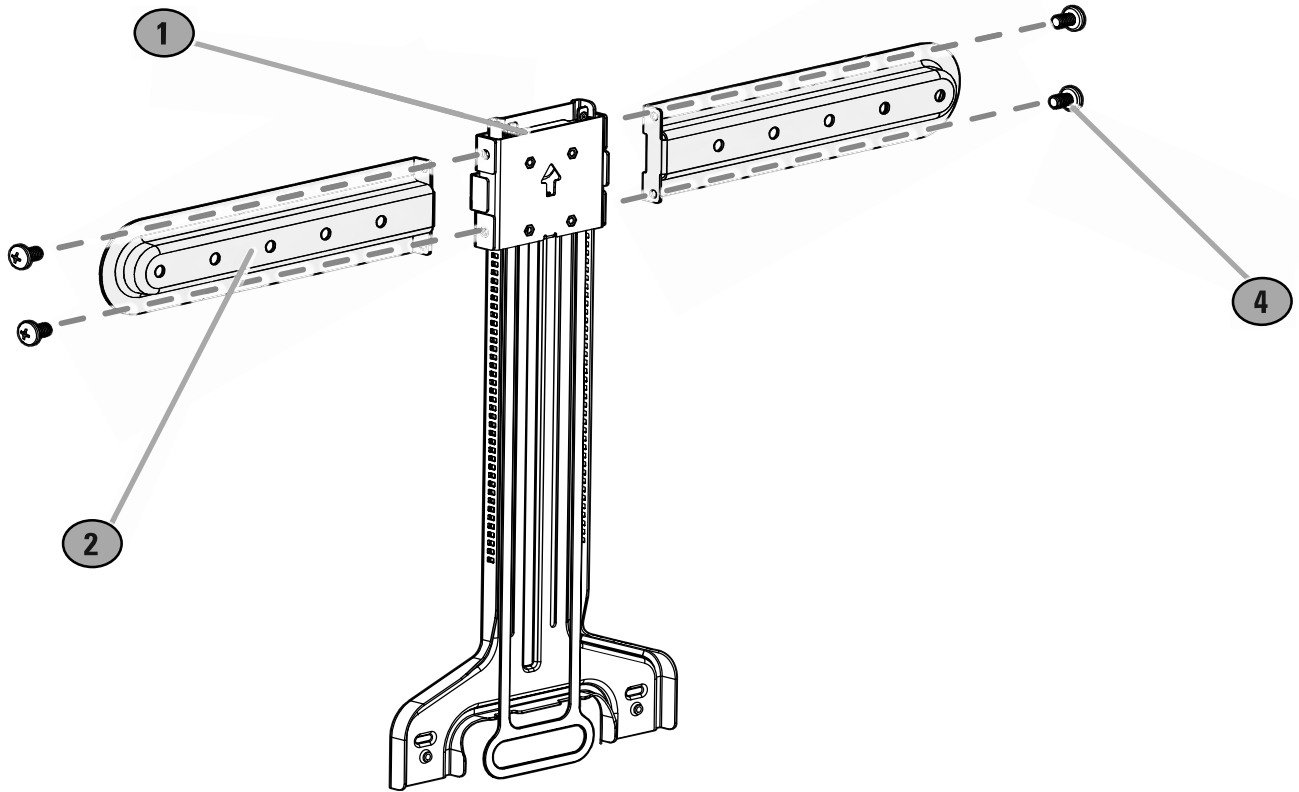
3 Remove TV Mount



ASSEMBLE AND ATTACH SOUNDBAR MOUNT

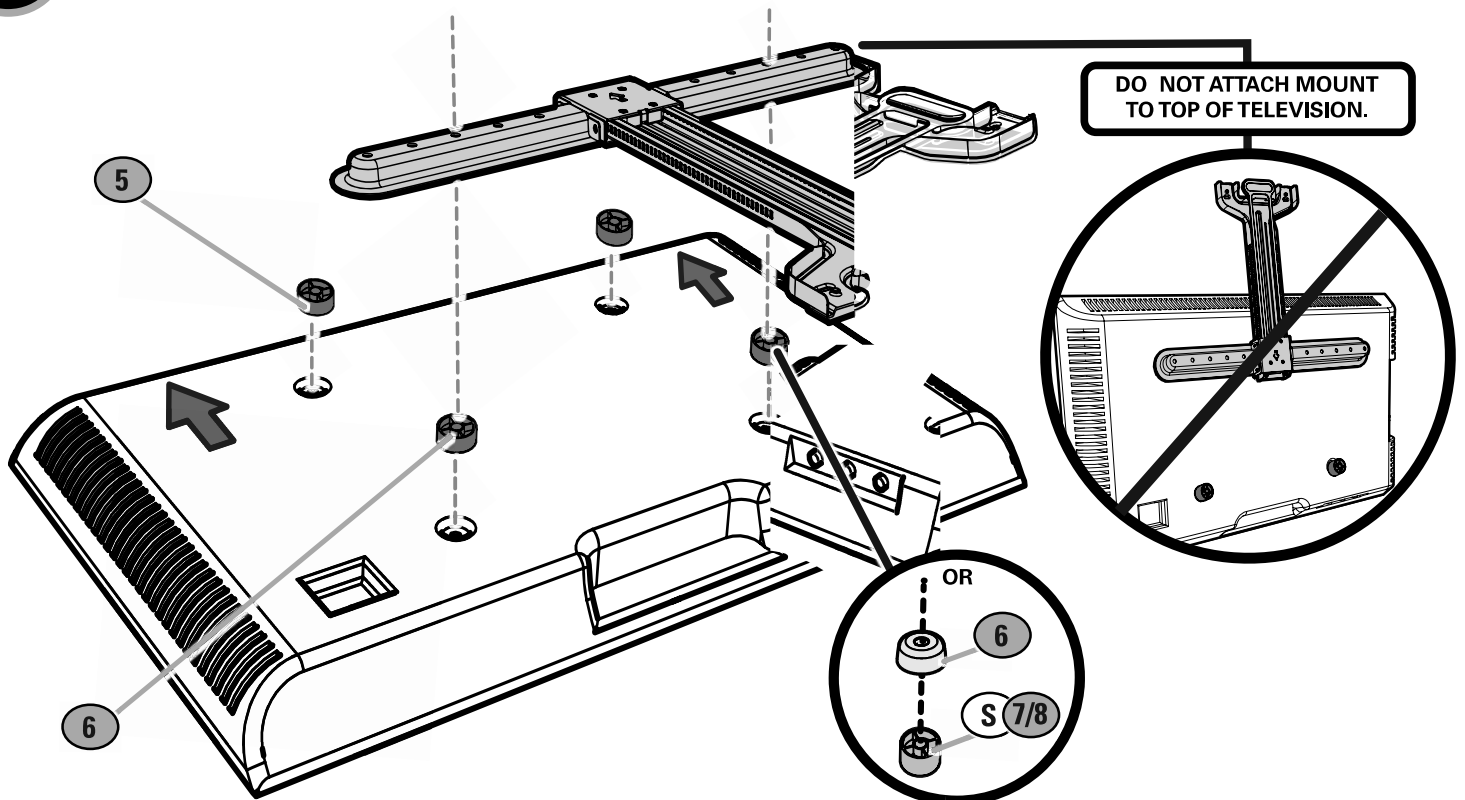
4

Assemble the soundbar brackets with 4 screws



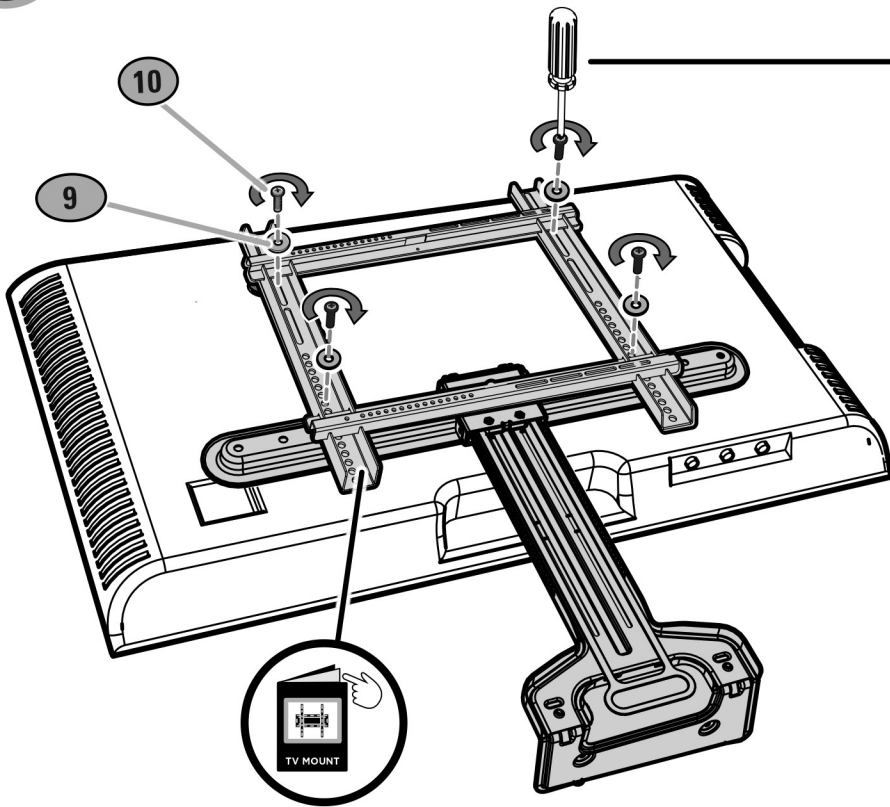
5

Line up soundbar bracket and spacers with TV's prethreaded mounting holes



6

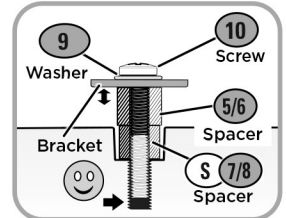
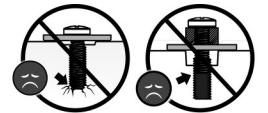
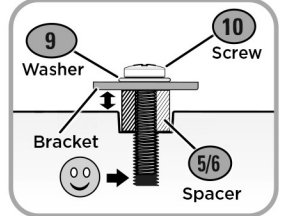
Secure TV mount bracket and soundbar mount to TV



DO NOT OVERTIGHTEN
COULD DAMAGE
MONITOR OR HARDWARE

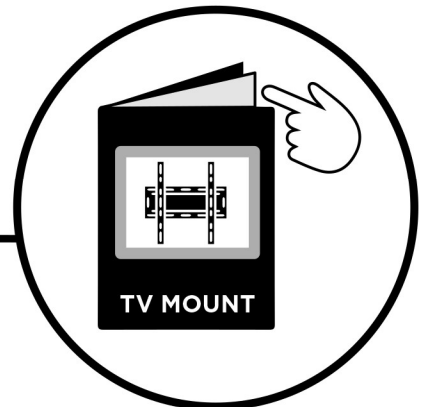
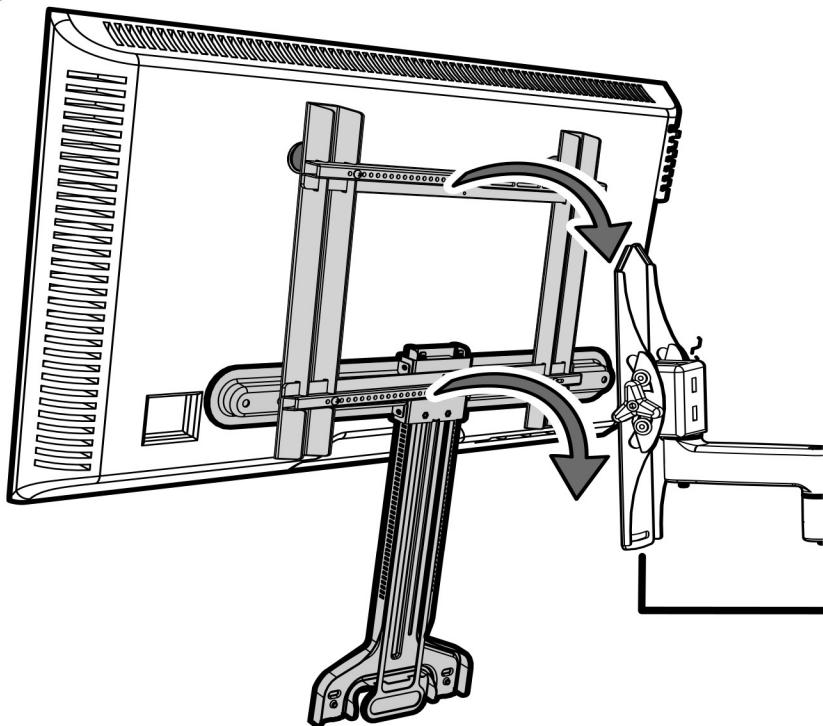


Ideal Setup
Select
Screws



7

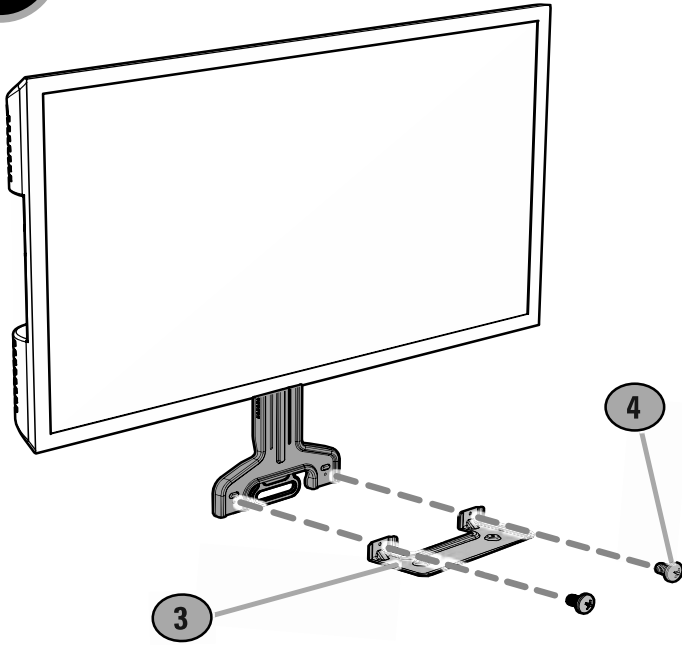
Mount TV



ATTACH SOUNDBAR TO MOUNT

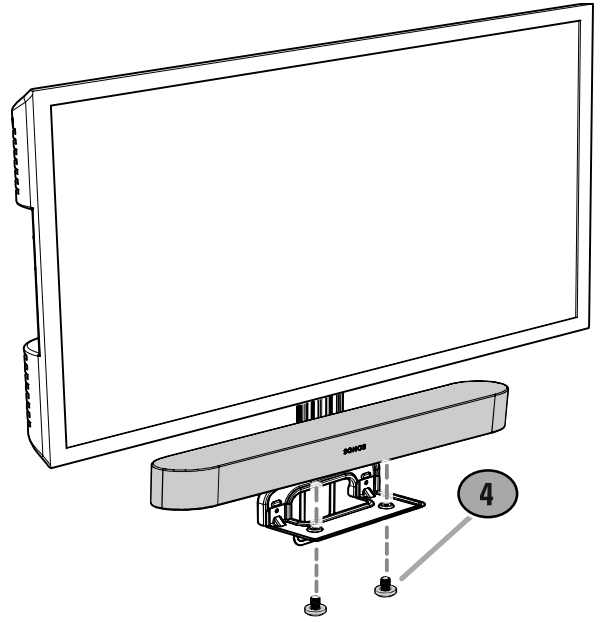
8

Attach shelf bracket to vertical assembly



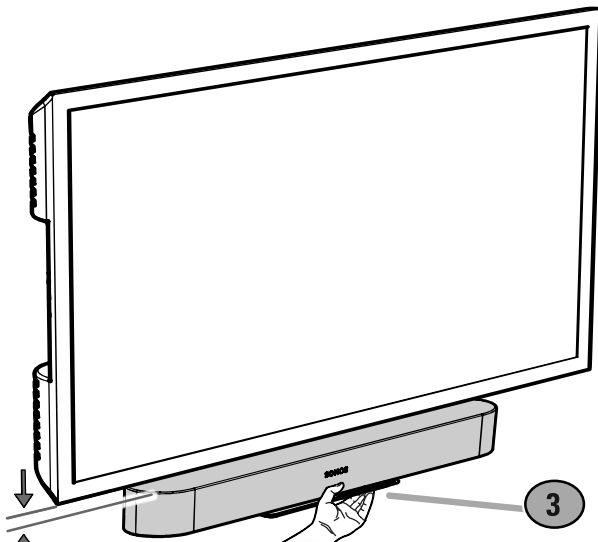
9

Attach soundbar to shelf bracket



10

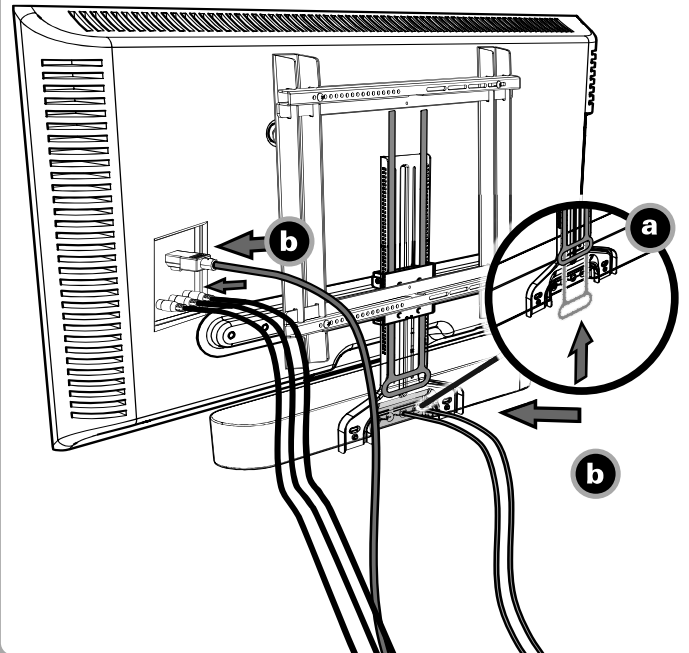
Push soundbar bracket up to lock into place



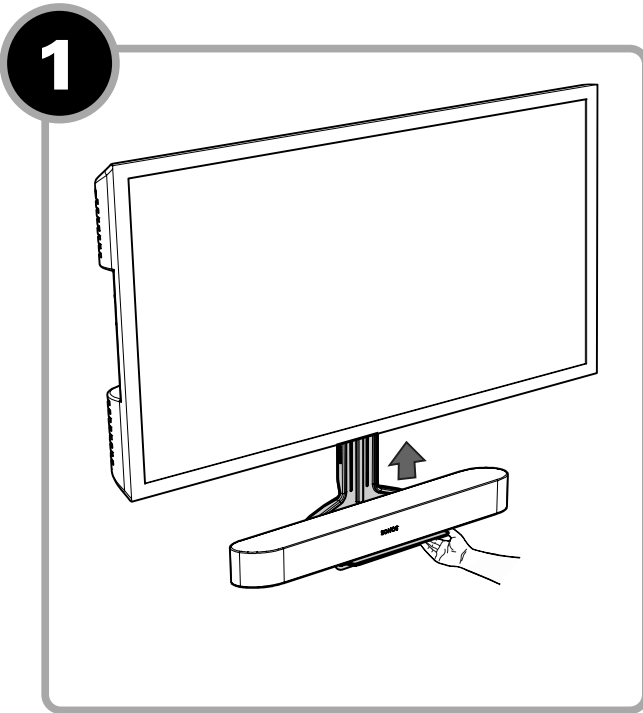
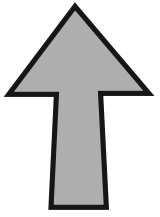
! (Optional) Leave 1/2" (1.27 cm) to 1" (2.54 cm) gap for microphone performance

11

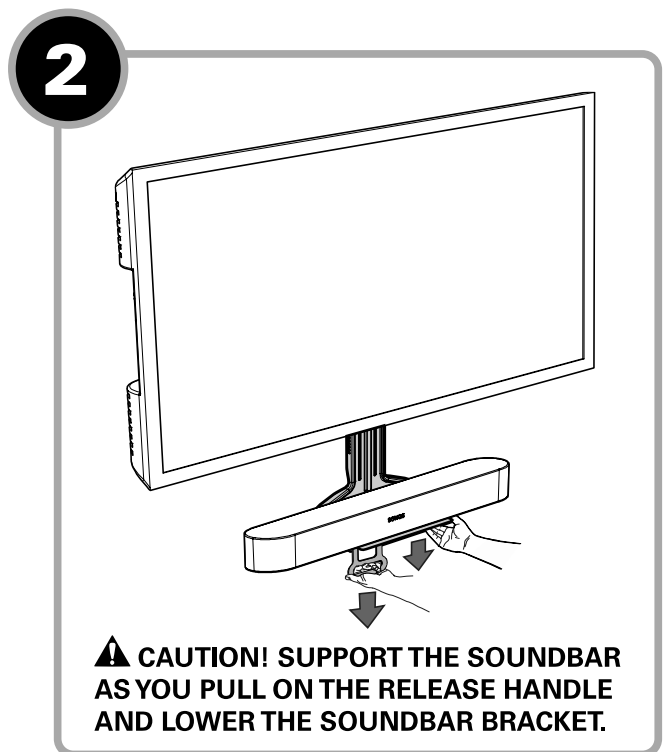
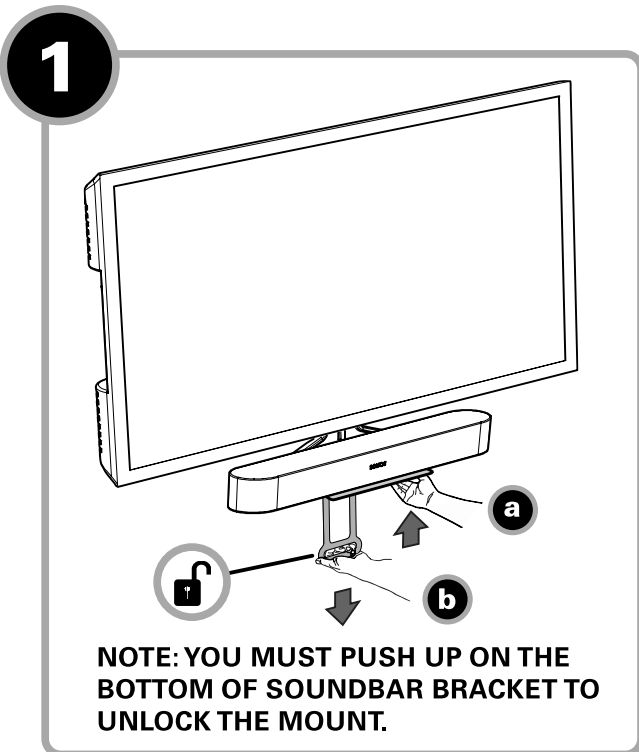
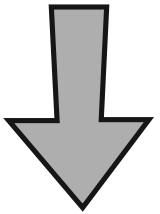
Slide up release handle and attach cables



ADJUST SOUNDBAR SHELF UP



ADJUST SOUNDBAR SHELF DOWN



SANUS

STILL NEED HELP?

If you have any questions along the way, our install experts are standing by to help.



Call us at: **+31 (0) 495 580 852**

US: 1-800-359-5520

UK: (0) 800 056 2853



Or, email at: **info@sanus.com / sanus.europe@legrand.com (EU)**

Legrand AV Inc. and its affiliated corporations and subsidiaries (collectively, "Legrand"), intend to make this manual accurate and complete. However, Legrand makes no claim that the information contained herein covers all details, conditions, or variations. Nor does it provide for every possible contingency in connection with the installation or use of this product. The information contained in this document is subject to change without notice or obligation of any kind. Legrand makes no representation of warranty, expressed or implied, regarding the information contained herein. Legrand assumes no responsibility for accuracy, completeness or sufficiency of the information contained in this document.

Legrand AV Inc. Global Headquarters
6436 City West Parkway
Eden Prairie, MN 55344 USA

©2020 Legrand AV Inc. All rights reserved.
Sanus is a division of Legrand. All other brand names or marks are used for identification purposes and are trademarks of their respective owners.

6901-602638-00