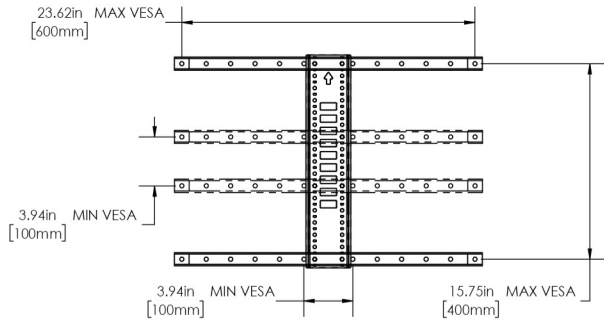


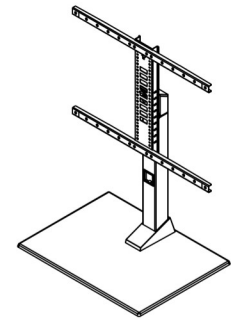
TV INTERFACE



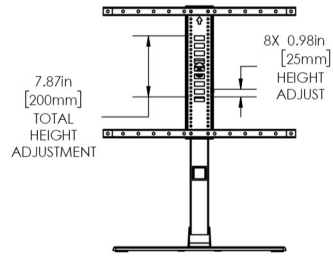
PREMIUM SWIVEL TV STAND 6805-002433-XXX

THE INFORMATION AND DESIGNS CONTAINED IN THIS DRAWING ARE CONFIDENTIAL AND THE PROPRIETARY PROPERTY OF LEGRAND | AV. NEITHER THIS DESIGN NOR ANY INFORMATION CONTAINED IN THIS DRAWING MAY BE REPRODUCED OR DISCLOSED TO OTHERS WITHOUT THE EXPRESS WRITTEN CONSENT OF LEGRAND | AV.
 本图纸所包含的信息和设计均系 LEGRAND | AV 机密和知识产权。本图纸包含的设计和 信息未经 LEGRAND | AV 书面同意均不得复制或 者泄露给他人

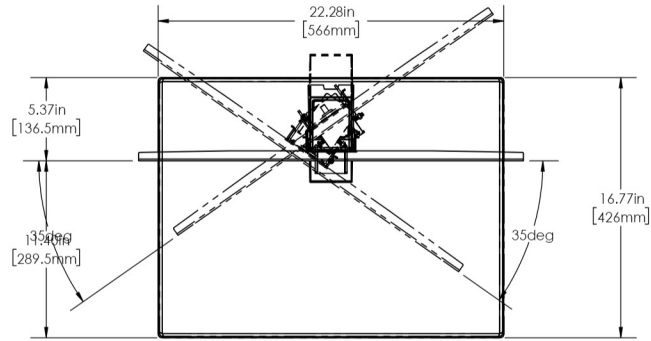
3-D



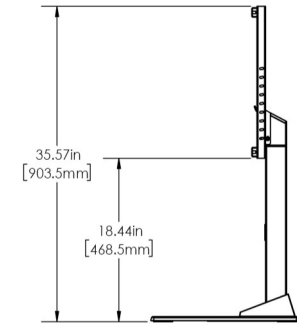
HEIGHT ADJUSTMENT



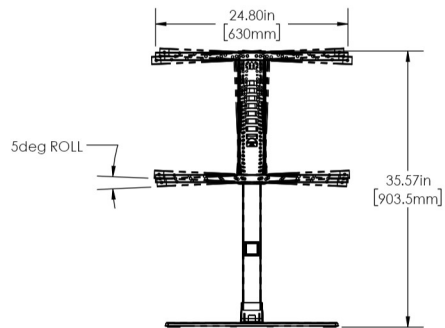
TOP VIEW - SWIVEL



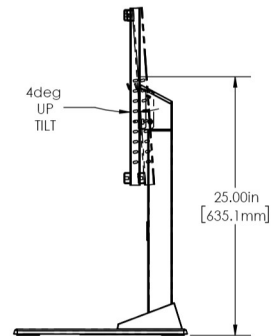
SIDE VIEW - EXTENDED



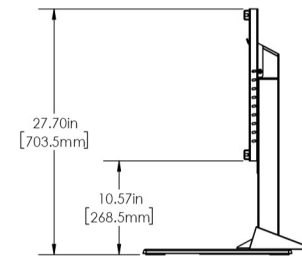
FULLY ASSEMBLED MOUNT



SIDE VIEW - TILT



SIDE VIEW - RETRACTED



PREMIUM SWIVEL TV STAND 6805-002433-XXX

