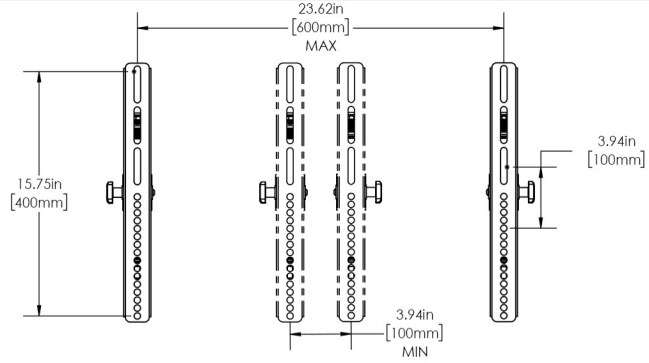


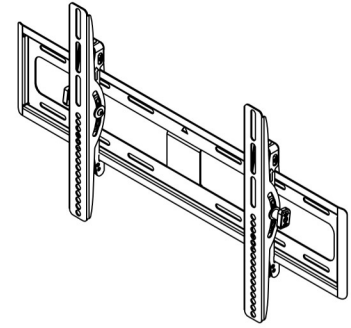
**TV INTERFACE**



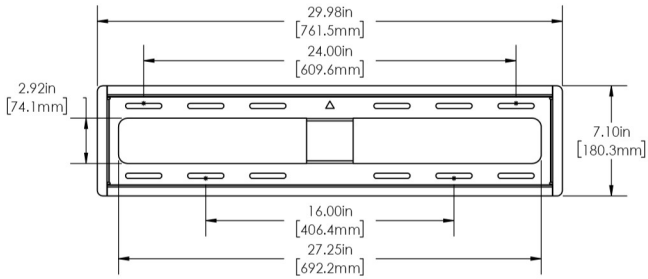
**LARGE TILT  
6805-002374-XXX**

THE INFORMATION AND DESIGNS CONTAINED IN THIS DRAWING ARE CONFIDENTIAL AND THE PROPRIETARY PROPERTY OF LEGRAND | AV. NEITHER THIS DESIGN NOR ANY INFORMATION CONTAINED IN THIS DRAWING MAY BE REPRODUCED OR DISCLOSED TO OTHERS WITHOUT THE EXPRESS WRITTEN CONSENT OF LEGRAND | AV.  
 本图纸所包含的信息和设计均系 LEGRAND | AV 机密和知识产权。本图纸包含的设计和信未 经 LEGRAND | AV 书面同意均不得复制或 者泄露给他人

**3-D**



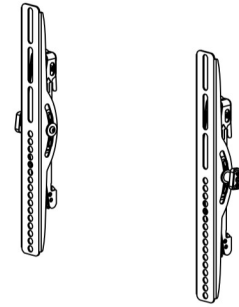
**WALL PLATE**



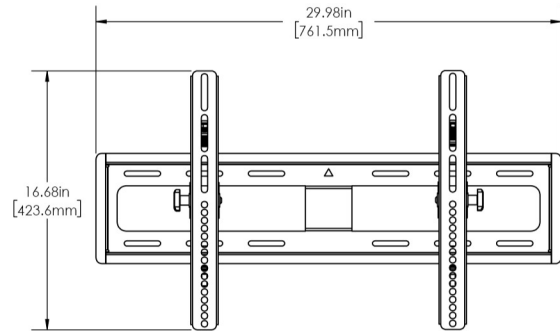
**TOP VIEW - MOUNT DEPTH**



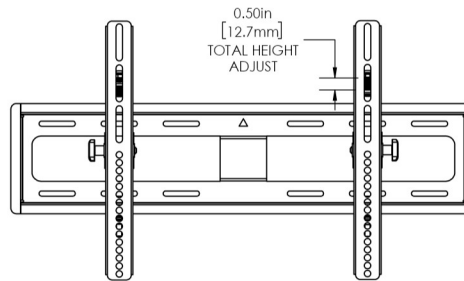
**3-D**



**FULLY ASSEMBLED MOUNT**



**HEIGHT ADJUST**



**SIDE VIEW - TILT**



# LARGE TILT 6805-002374-XXX

