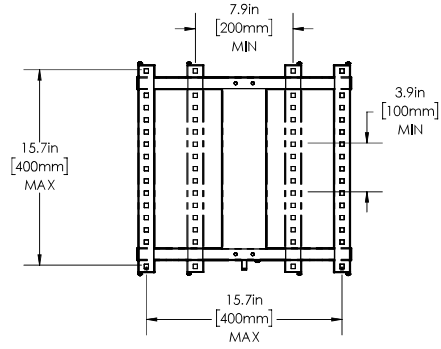


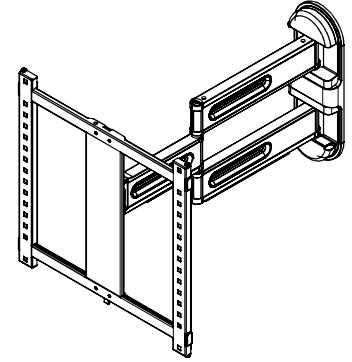
**TV INTERFACE**



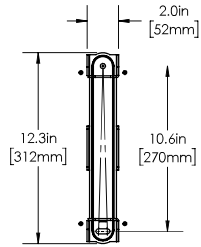
**6805-002492-XXX  
 MEDIUM FULL MOTION**

THE INFORMATION AND DESIGNS CONTAINED IN THIS DRAWING ARE CONFIDENTIAL AND THE PROPRIETARY PROPERTY OF LEGRAND | AV. NEITHER THIS DESIGN NOR ANY INFORMATION CONTAINED IN THIS DRAWING MAY BE REPRODUCED OR DISCLOSED TO OTHERS WITHOUT THE EXPRESS WRITTEN CONSENT OF LEGRAND | AV.  
 本图纸所包含的信息和设计均系 LEGRAND | AV 机密和知识产权。本图纸包含的设计和信息未经 LEGRAND | AV 书面同意均不得复制或泄露给他人。

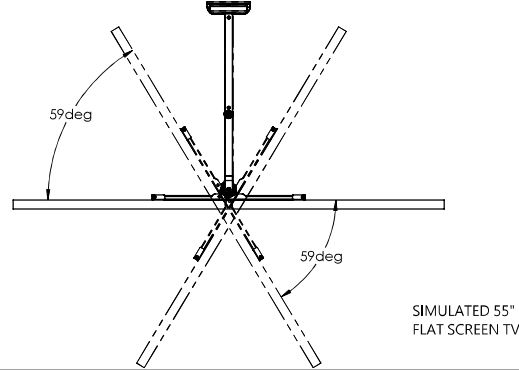
**3-D**



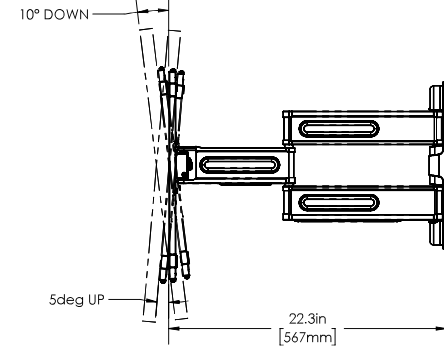
**WALL PLATE**



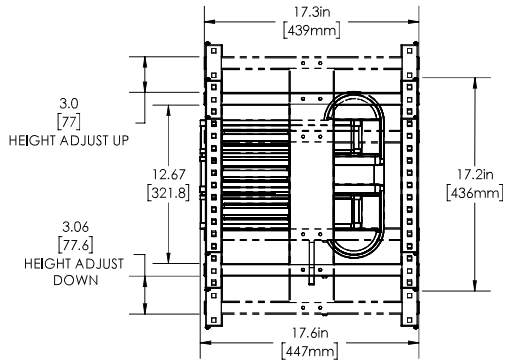
**TOP VIEW - EXTENDED**



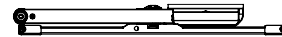
**SIDE VIEW - EXTENDED**



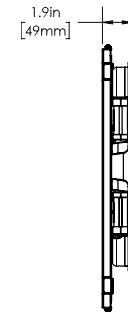
**FULLY ASSEMBLED MOUNT**



**TOP VIEW - RETRACTED**



**SIDE VIEW RETRACTED**



6805-002492-XXX

