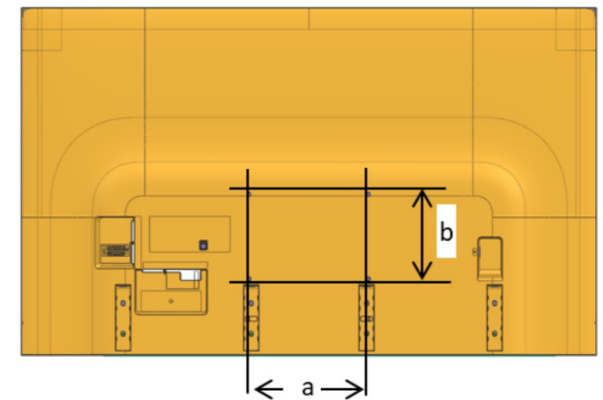
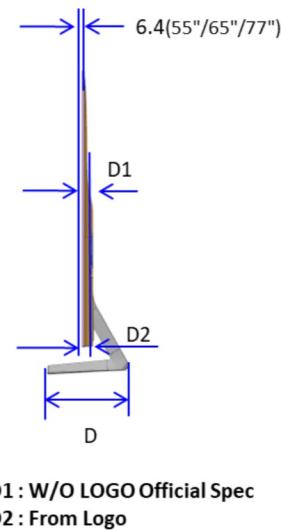
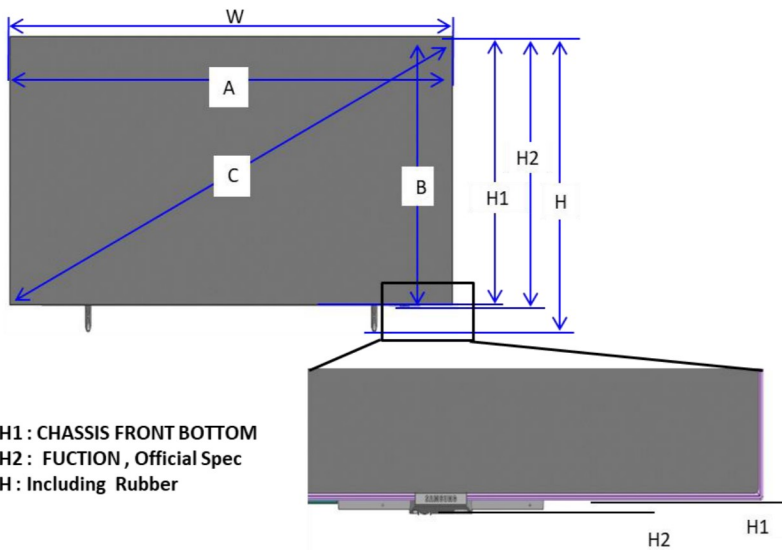


S85F Set Dimension

	55"	65"	77"	83"
SET(With stand) (W * H(high) * D)	1224.6 * 765.0(775.0) * 235.3	1443.5 * 897.3 * 263.3	1721.4 * 1060.0 * 330.2	1849.0 * 1129.5 * 348.7
SET(Without stand) (W * H2(H1) * D1(D2))	1224.6 * 706.2(702.2) * 33.9(34.9)	1443.5 * 829.2(825.2) * 33.9(34.9)	1721.4 * 991.4(987.4) * 33.9(35.0)	1849.0 * 1059.0(1055.1) * 34.9(36.1)
Front Opening Area (A * B * C)	1221.6 * 690.8 * 1403.4	1440.5 * 813.9 * 1654.5	1718.4 * 983.1 * 1979.7	1846.0 * 1050.7 * 2124.1
Wall Mount (a * b)	300.0 * 200.0	300.0 * 200.0	400.0 * 300.0	400.0 * 300.0
Packing Out (W * H * D)	1383 * 832 * 147	1617 * 950 * 160	1889 * 1168 * 169	2022 * 1200 * 183
Net Weight (With stand) Kg	12.6	16.5	28.8	33.9
Net Weight (Without stand) Kg	12.2	16.1	28.1	32.9
Gross Weight (Packing) Kg	17.6	23.7	37.9	45.8

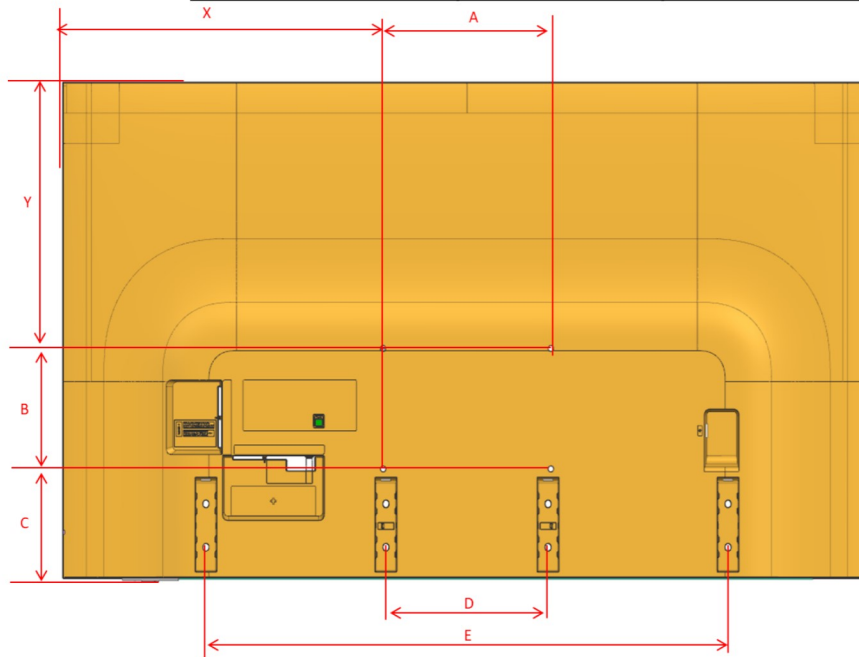


SAMSUNG IS NOT RESPONSIBLE FOR INACCURACIES. FOR CRITICAL INSTALLATIONS, IT IS STRONGLY RECOMMENDED TO CONFIRM ALL MEASURES BY USING AN ACTUAL SAMPLE MODEL INTENDED FOR A SPECIFIC INSTALLATION.

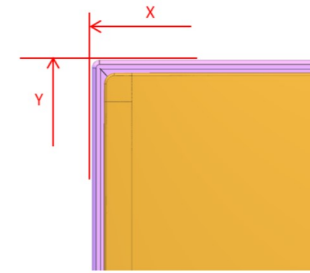
**Dimensions in millimeters (+ / - 0.1 mm)*

S85F Cover and Rear-View Dimensions

	55"	65"	77"	83"
WALL MOUNT(A*B)	300 * 200	300 * 200	400 * 300	400 * 300
C	187.6	187.4	165.4	218.6
D	240.0	290.0	330.0	350.0
E	877.4	933.6	1128.0	1230.0
X	461.8	571.8	660.7	724.5
Y	319.2	441.8	526.0	540.4
Screw Depth	19-21	19-21	19-21	19-21



※ X,Y SET's Outer Most (Chassis-Front)



※ C FUCTION's outermost

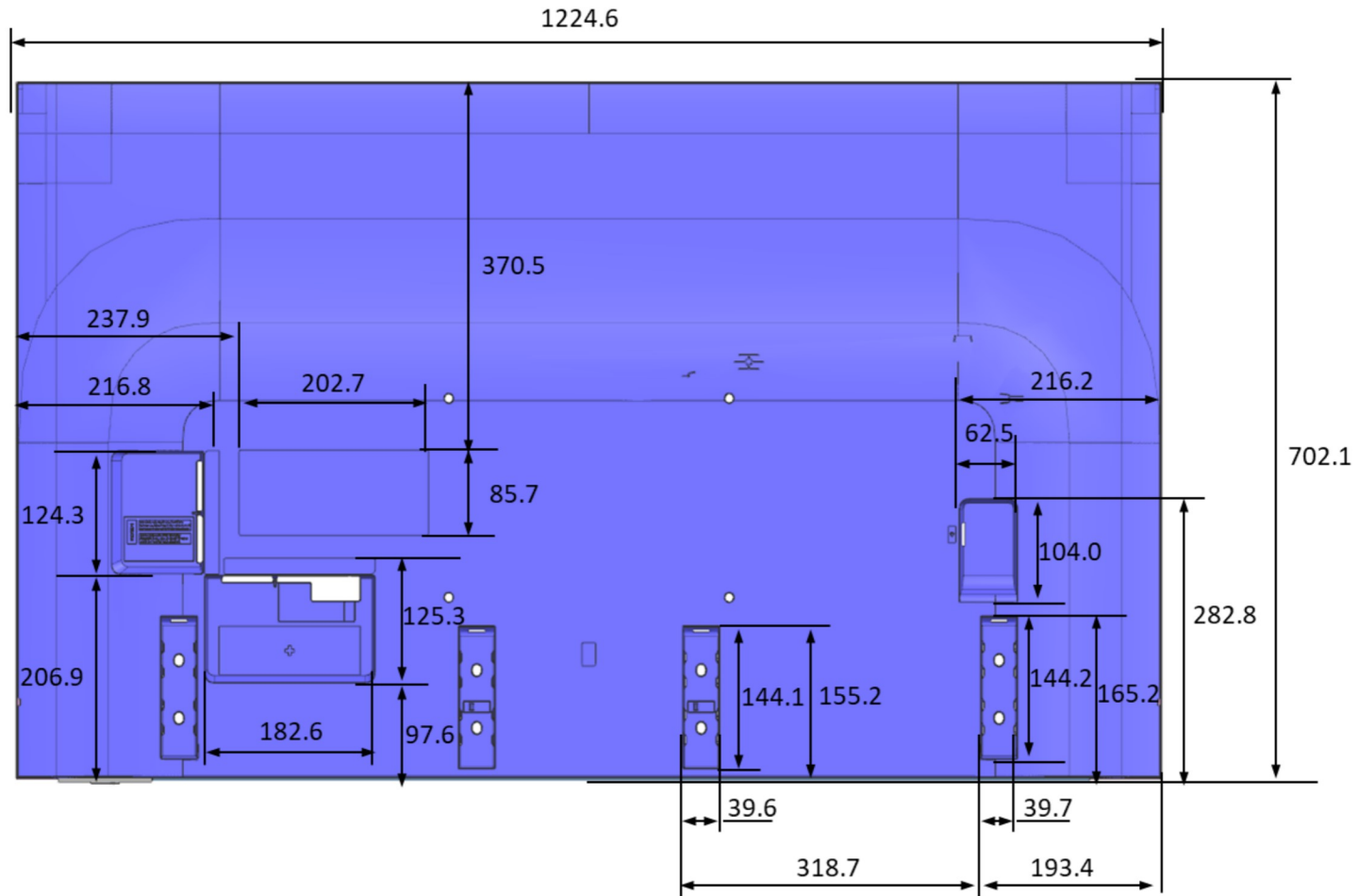


SAMSUNG IS NOT RESPONSIBLE FOR INACCURACIES. FOR CRITICAL INSTALLATIONS, IT IS STRONGLY RECOMMENDED TO CONFIRM ALL MEASURES BY USING AN ACTUAL SAMPLE MODEL INTENDED FOR A SPECIFIC INSTALLATION.

S85F

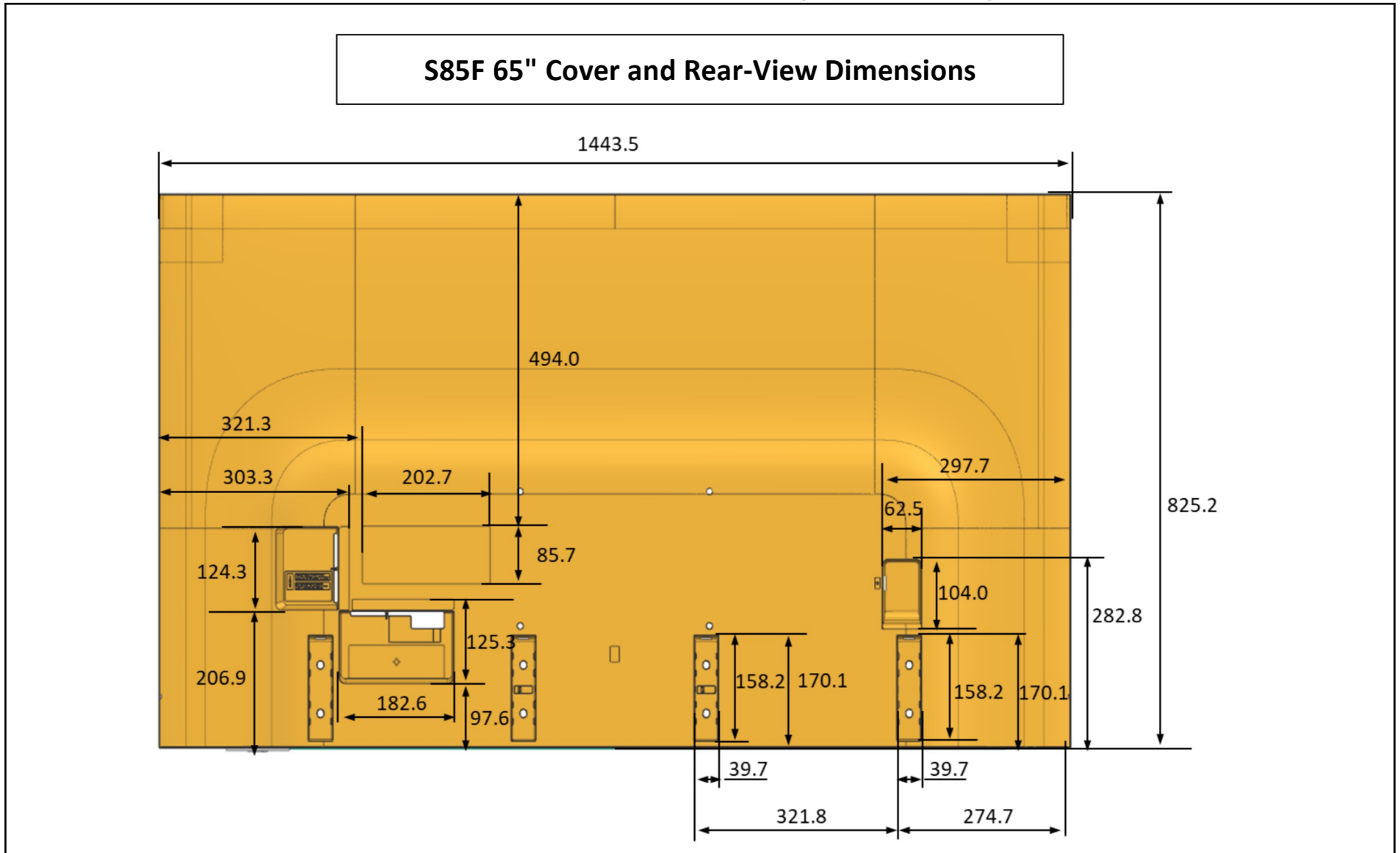
**Dimensions in millimeters (+ / - 0.1 mm)*

S85F 55" Cover and Rear-View Dimensions



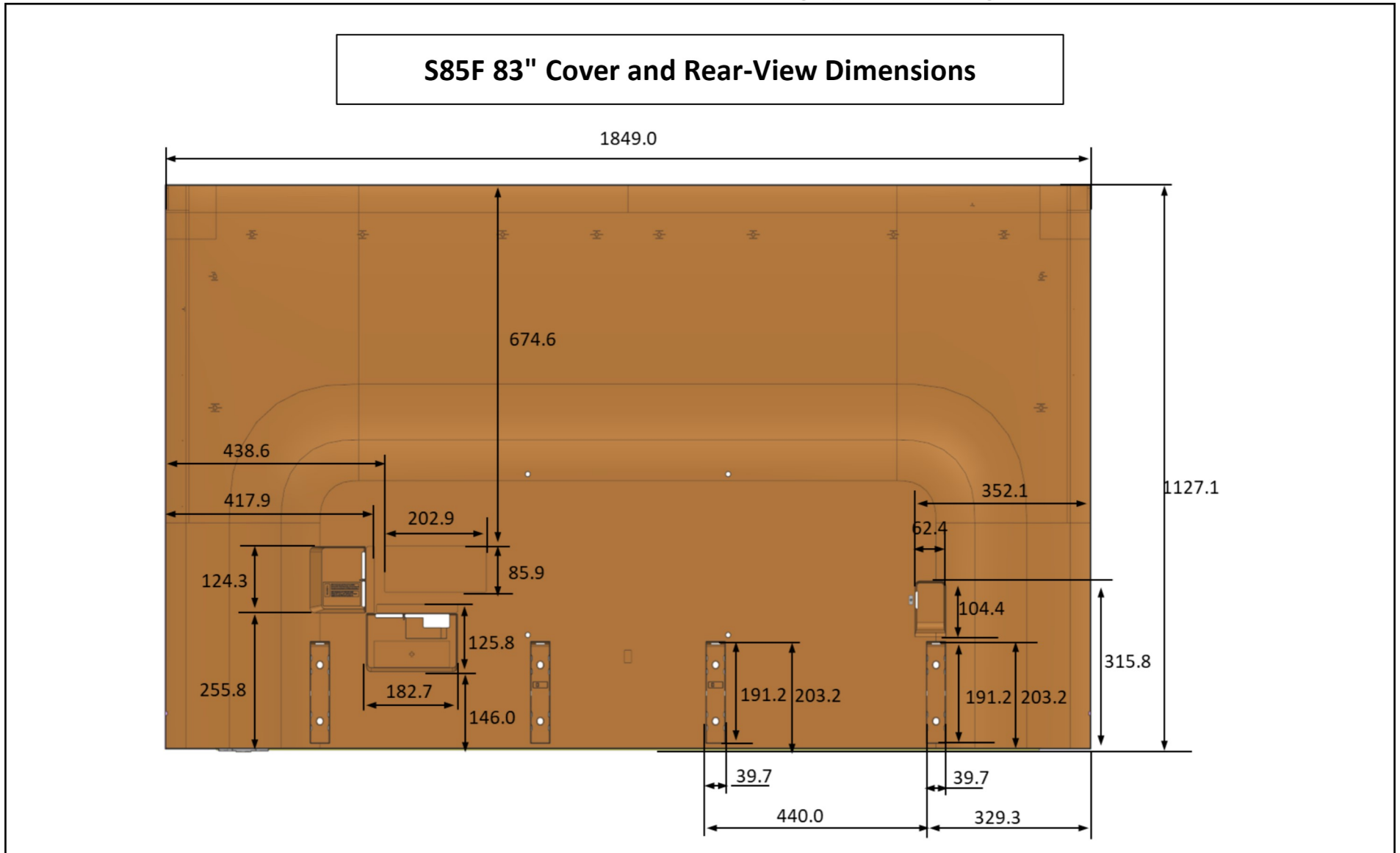
SAMSUNG IS NOT RESPONSIBLE FOR INACCURACIES. FOR CRITICAL INSTALLATIONS, IT IS STRONGLY RECOMMENDED TO CONFIRM ALL MEASURES BY USING AN ACTUAL SAMPLE MODEL INTENDED FOR A SPECIFIC INSTALLATION.

**Dimensions in millimeters (+ / - 0.1 mm)*



SAMSUNG IS NOT RESPONSIBLE FOR INACCURACIES. FOR CRITICAL INSTALLATIONS, IT IS STRONGLY RECOMMENDED TO CONFIRM ALL MEASURES BY USING AN ACTUAL SAMPLE MODEL INTENDED FOR A SPECIFIC INSTALLATION.

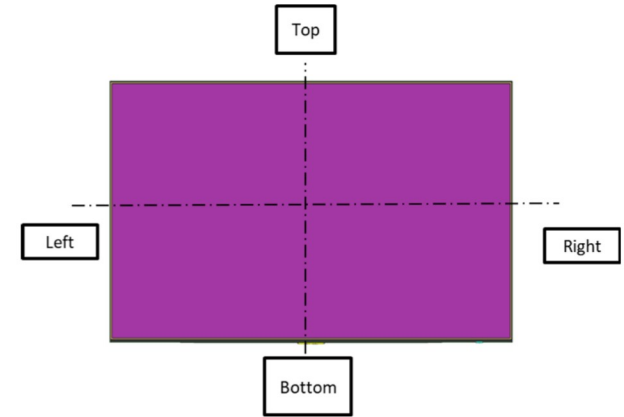
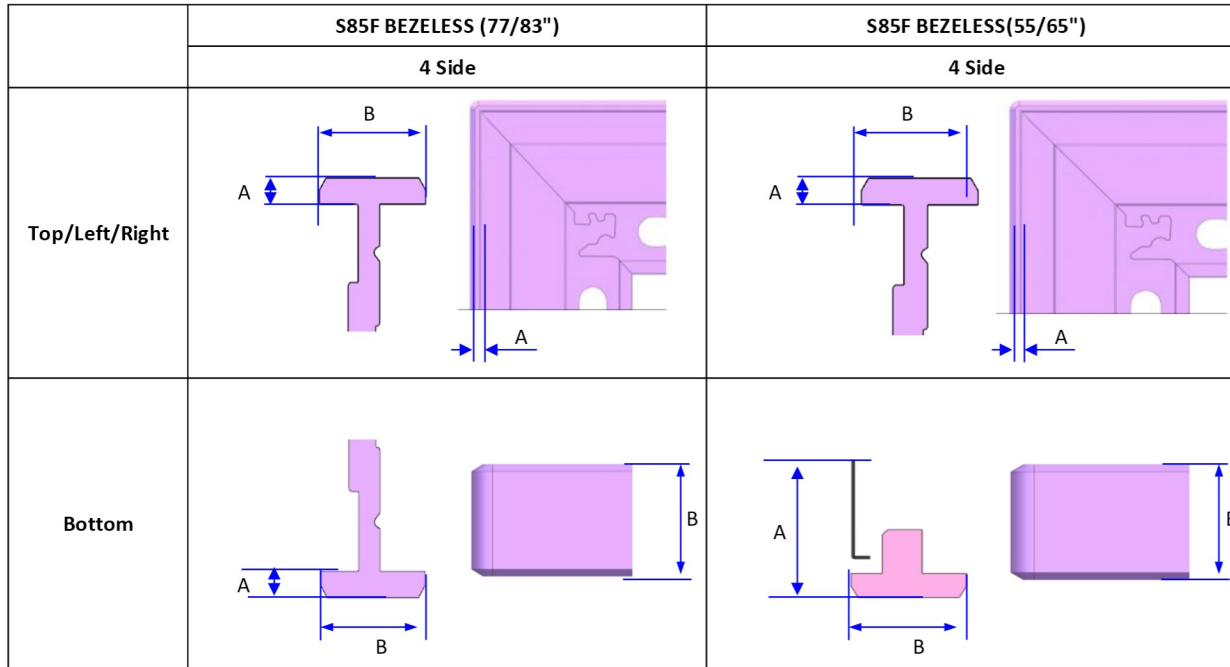
**Dimensions in millimeters (+ / - 0.1 mm)*



SAMSUNG IS NOT RESPONSIBLE FOR INACCURACIES. FOR CRITICAL INSTALLATIONS, IT IS STRONGLY RECOMMENDED TO CONFIRM ALL MEASURES BY USING AN ACTUAL SAMPLE MODEL INTENDED FOR A SPECIFIC INSTALLATION.

S85F

**Dimensions in millimeters (+ / - 0.1 mm)*



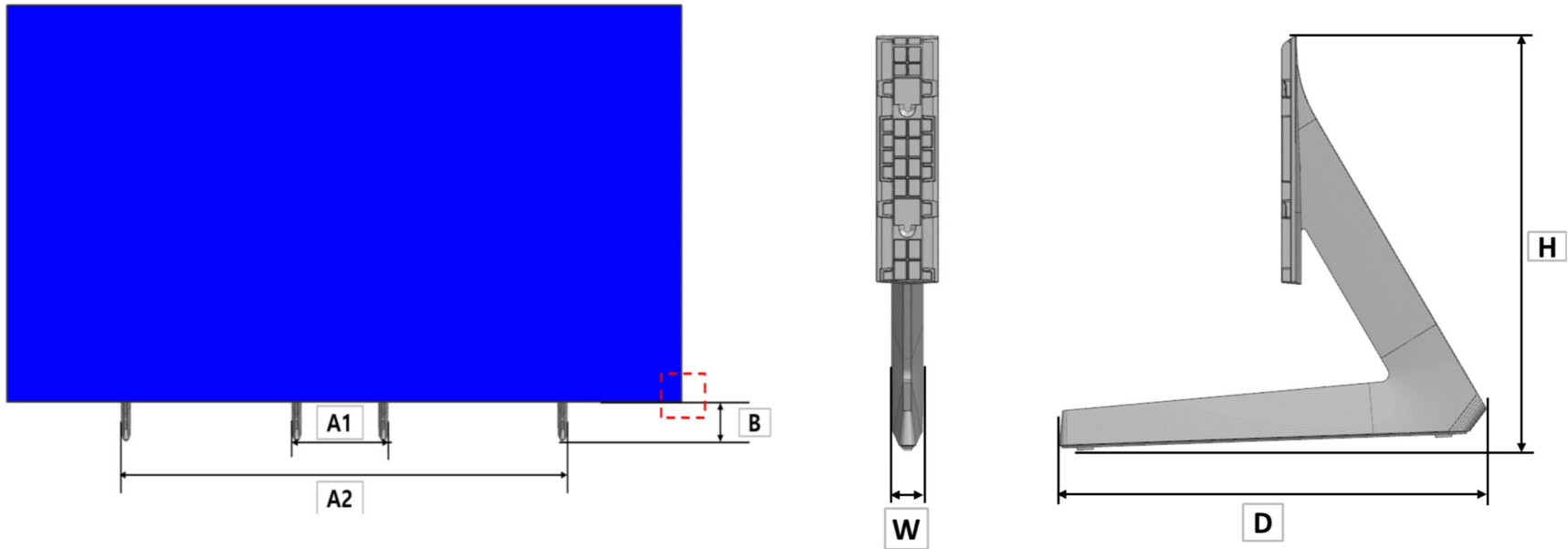
S85F Bezel Dimensions

	55"		65"		77"		83"	
	Top/Left/Right	Bottom	Top/Left/Right	Bottom	Top/Left/Right	Bottom	Top/Left/Right	Bottom
A	1.50	8.50	1.50	8.50	1.50	1.50	1.50	1.50
B	6.4	6.4	6.4	6.4	6.4	6.4	7.4	7.4

SAMSUNG IS NOT RESPONSIBLE FOR INACCURACIES. FOR CRITICAL INSTALLATIONS, IT IS STRONGLY RECOMMENDED TO CONFIRM ALL MEASURES BY USING AN ACTUAL SAMPLE MODEL INTENDED FOR A SPECIFIC INSTALLATION.

S85F

**Dimensions in millimeters (+ / - 0.1 mm)*



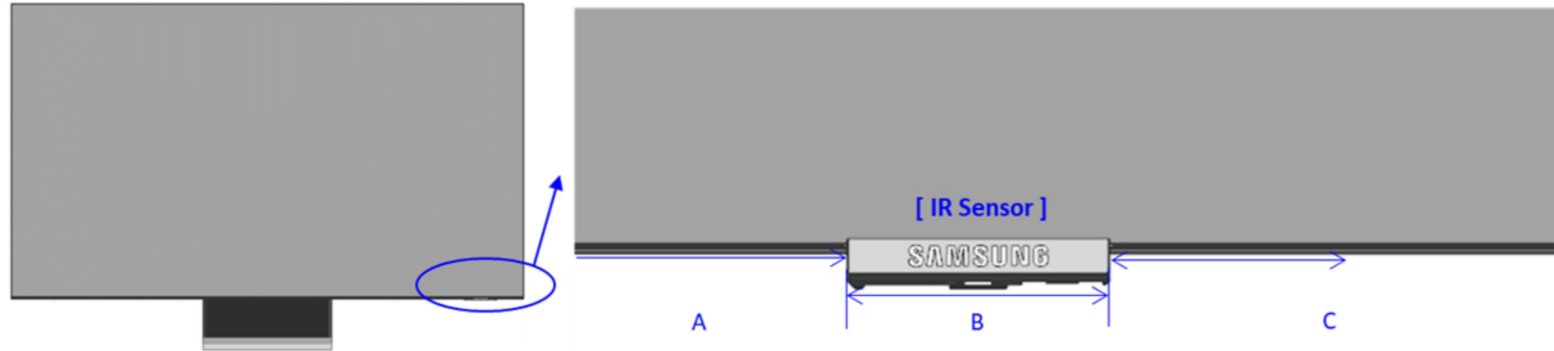
S85F Linear Simple Stand

	55"	65"	77"	83"
STAND SIZE (W*D*H)	19.5*235.3*230.8	19.5*263.3*245.6	24.0*330.2*269.1	24.0*348.7*287.1
STAND WEIGHT 1 SET (g)	400	440	744	980
IN STAND SIZE (A1)	259.5	309.5	354.0	374.0
OUT STAND SIZE (A2)	896.9	953.1	1152	1254
SOUND BAR (B)	74.1	73.4	73.9	73.4

SAMSUNG IS NOT RESPONSIBLE FOR INACCURACIES. FOR CRITICAL INSTALLATIONS, IT IS STRONGLY RECOMMENDED TO CONFIRM ALL MEASUREMENTS USING THE SPECIFIC TV TO BE INSTALLED.

**Dimensions in millimeters (+ / - 0.1 mm)*

2025 New Model IR Sensor Location



Product	Series	Inch	Item	Sensor Position	DIMENSION		
					A	B	C
	S85F	83	QN83S85FAEXZA	Right	1679.6	24.7	144.6
		77	QN77S85FAEXZA	Right	1552	24.7	144.6
		65	QN65S85FAFXZA	Right	1277.2	24.7	144.6
		55	QN55S85FAFXZA	Right	1118.1	24.7	82.8

SAMSUNG IS NOT RESPONSIBLE FOR INACCURACIES. FOR CRITICAL INSTALLATIONS, IT IS STRONGLY RECOMMENDED TO CONFIRM ALL MEASUREMENTS USING THE SPECIFIC TV TO BE INSTALLED.