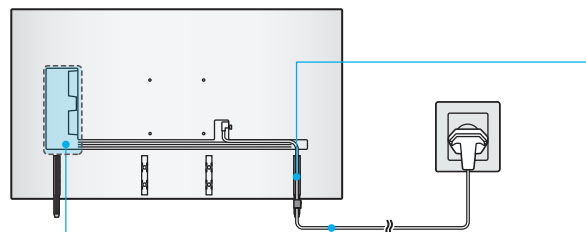


**SAMSUNG**

# Unpacking and Installation Guide

## Guide de déballage et d'installation



Power Cable  
Câble d'alimentation

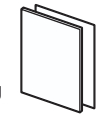


Holder-Cable  
Câble de retenue

USB	USB ↔	OPTICAL
ARC	HDMI (eARC)	LAN
HDMI	HDMI	ANT



Samsung Smart Remote  
Télécommande intelligente Samsung



Simple User Guide  
Guide d'utilisation simple  
Remote control guide  
Guide de la télécommande  
Regulatory Guide  
Guide de réglementation



Scan this QR code with your smart phone to see helpful videos.  
Scannez le code QR à l'aide de votre téléphone intelligent pour voir des vidéos utiles.

**1**

**43"**

**65"**

**2**

**50"-55"**

**3**

**43"-50"**

**55"-65"**

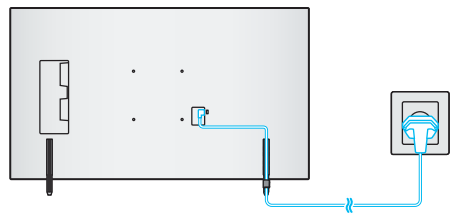
**55"-65"**

**4**

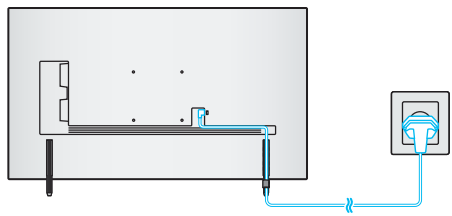
**5**



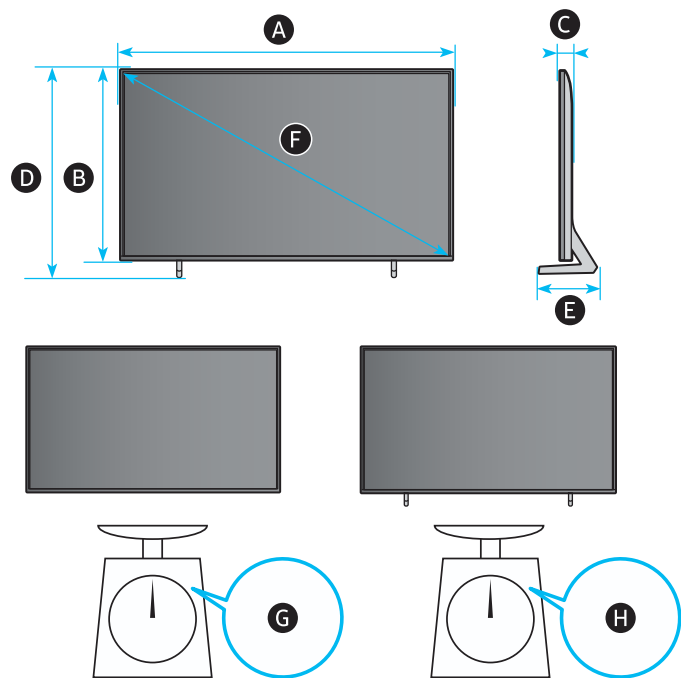
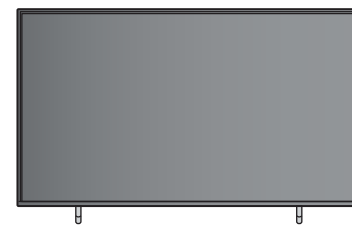
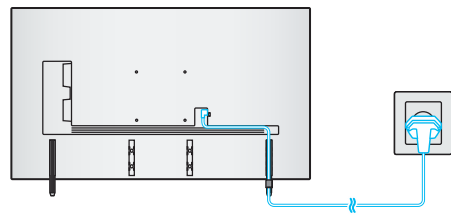
43"



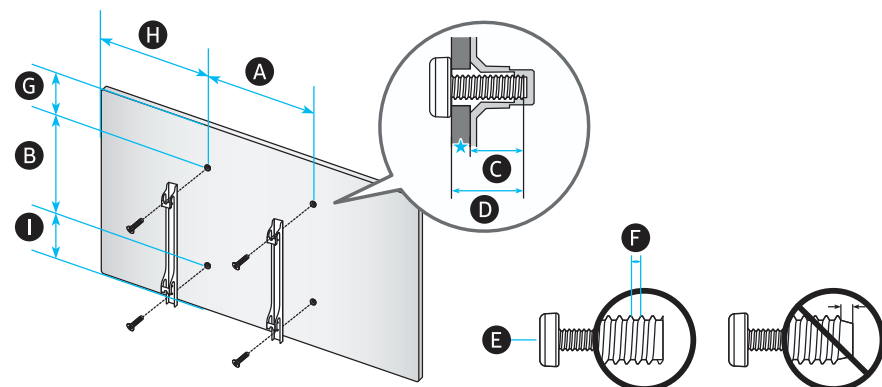
50"



55"-65"



	A	B	C	D	E	F	G	H
43Q8F	38.0 inches (965.5 mm)	22.0 inches (559.4 mm)	1.0 inches (25.7 mm)	24.2 inches (614.7 mm)	7.8 inches (198.4 mm)	42.5 inches	17.4 lbs (7.9 kg)	18.1 lbs (8.2 kg)
50Q8F	44.0 inches (1118.3 mm)	25.4 inches (644.1 mm)	1.0 inches (25.7 mm)	27.6 inches (701.5 mm)	9.4 inches (238.6 mm)	49.5 inches	23.8 lbs (10.8 kg)	24.7 lbs (11.2 kg)
55Q8F	48.5 inches (1232.1 mm)	27.9 inches (708.8 mm)	1.0 inches (25.7 mm)	30.2 inches (768.1 mm)	9.4 inches (238.6 mm)	54.6 inches	30.6 lbs (13.9 kg)	31.5 lbs (14.3 kg)
65Q8F	57.1 inches (1450.9 mm)	32.7 inches (831.8 mm)	1.0 inches (25.7 mm)	35.0 inches (890.0 mm)	10.6 inches (270.4 mm)	64.5 inches	45.6 lbs (20.7 kg)	46.7 lbs (21.2 kg)



	VESA A x B (mm)	C (mm)	D	E x 4	F (mm)	G (inches)	H (inches)	I (inches)
43Q8F	200 x 200	11-13	C + ★	M8	1.25	7.4	15.1	6.8
8.2						18.1	9.3	
55Q8F	400 x 300					10.5	20.3	9.6
10.4						20.7	10.5	

★ : Wall-Mount Bracket  
★ : Fixation pour le support mural