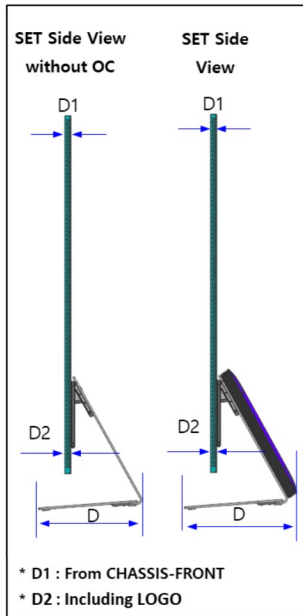


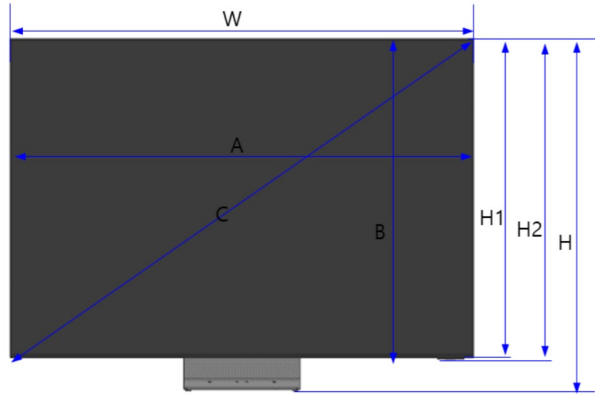
# QN990F

*\*Dimensions in millimeters (+ / - 0.1 mm)*

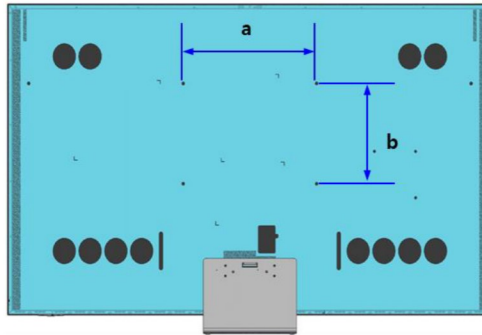


## QN990F 98" SET DIMENSION

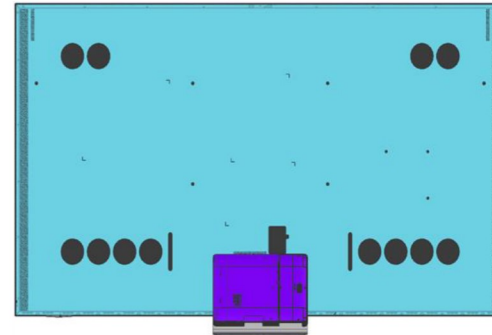
|   | QN990F 98"                           |
|---|--------------------------------------|
| SET(With stand)<br>(W * H * D)              | 2179.0 * 1316.4 * 369.6              |
| SET(With stand & With OC)<br>(W * H * D)    | 2179.0 * 1316.4 * 388.2              |
| SET(Without stand)<br>(W * H1(H2) * D1(D2)) | 2179.0 * 1240.3(1245.3) * 19.9(21.9) |
| * Front Opening Area<br>(A * B * C)         | 2177.0 * 1238.5 * 2504.6             |
| Wall Mount<br>(a * b)                       | 600 * 400                            |
| Packing Out<br>(W * H * D)                  | 2370 * 1420 * 230                    |
| Net Weight<br>(With stand) Kg               | 86.5                                 |
| Net Weight<br>(Without stand) Kg            | 68.0                                 |
| Gross Weight<br>(Packing) Kg                | 112.4                                |



SET Front View



SET Rear View without OC



SET Rear View with OC

... LOGO

1) H : Includes Rubber-Foot  
2) H1 : Representative Dimension, Outermost dimension of Chassis-Front  
3) H2 : Includes Logo

*SAMSUNG IS NOT RESPONSIBLE FOR INACCURACIES. FOR CRITICAL INSTALLATIONS, IT IS STRONGLY RECOMMENDED TO CONFIRM ALL MEASURES BY USING AN ACTUAL SAMPLE MODEL INTENDED FOR A SPECIFIC INSTALLATION.*

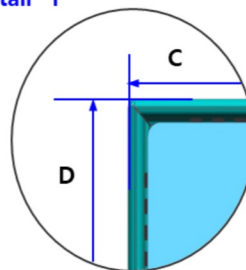
*\*Dimensions in millimeters (+ / - 0.1 mm)*

## QN990F 98" COVER-REAR DIMENSION

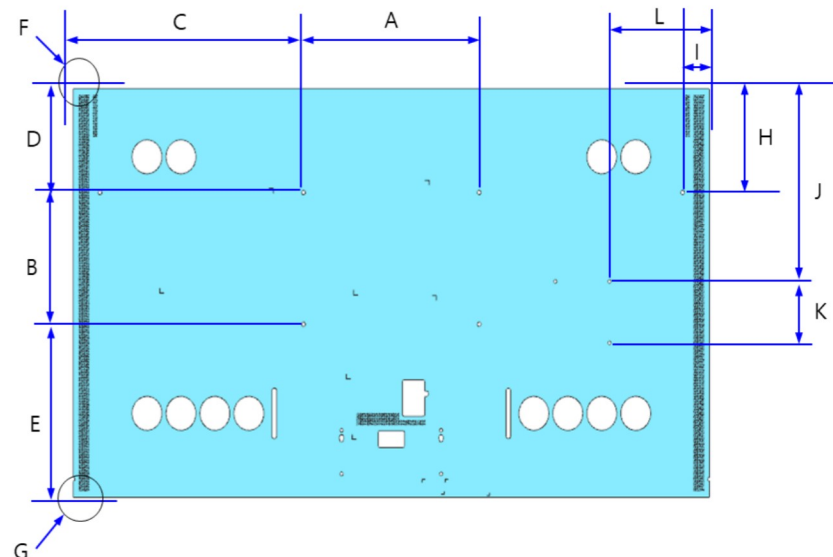
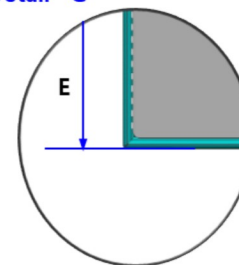
|                       |   | QN990F    |
|-----------------------|---|-----------|
|                       |   | 98"       |
| VESA WALL MOUNT (AXB) |   | 600 X 400 |
| C                     |   | 786.8     |
| D                     |   | 313.9     |
| E                     |   | 521.0     |
| Screw Depth           |   | 5-6       |
| SLIM WALL MOUNT       | H | 313.9     |
|                       | I | 91.8      |
| WALL MOUNT OC         | J | 585.0     |
|                       | K | 185.0     |
|                       | L | 341.8     |
|                       | M |           |

※ C,D  
1) SET's Outermost spec (Chassis-Front & C/Rear)

Detail "F"



Detail "G"

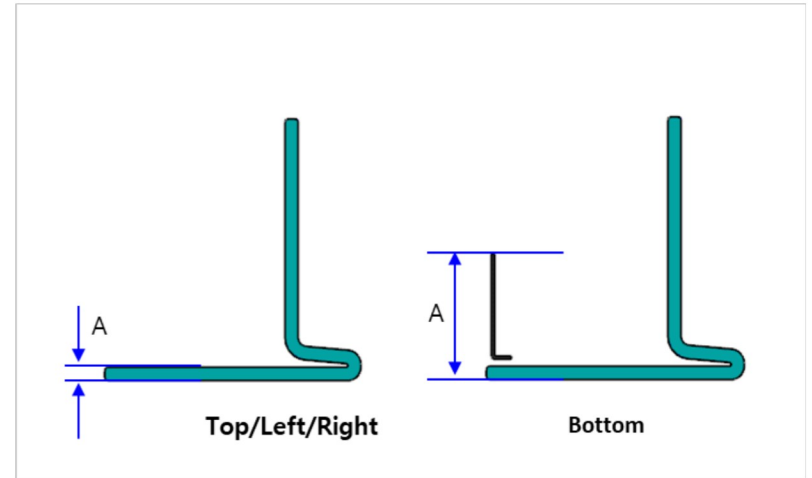
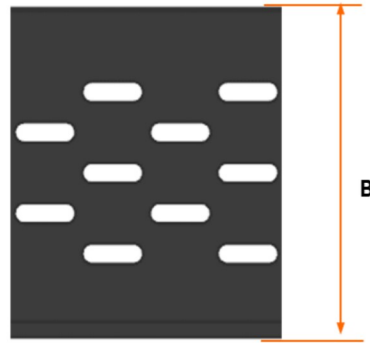
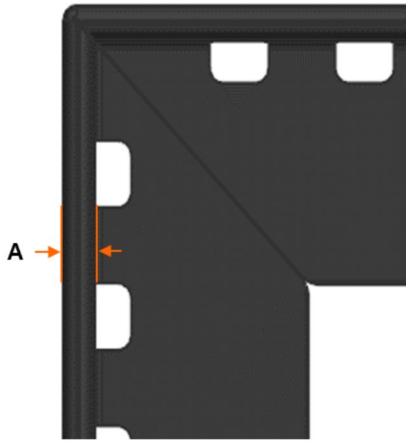


*SAMSUNG IS NOT RESPONSIBLE FOR INACCURACIES. FOR CRITICAL INSTALLATIONS, IT IS STRONGLY RECOMMENDED TO CONFIRM ALL MEASURES BY USING AN ACTUAL SAMPLE MODEL INTENDED FOR A SPECIFIC INSTALLATION.*



# QN990F

*\*Dimensions in millimeters (+ / - 0.1 mm)*



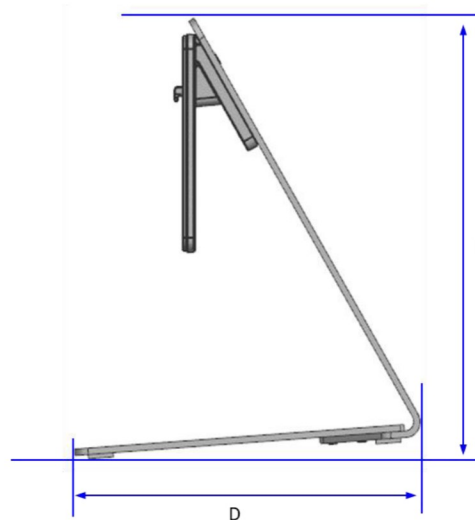
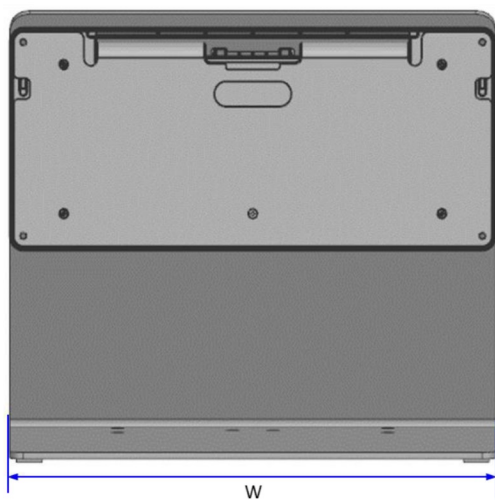
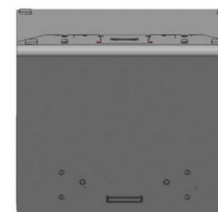
## QN990F 98" Bezel Size

|   | QN990F         |        |
|---|----------------|--------|
|   | 98"            |        |
|   | Top/Left/Right | Bottom |
| A | 1.0            | 10.2   |
| B | 20.7           |        |

*SAMSUNG IS NOT RESPONSIBLE FOR INACCURACIES. FOR CRITICAL INSTALLATIONS, IT IS STRONGLY RECOMMENDED TO CONFIRM ALL MEASURES BY USING AN ACTUAL SAMPLE MODEL INTENDED FOR A SPECIFIC INSTALLATION.*

## QN990F 98" Stand Dimensions

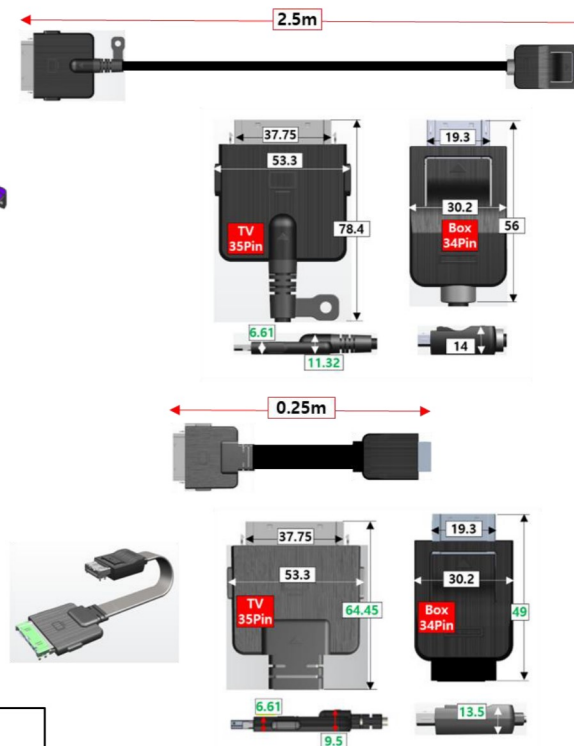
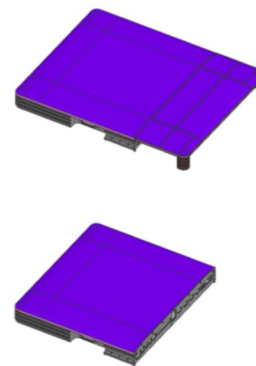
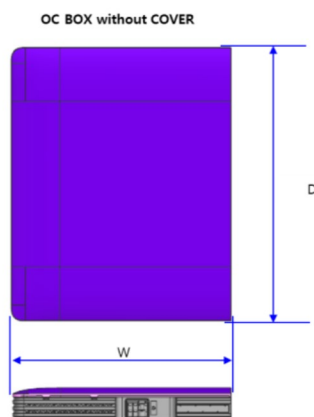
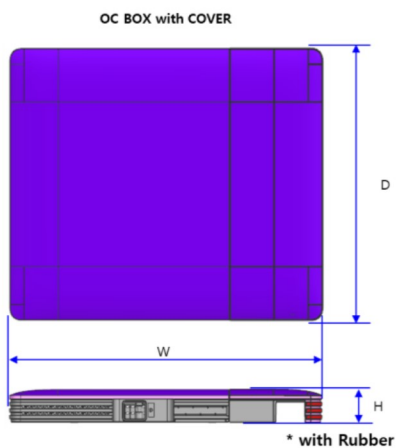
|                  | QN990F               |
|------------------|----------------------|
|                  | 98"                  |
| STAND<br>(W*H*D) | 420.0* 369.6 * 293.2 |



*SAMSUNG IS NOT RESPONSIBLE FOR INACCURACIES. FOR CRITICAL INSTALLATIONS, IT IS STRONGLY RECOMMENDED TO CONFIRM ALL MEASUREMENTS USING THE SPECIFIC TV TO BE INSTALLED.*

# QN990F

*\*Dimensions in millimeters (+ / - 0.1 mm)*



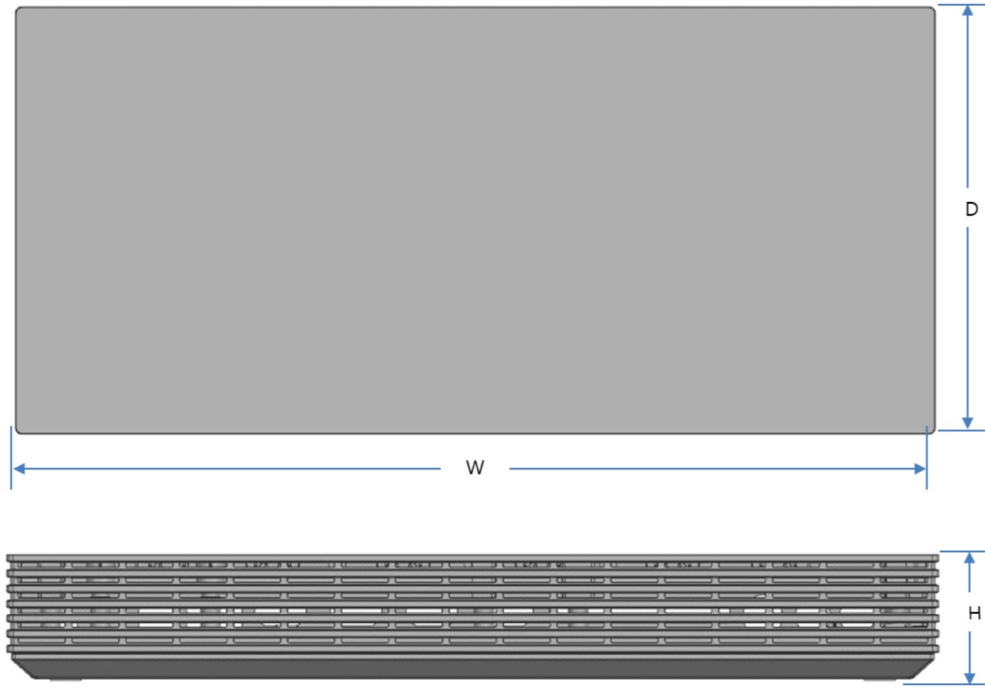
## QN990F 98" Power One Connect Box

|  | QN990F-98            |
|--|----------------------|
| OC BOX (with COVER-OC CABLE)<br>(W*H*D)    | 419.9 * 39.7 * 330.0 |
| OC BOX (without COVER-OC CABLE)<br>(W*H*D) | 295.1 * 39.7 * 330.0 |

*SAMSUNG IS NOT RESPONSIBLE FOR INACCURACIES. FOR CRITICAL INSTALLATIONS, IT IS STRONGLY RECOMMENDED TO CONFIRM ALL MEASUREMENTS USING THE SPECIFIC TV TO BE INSTALLED.*

# QN990F

*\*Dimensions in millimeters (+ / - 0.1 mm)*

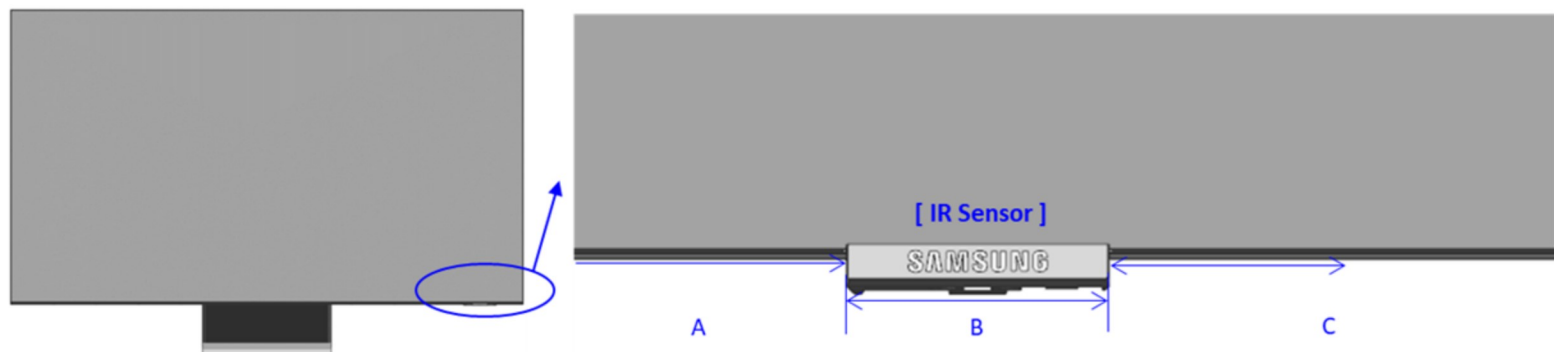


**QN990F Wireless One Connect Box**

|                           |                             |
|---------------------------|-----------------------------|
|                           |                             |
| <b>OC BOX<br/>(W*H*D)</b> | <b>295.9 * 37.9 * 127.4</b> |

*SAMSUNG IS NOT RESPONSIBLE FOR INACCURACIES. FOR CRITICAL INSTALLATIONS,  
IT IS STRONGLY RECOMMENDED TO CONFIRM ALL MEASUREMENTS USING THE SPECIFIC TV TO BE INSTALLED.*

## 2025 New Model IR Sensor Information



| Product     | Series | Inch | Item           | Sensor Position | DIMENSION |      |       |
|-------------|--------|------|----------------|-----------------|-----------|------|-------|
|             |        |      |                |                 | A         | B    | C     |
| Neo QLED 8K | QN990F | 98   | QN98QN990FFXZA | Right           | 1972.1    | 24.7 | 182.2 |
|             |        | 85   | QN85QN990FFXZA | Right           | 1698.6    | 24.8 | 154.0 |
|             |        | 75   | QN75QN990FFXZA | Right           | 1495.1    | 24.8 | 135.3 |
|             |        | 65   | QN65QN990FFXZA | Right           | 1291.8    | 24.8 | 116.9 |

*SAMSUNG IS NOT RESPONSIBLE FOR INACCURACIES. FOR CRITICAL INSTALLATIONS, IT IS STRONGLY RECOMMENDED TO CONFIRM ALL MEASUREMENTS USING THE SPECIFIC TV TO BE INSTALLED.*