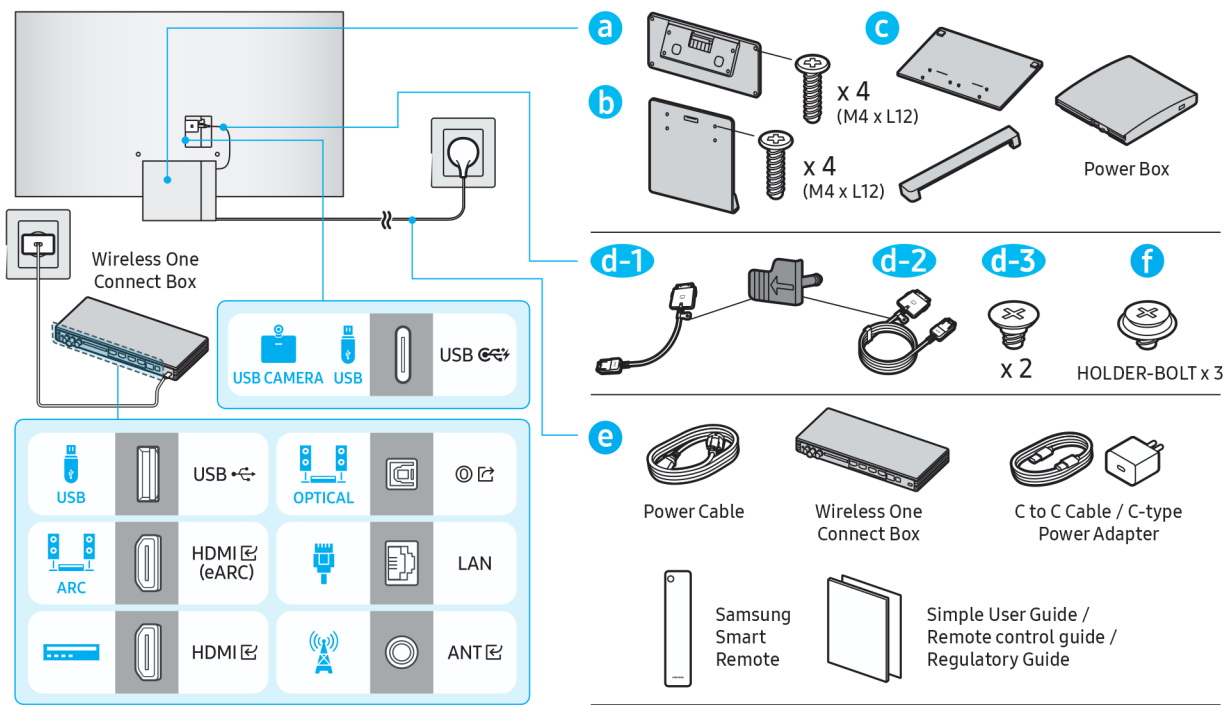
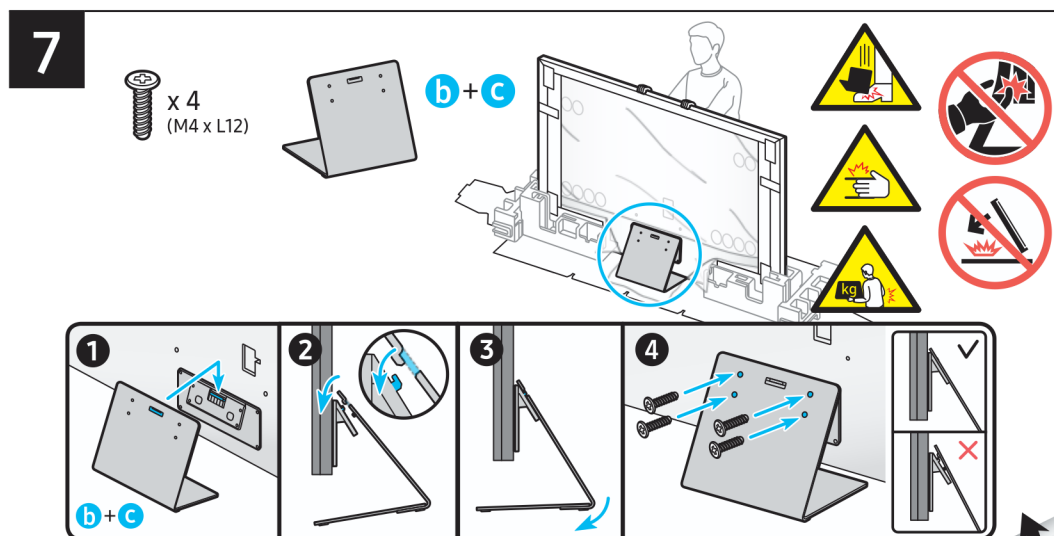
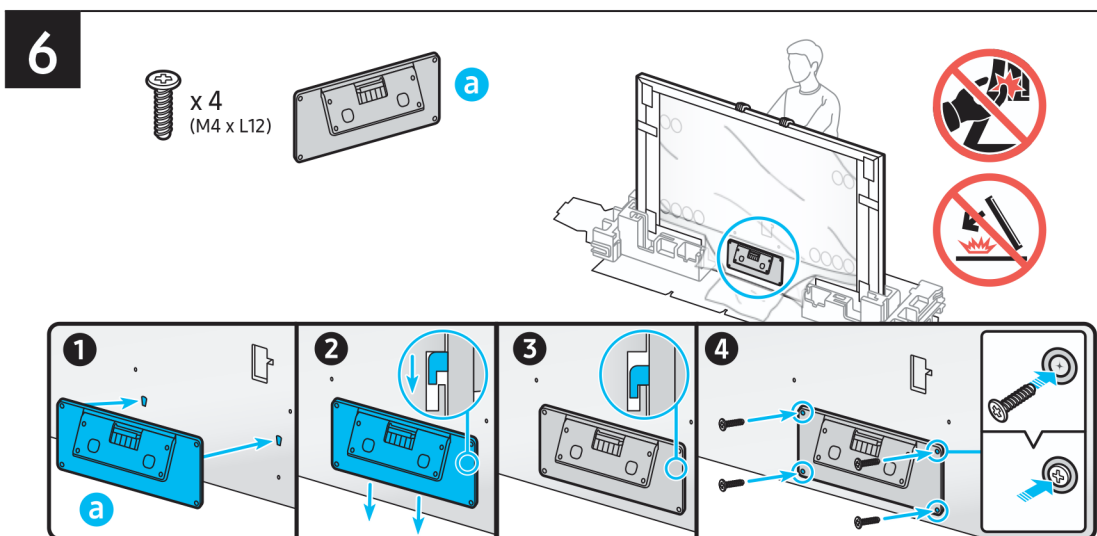
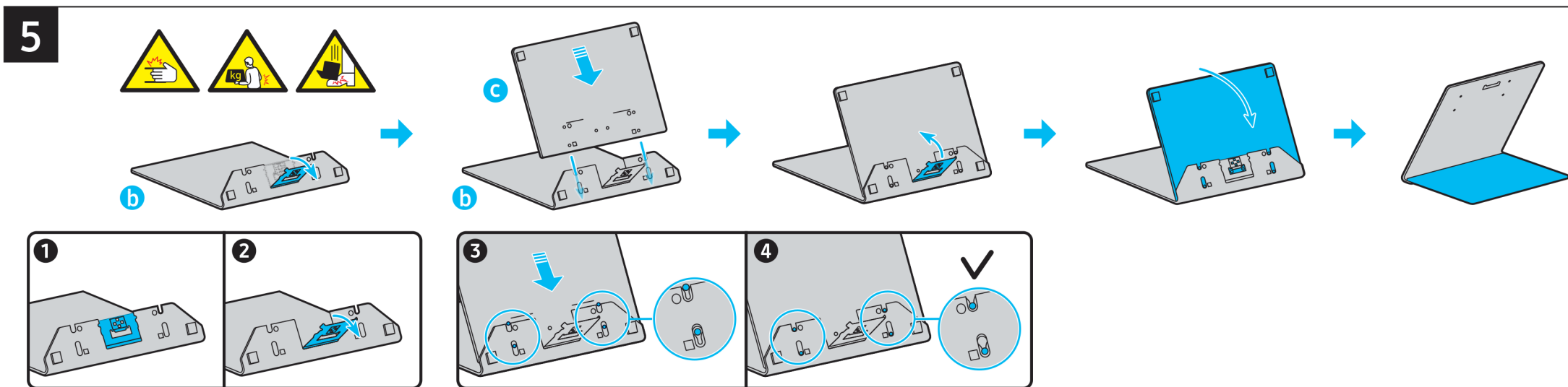
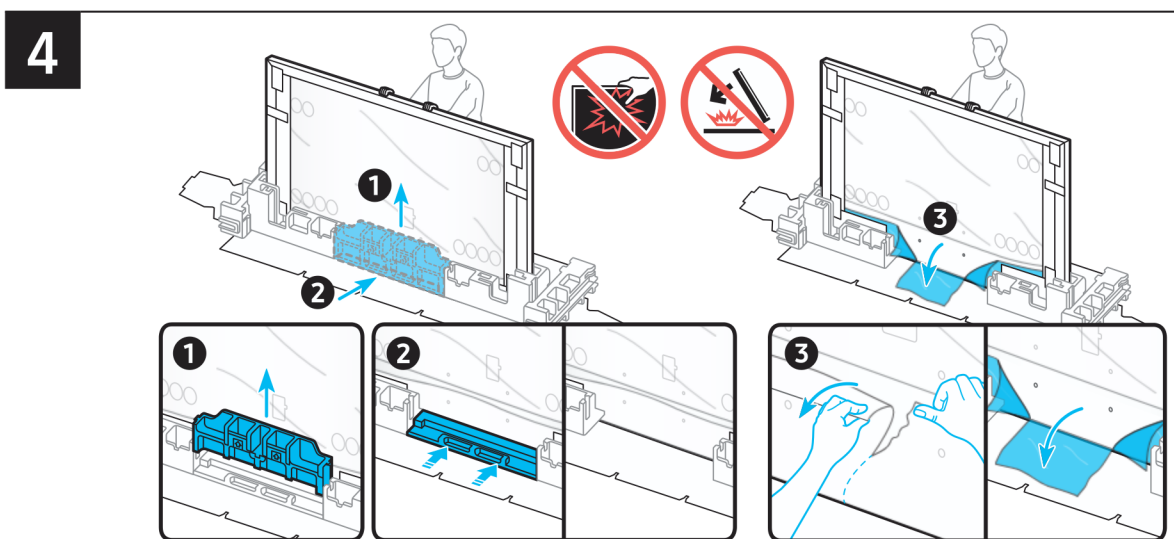
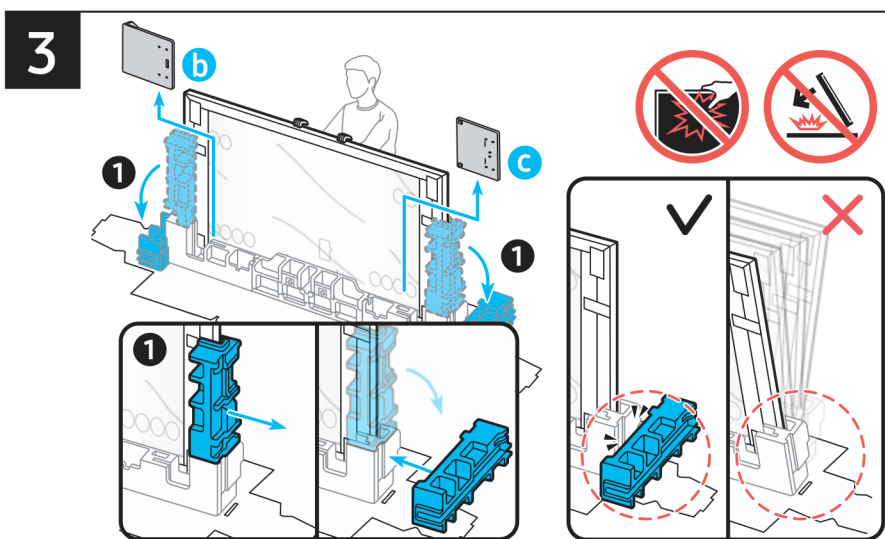
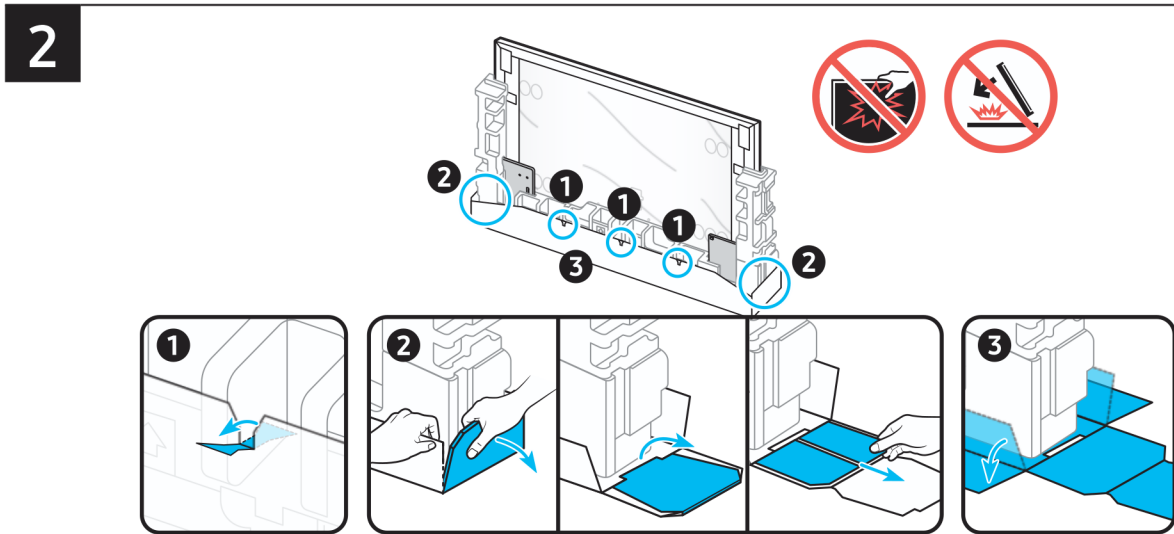
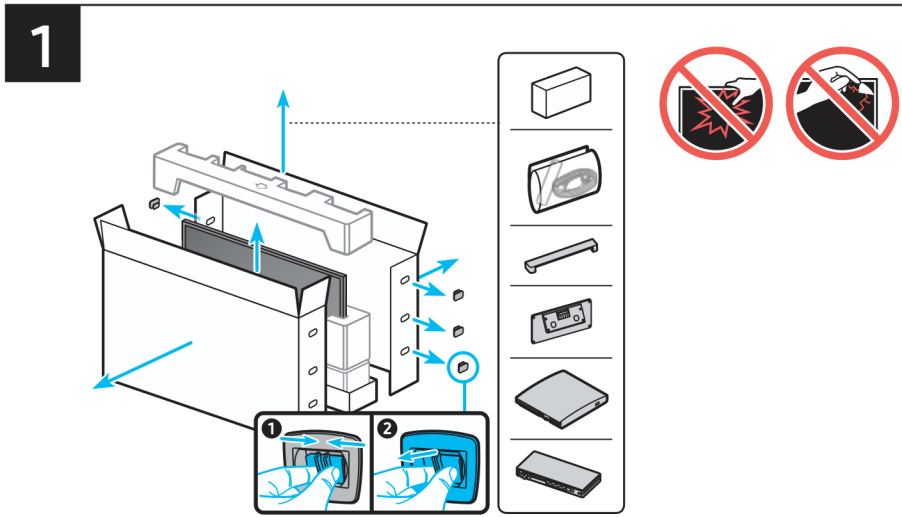


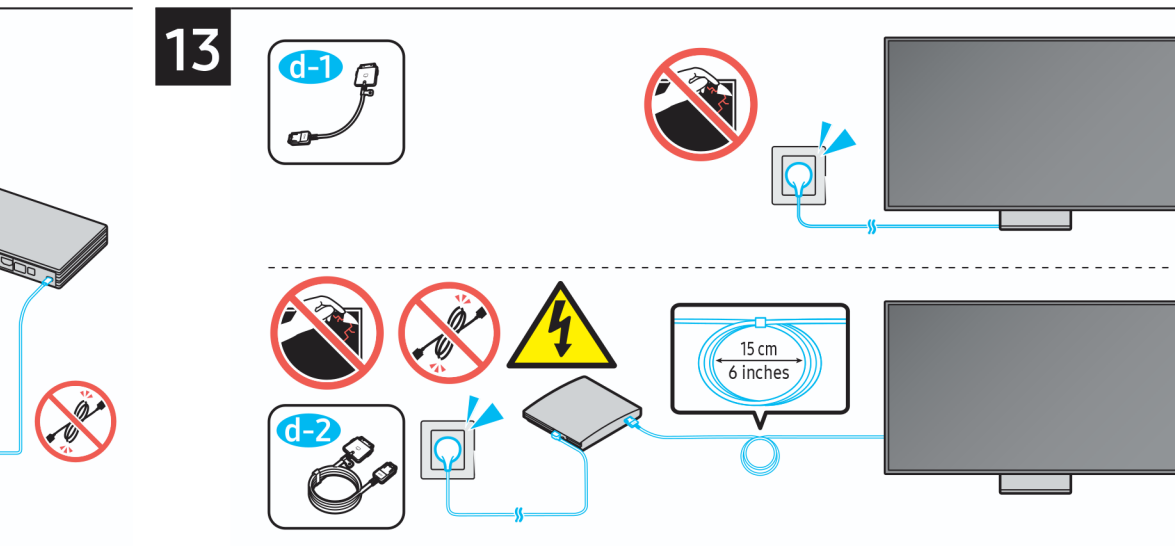
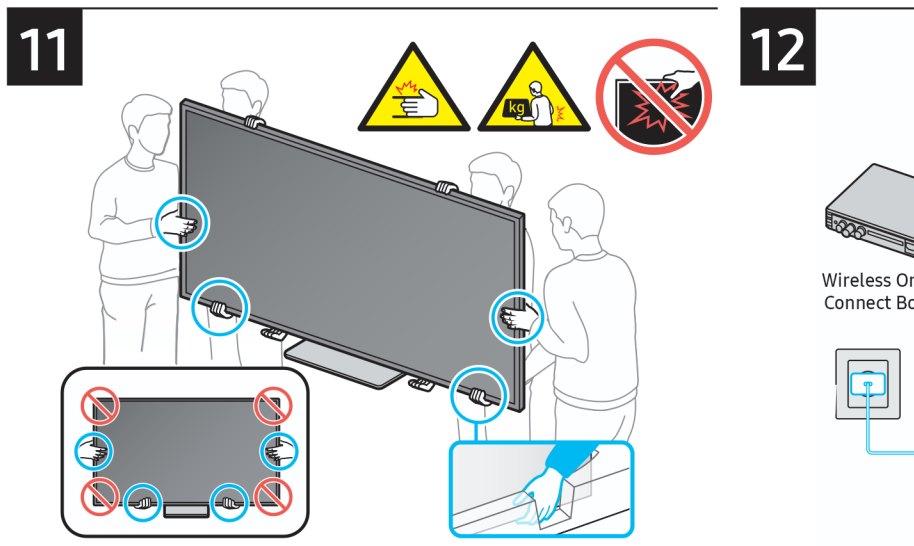
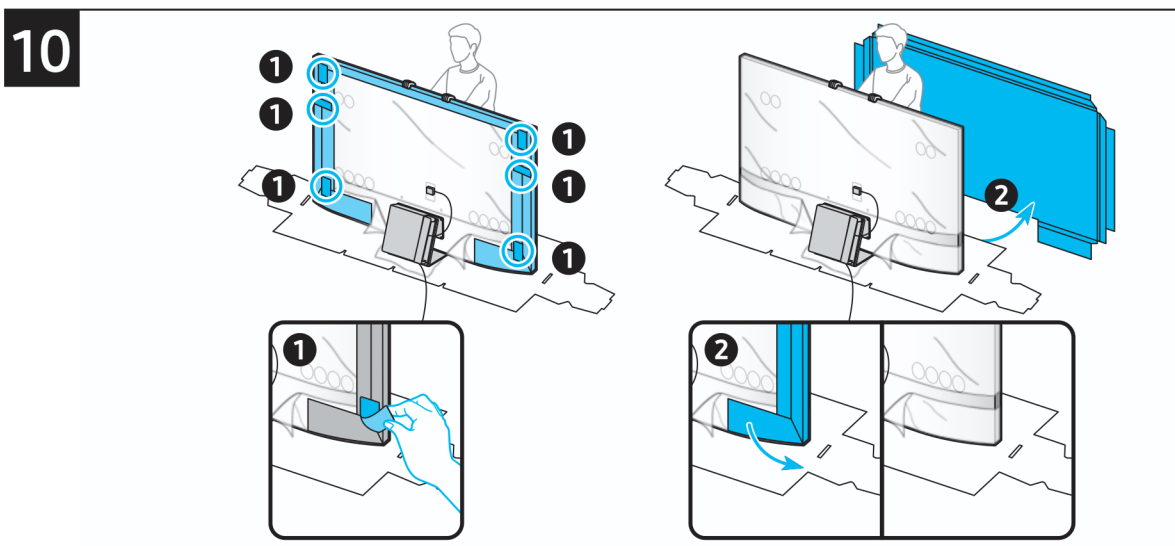
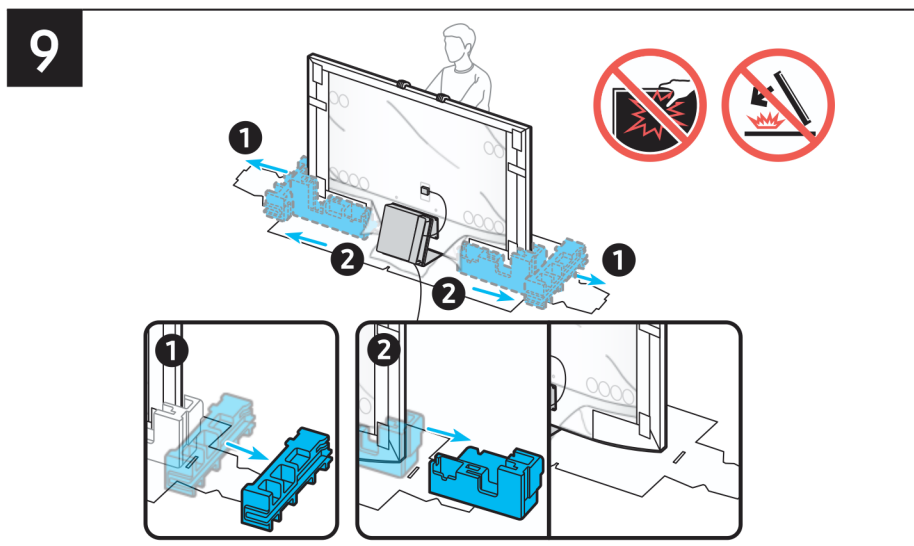
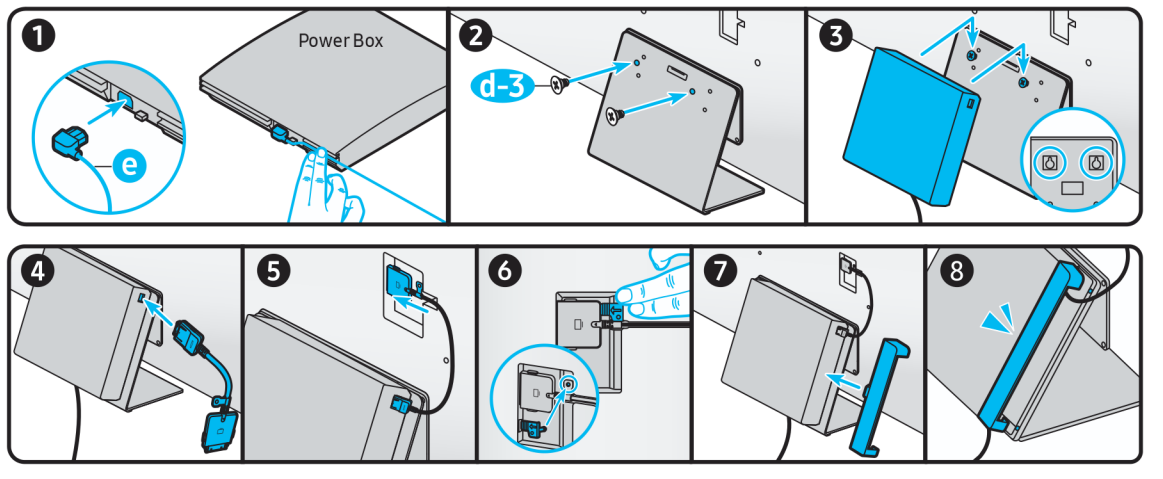
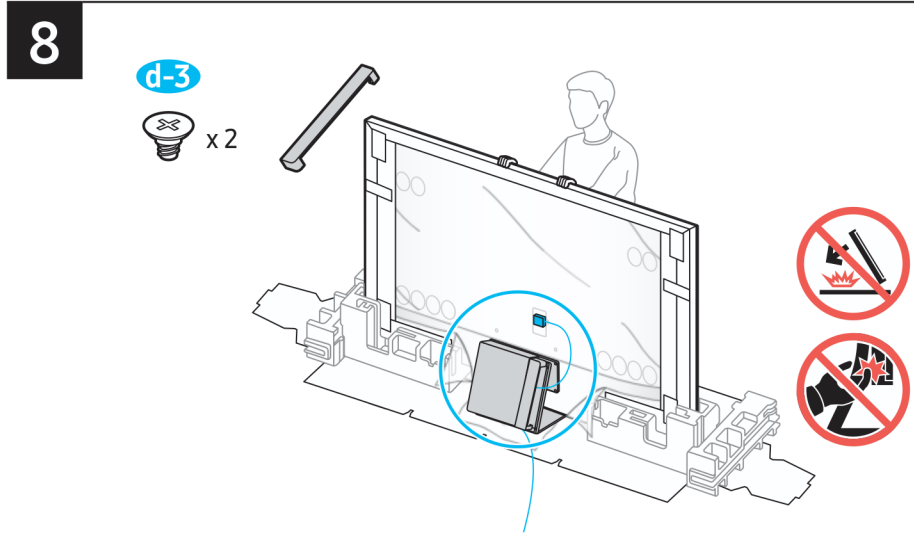
SAMSUNG

Unpacking and Installation Guide



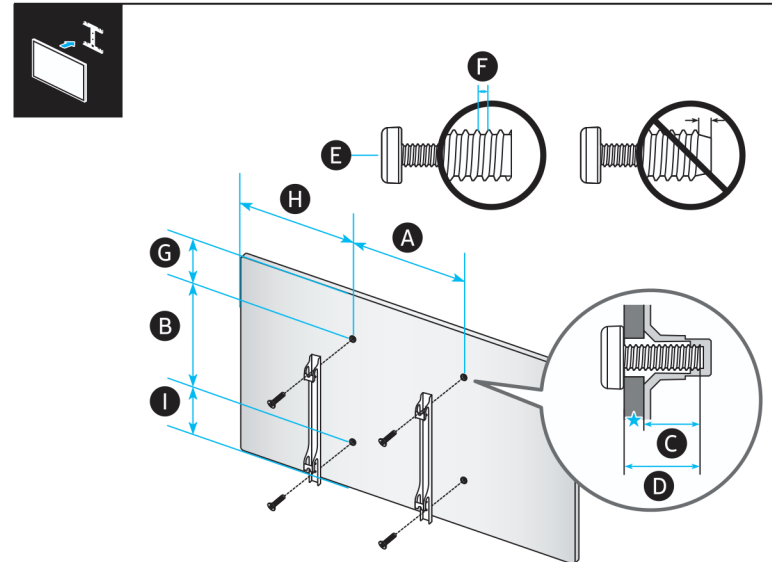
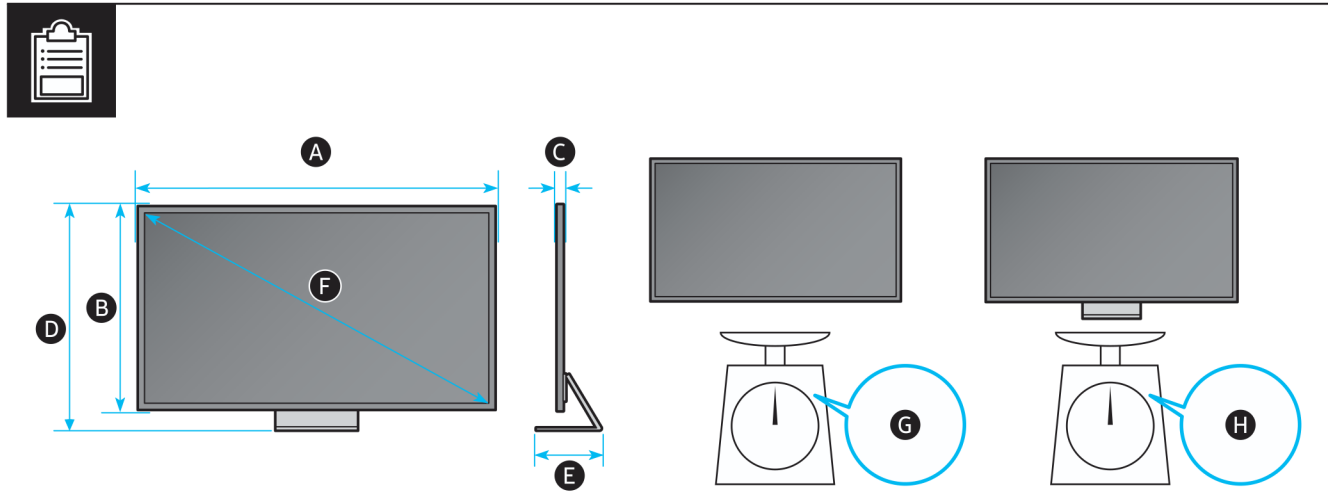
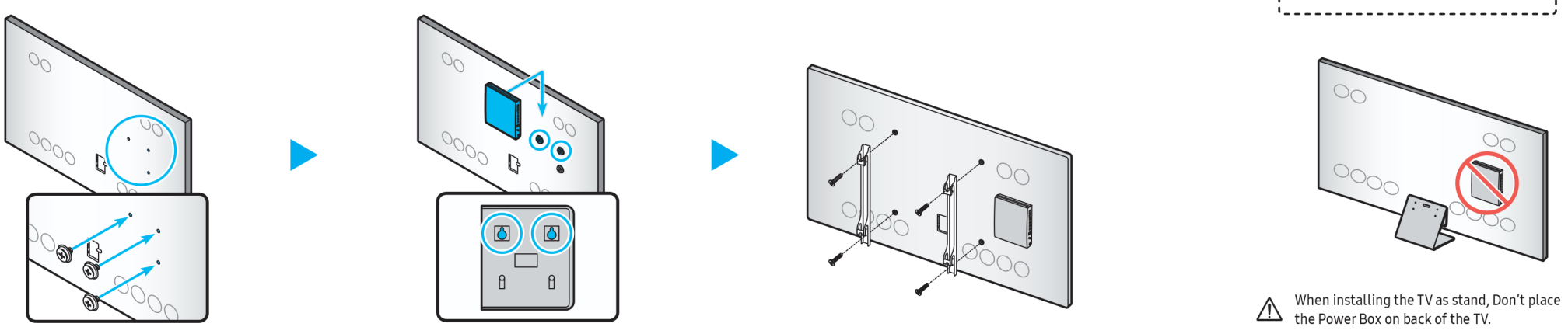
Scan this QR code with your smart phone to see helpful videos.





* When installing the TV as wallmount, You can place the Power Box as shown below.

f HOLDER-BOLT x 3



*: 0-9, A-Z

	A	B	C	D	E	F	G	H
98QN9**F	85.8 inches (2179.0 mm)	48.8 inches (1240.3 mm)	0.8 inches (19.9 mm)	51.8 inches (1316.4 mm)	14.6 inches (369.6 mm)	97.5 inches	150.0 lbs (68.0 kg)	190.7 lbs (86.5 kg)

*: 0-9, A-Z

★ : Wall-Mount Bracket

	VESA A x B (mm)	C (mm)	D	E x 4	F (mm)	G (inches)	H (inches)	I (inches)
98QN9**F	600 x 400	5-6	C + ★	M8	1.25	12.4	31.0	20.5