

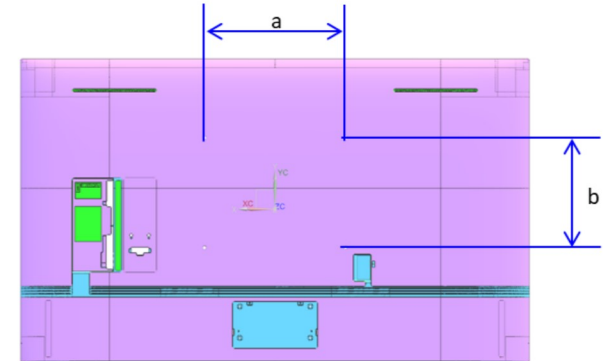
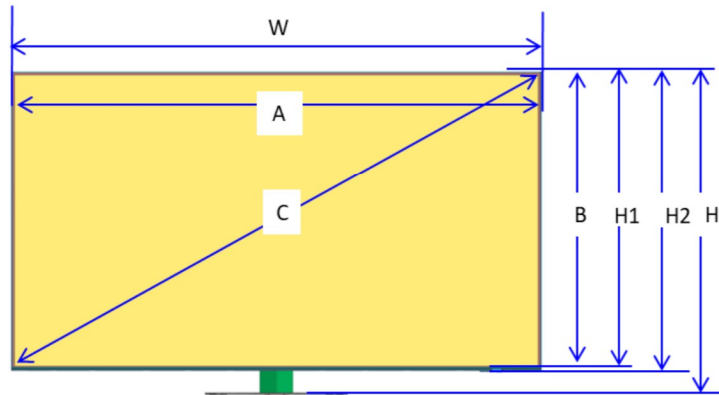
QN90D

***Dimensions in millimeters (+ / - 0.1 mm)**

QN90D Set Dimension

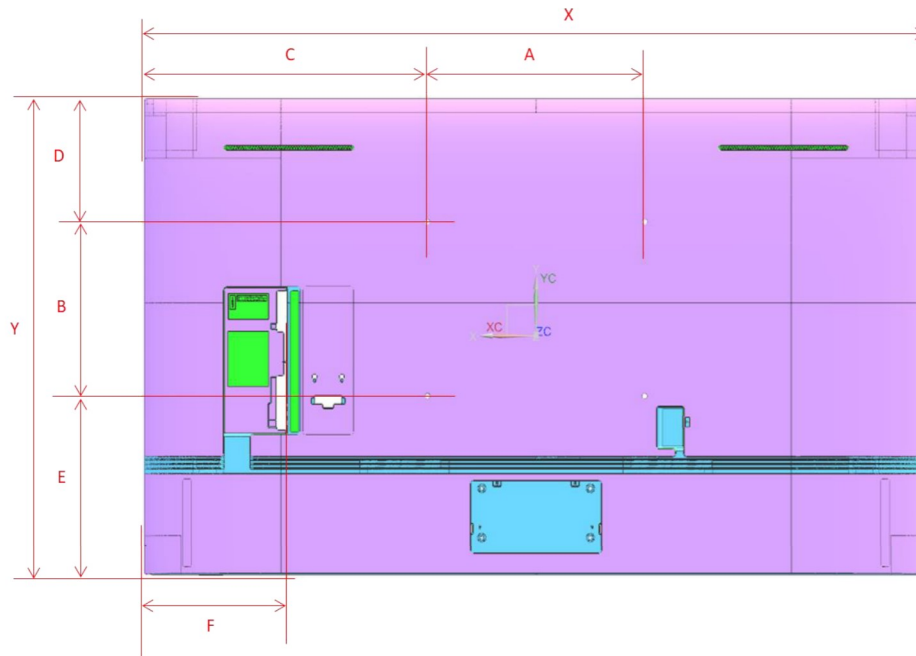
※ Height Type
 1) H : Includes Rubber-Foot (2.0T)
 2) H1 : Representative Dimension. Outermost dimension of Chassis-Front.
 3) H2 : Includes Logo

	43"	50"	55"	65"	75"	85"	98"
SET(With stand) (W * H * D)	960.8 * 619.9 * 220.0	1113.6 * 705.4 * 220.0	1227.4 * 768.2 * 237.0	1446.3 * 891.3 * 270.6	1670.0 * 1017.2 * 301.2	1892.2 * 1143.0 * 321.3	2185.1 * 1305.9 * 364.9
SET(Without stand) (W * H2 * D1)	960.8 * 558.9 * 26.9	1113.6 * 644.1 * 26.9	1227.4 * 705.6 * 26.9	1446.3 * 828.7 * 26.9	1670.0 * 957.4 * 27.7	1892.2 * 1081.9 * 27.9	2185.1 * 1249.3 * 31.1
Front Opening Area (A * B * C)	954.4 * 537.4 * 1095.3	1107.6 * 623.6 * 1271.1	1221.4 * 690.0 * 1402.8	1440.3 * 813.1 * 1654.0	1664.0 * 940.1 * 1911.2	1886.2 * 1065.1 * 2166.1	2174.1 * 1223.4 * 2494.7
Wall Mount (Vesa) (a * b)	200 * 200	200 * 200	200 * 200	400 * 300	400 * 400	600 * 400	600 * 400
Packing Out (W * H * D)	1164 * 667 * 140	1317 * 767 * 140	1448 * 826 * 170	1622 * 935 * 185	1884 * 1118 * 191	2141 * 1245 * 230	2370*1420*275
Net Weight (With stand) Kg	13.4	17.6	20.6	27.5	39.7	49.9	70.6
Net Weight (Without stand) Kg	9.4	13.5	17.68	24.2	34.1	43.5	61.4
Gross Weight (Package) Kg	17.5	22.5	26.2	35.4	50.2	63.3	92.7



SAMSUNG IS NOT RESPONSIBLE FOR INACCURACIES. FOR CRITICAL INSTALLATIONS, IT IS STRONGLY RECOMMENDED TO CONFIRM ALL MEASURES BY USING AN ACTUAL SAMPLE MODEL INTENDED FOR A SPECIFIC INSTALLATION.

**Dimensions in millimeters (+ / - 0.1 mm)*



QN90D Cover and Rear-View Dimensions

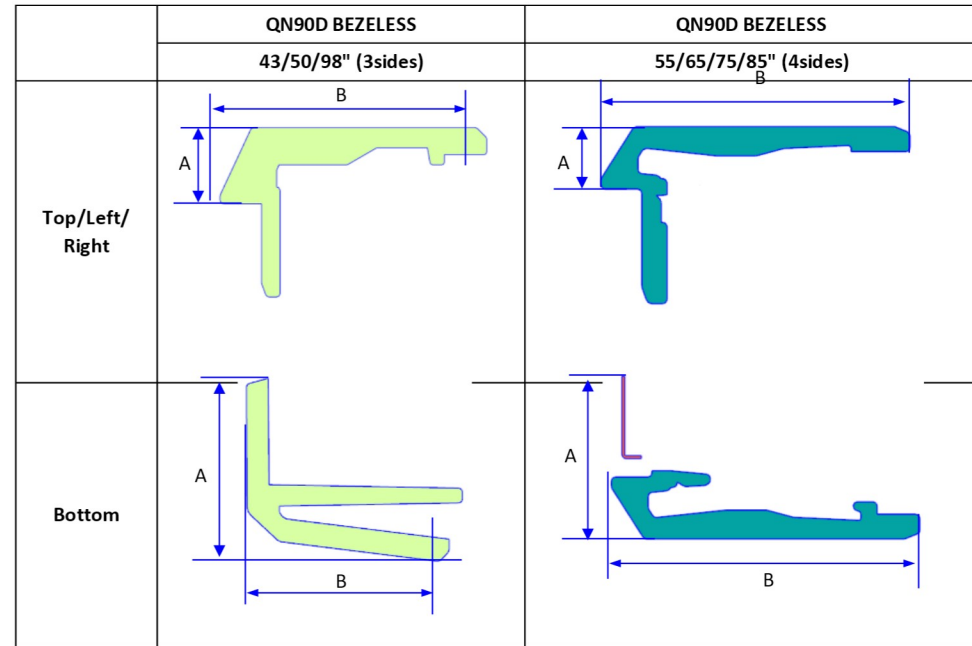
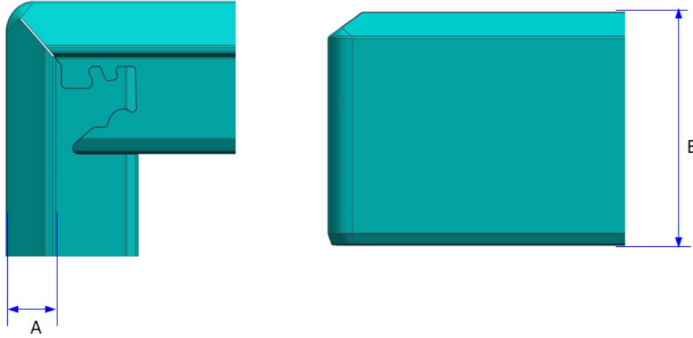
* E , Y : Measured including LOGO
F : Measured including USB Connector

	43"	50"	55"	65"	75"	85"	98"
WALL MOUNT(A*B)	200 x 200	200 x 200	200 x 200	400 x 300	400 x 400	600 x 400	600 x 400
C	380.4	456.8	513.7	523.4	635.0	646.1	791.1
D	190.0	208.4	239.3	214.5	244.4	220.0	343.9
E	169.5	235.7	266.3	314.4	313.0	461.9	504.0
F	208.5	230.4	215.3	264.7	376.6	376.2	544.7
X	960.8	1113.6	1227.4	1446.3	1670.0	1892.2	2182.3
Y	559.5	644.1	705.6	826.9	957.4	1081.9	1244.2
Screw Depth	11-13	11-13	11-13	11-13	11-13	11-13	11-13

SAMSUNG IS NOT RESPONSIBLE FOR INACCURACIES. FOR CRITICAL INSTALLATIONS, IT IS STRONGLY RECOMMENDED TO CONFIRM ALL MEASURES BY USING AN ACTUAL SAMPLE MODEL INTENDED FOR A SPECIFIC INSTALLATION.

QN90D

**Dimensions in millimeters (+ / - 0.1 mm)*



QN90D Bezel Dimensions

	QN90D													
	43"		50"		55"		65"		75"		85"		98"	
	T/L/R	Bottom	T/L/R	Bottom	T/L/R	Bottom	T/L/R	Bottom	T/L/R	Bottom	T/L/R	Bottom	T/L/R	Bottom
A	3.2	16.5	3.0	15.7	3.0	8.2	3.0	8.2	3.0	10.0	3.0	9.7	5.5	17.6
B	13.43	15.4	13.43	14.9	12.43	12.43	12.43	12.43	12.93	12.93	12.93	12.93	16.10	18.15

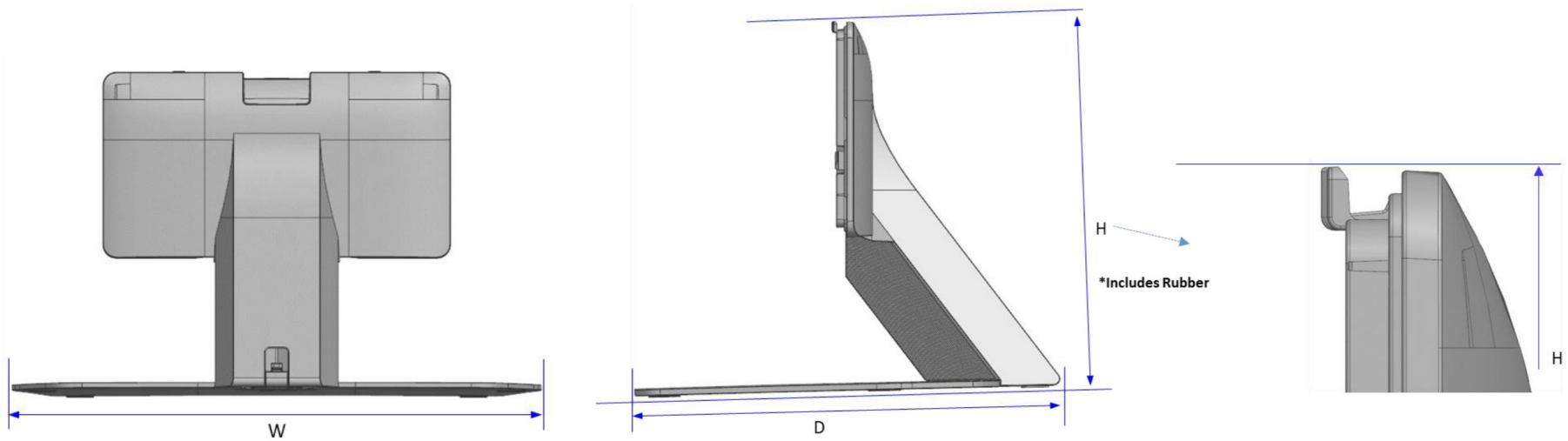
SAMSUNG IS NOT RESPONSIBLE FOR INACCURACIES. FOR CRITICAL INSTALLATIONS, IT IS STRONGLY RECOMMENDED TO CONFIRM ALL MEASURES BY USING AN ACTUAL SAMPLE MODEL INTENDED FOR A SPECIFIC INSTALLATION.

QN90D

**Dimensions in millimeters (+ / - 0.1 mm)*

QN90D Sharp Neck Hexagon

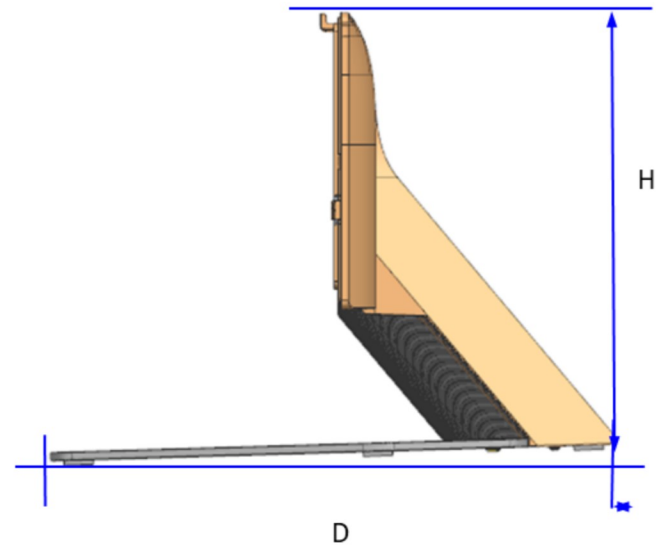
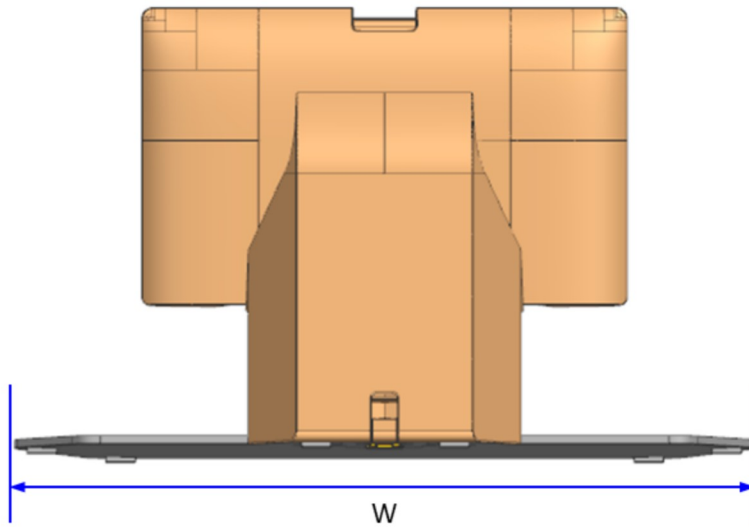
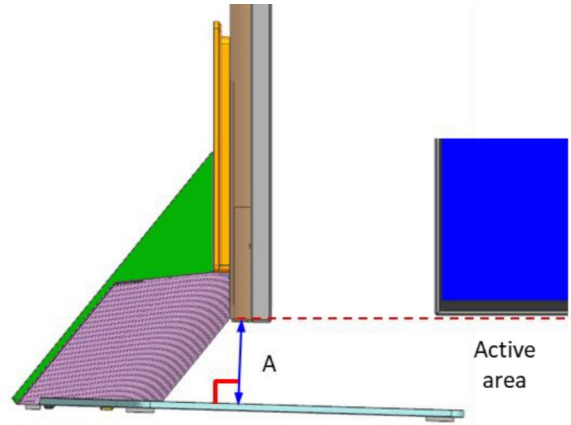
	QN90D			
	43"/50"/55"	65"	75"	85"
W*H*D	43"/50": 519 * 217.9 * 219.9 55": 388.3 * 216.9 * 237	390 * 236.1 * 270.6	416.9 * 264.7 * 301.2	417.6 * 266 * 321.3



SAMSUNG IS NOT RESPONSIBLE FOR INACCURACIES. FOR CRITICAL INSTALLATIONS, IT IS STRONGLY RECOMMENDED TO CONFIRM ALL MEASUREMENTS USING THE SPECIFIC TV TO BE INSTALLED.

98" QN90D Stand Dimensions

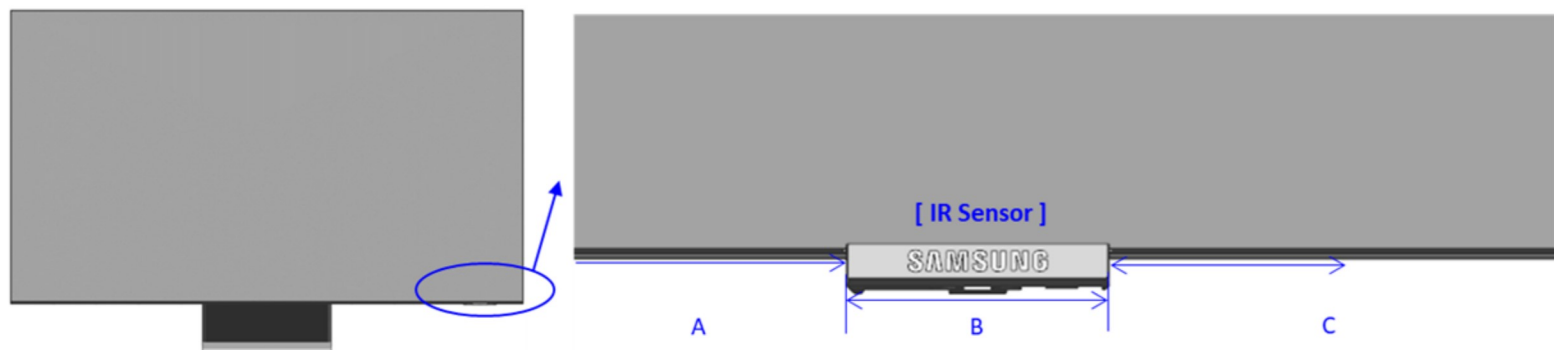
	98"
CENTER STAND (W*H*D)	478.9 * 284.5 * 364.9
SOUND BAR space (A)	70



*Rubber

SAMSUNG IS NOT RESPONSIBLE FOR INACCURACIES. FOR CRITICAL INSTALLATIONS, IT IS STRONGLY RECOMMENDED TO CONFIRM ALL MEASUREMENTS USING THE SPECIFIC TV TO BE INSTALLED.

2024 New Model IR Sensor Information



Product	Series	Inch	Item	Sensor Position	DIMENSION		
					A	B	C
	QN90D	98	QN98QN90DAFXZA	Right	2002.7	27.6	154.7
		85	QN85QN90DAFXZA	Right	1684.3	27.6	180.3
		75	QN75QN90DAFXZA	Right	1488.7	27.6	153.7
		65	QN65QN90DAFXZA	Right	1310.0	27.6	108.7
		55	QN55QN90DAFXZA	Right	1115.7	27.6	84.0
		50	QN50QN90DAFXZA	Right	1009.1	27.6	76.9
		43	QN43QN90DAFXZA	Right	865.7	27.6	67.5

SAMSUNG IS NOT RESPONSIBLE FOR INACCURACIES. FOR CRITICAL INSTALLATIONS, IT IS STRONGLY RECOMMENDED TO CONFIRM ALL MEASUREMENTS USING THE SPECIFIC TV TO BE INSTALLED.