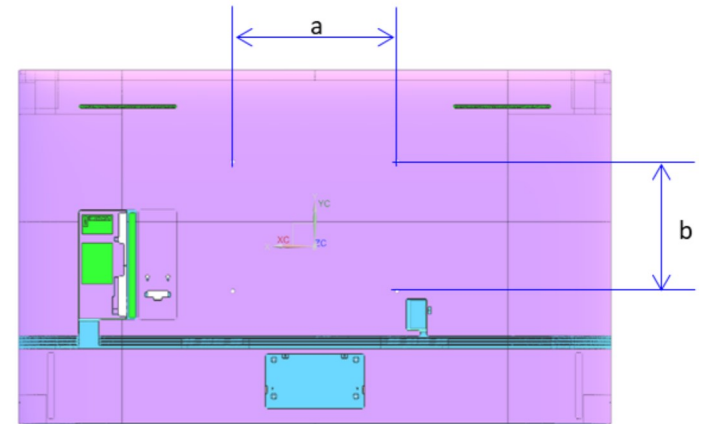
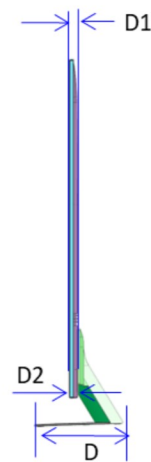
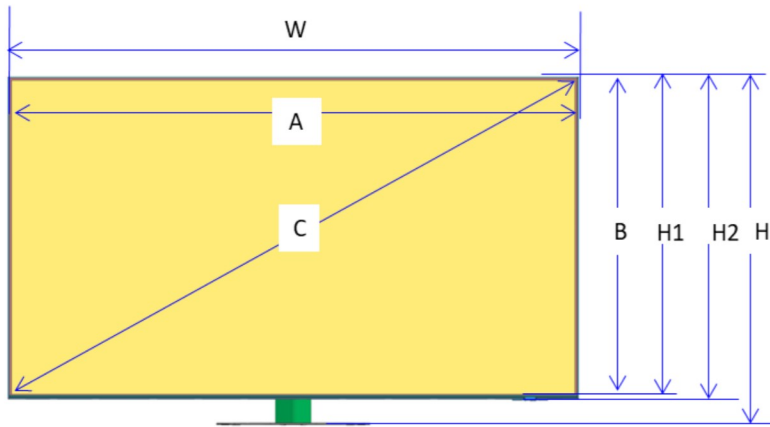


QN90F Set Dimension

	43"	50"	55"	65"	75"	85"	98"
SET(With stand) (W * H * D)	960.8 * 619.9 * 220.0	1113.6 * 705.4 * 220.0	1227.4 * 768.2 * 237.0	1446.3 * 891.3 * 270.6	1670.0 * 1017.2 * 301.2	1892.2 * 1143.0 * 321.3	2185.1 * 1305.9 * 364.9
SET(Without stand) (W * H2 * D1)	960.8 * 558.9 * 26.9	1113.6 * 644.1 * 26.9	1227.4 * 705.6 * 26.9	1446.3 * 828.7 * 26.9	1670.0 * 957.4 * 27.7	1892.2 * 1081.9 * 27.9	2185.1 * 1249.3 * 31.1
Front Opening Area (A * B * C)	954.4 * 537.4 * 1095.3	1107.6 * 623.6 * 1271.1	1221.4 * 690.0 * 1402.8	1440.3 * 813.1 * 1654.0	1664.0 * 940.1 * 1911.2	1886.2 * 1065.1 * 2166.1	2174.1 * 1223.4 * 2494.7
Wall Mount (a * b)	200 * 200	200 * 200	200 * 200	400 * 300	400 * 400	600 * 400	600 * 400
Packing Out (W * H * D)	1164 * 667 * 140	1317 * 767 * 140	1448 * 826 * 170	1622 * 935 * 185	1884 * 1118 * 191	2141 * 1245 * 230	2370 * 1420 * 275
Net Weight (With stand) Kg	13.4	17.6	20.6	27.5	39.7	49.9	70.6
Net Weight (Without stand) Kg	9.4	13.5	17.68	24.2	34.1	43.5	61.4
Gross Weight (Packing) Kg	16.9	22.5	26.2	34.6	50.2	63.3	92.7

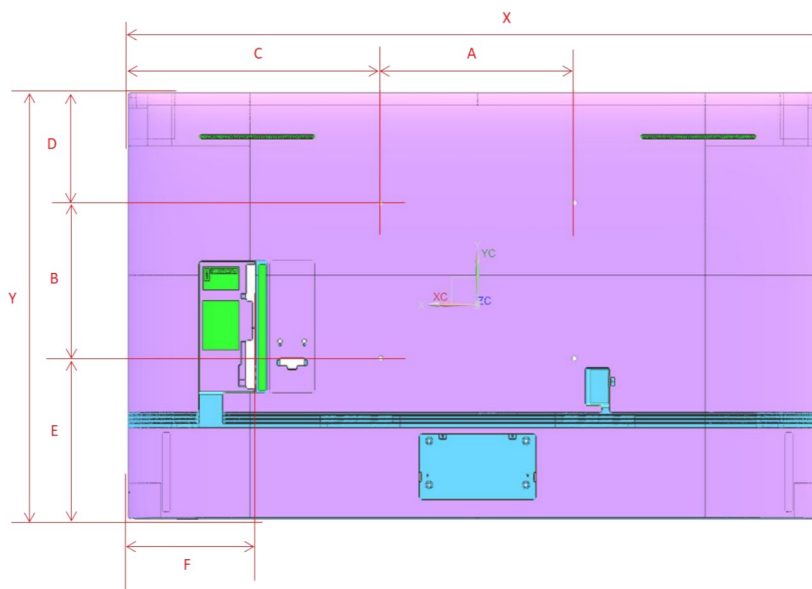


SAMSUNG IS NOT RESPONSIBLE FOR INACCURACIES. FOR CRITICAL INSTALLATIONS, IT IS STRONGLY RECOMMENDED TO CONFIRM ALL MEASURES BY USING AN ACTUAL SAMPLE MODEL INTENDED FOR A SPECIFIC INSTALLATION.

**Dimensions in millimeters (+ / - 0.1 mm)*

QN90F Cover and Rear-View Dimensions

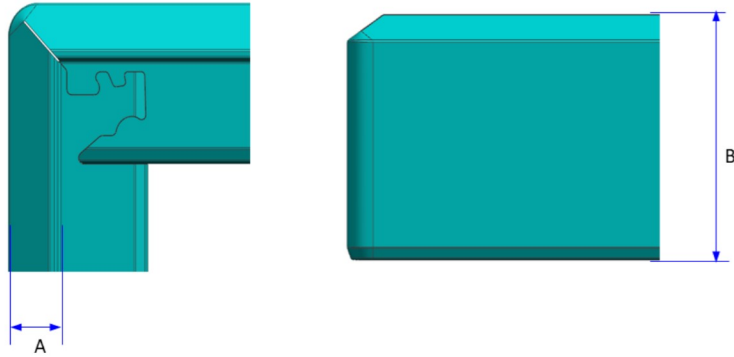
	43"	50"	55"	65"	75"	85"	98"
WALL MOUNT(A*B)	200 x 200	200 x 200	200 x 200	400 x 300	400 x 400	600 x 400	600 x 400
C	380.4	456.8	513.7	523.4	635.0	646.1	791.1
D	190.0	208.4	239.3	214.5	244.4	220.0	343.9
E	169.5	235.7	266.3	314.4	313.0	461.9	504.0
F	208.5	230.4	215.3	264.7	376.6	376.2	544.7
X	960.8	1113.6	1227.4	1446.3	1670.0	1892.2	2182.3
Y	559.5	644.1	705.6	826.9	957.4	1081.9	1244.2
Screw Depth	11-13	11-13	11-13	11-13	11-13	11-13	11-13

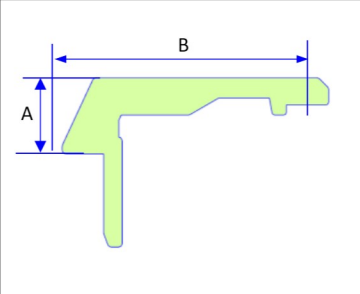
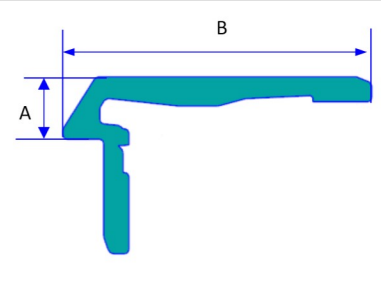
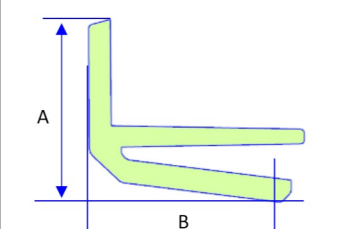
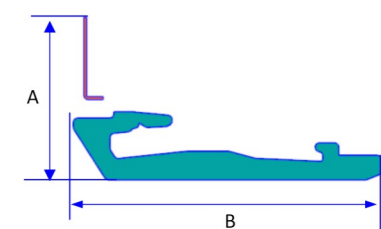


SAMSUNG IS NOT RESPONSIBLE FOR INACCURACIES. FOR CRITICAL INSTALLATIONS, IT IS STRONGLY RECOMMENDED TO CONFIRM ALL MEASURES BY USING AN ACTUAL SAMPLE MODEL INTENDED FOR A SPECIFIC INSTALLATION.

QN90F

**Dimensions in millimeters (+ / - 0.1 mm)*



	QN90F BEZELESS		QN90F BEZELESS	
	43/50/98" (3 Bezel-less)		55/65/75/85" (4 Bezel-Less)	
To/Left/Right				
Bottom				

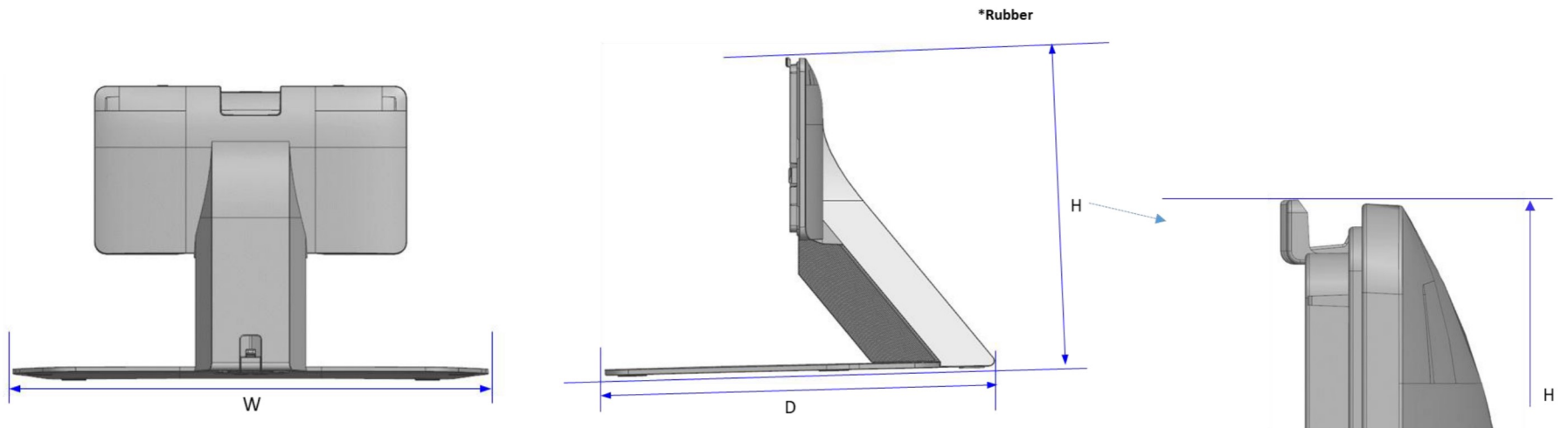
QN90F Bezel Dimensions

	QN90F													
	43"		50"		55"		65"		75"		85"		98"	
	T/L/R	Bottom	T/L/R	Bottom	T/L/R	Bottom	T/L/R	Bottom	T/L/R	Bottom	T/L/R	Bottom	T/L/R	Bottom
A	3.2	16.5	3.0	15.7	3.0	8.2	3.0	8.2	3.0	10.0	3.0	9.7	5.5	17.6
B	13.43	15.4	13.43	14.9	12.43	12.43	12.43	12.43	12.93	12.93	12.93	12.93	16.10	18.15

SAMSUNG IS NOT RESPONSIBLE FOR INACCURACIES. FOR CRITICAL INSTALLATIONS, IT IS STRONGLY RECOMMENDED TO CONFIRM ALL MEASURES BY USING AN ACTUAL SAMPLE MODEL INTENDED FOR A SPECIFIC INSTALLATION.

QN90F Stand Dimensions 43" – 85"

W*H*D	QN90D			
	43"/50"/55"	65"	75"	85"
	43"/50": 519 * 217.9 * 219.9 55": 388.3 * 216.9 * 237	390 * 236.1 * 270.6	416.9 * 264.7 * 301.2	417.6 * 266 * 321.3

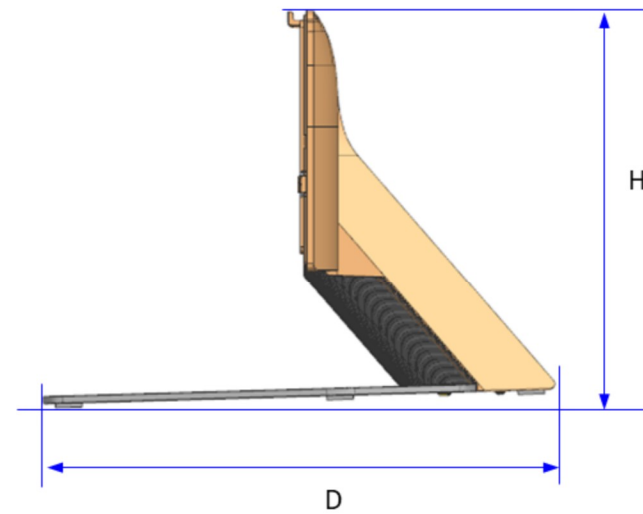
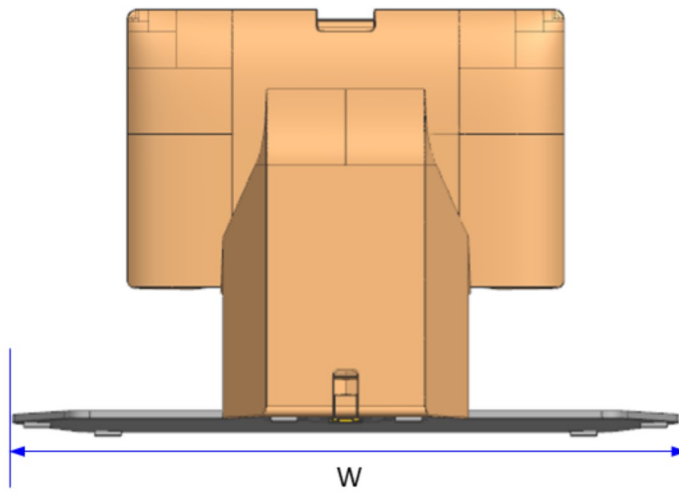
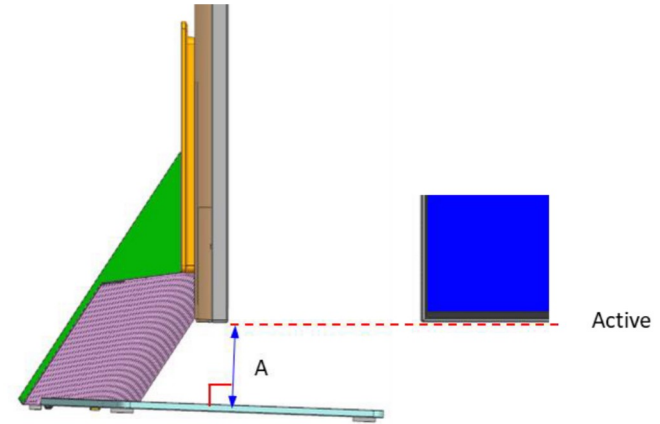


SAMSUNG IS NOT RESPONSIBLE FOR INACCURACIES. FOR CRITICAL INSTALLATIONS, IT IS STRONGLY RECOMMENDED TO CONFIRM ALL MEASUREMENTS USING THE SPECIFIC TV TO BE INSTALLED.

**Dimensions in millimeters (+ / - 0.1 mm)*

QN90F Stand Dimensions 98"

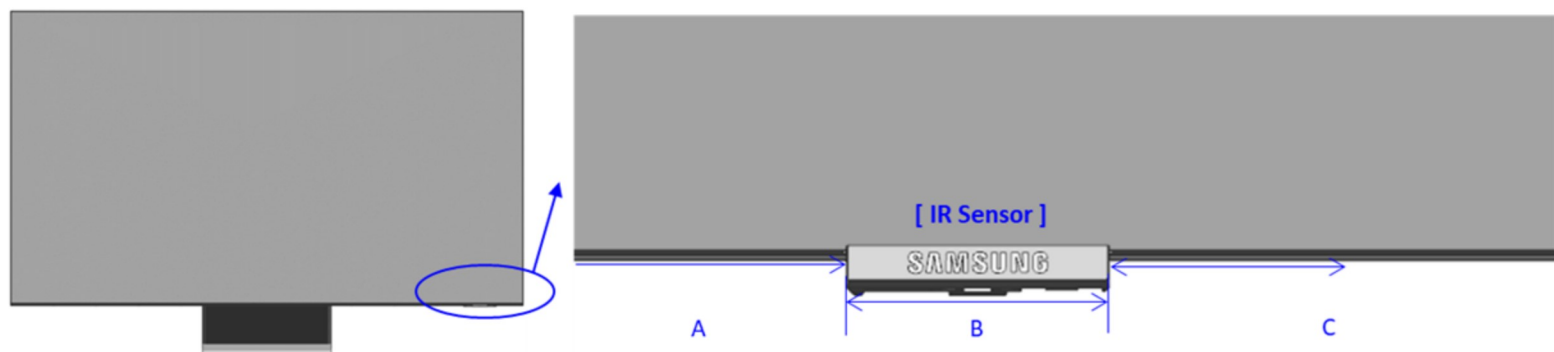
	QN90D 98"
CENTER STAND (W*H*D)	478.9 * 284.5 * 364.9
SOUND BAR (A)	70



SAMSUNG IS NOT RESPONSIBLE FOR INACCURACIES. FOR CRITICAL INSTALLATIONS, IT IS STRONGLY RECOMMENDED TO CONFIRM ALL MEASUREMENTS USING THE SPECIFIC TV TO BE INSTALLED.

**Dimensions in millimeters (+ / - 0.1 mm)*

2025 New Model IR Sensor Information



Product	Series	Inch	Item	Sensor Position	DIMENSION		
					A	B	C
Neo QLED 4K	QN90F	115	QN115QN90FFXZA	Right	2379	27.6	158.6
		98	QN98QN90FAFXZA	Right	1994.6	43.9	146.6
		85	QN85QN90FAFXZA	Right	1684.3	27.6	180.3
		75	QN75QN90FAFXZA	Right	1488.7	27.6	153.7
		65	QN65QN90FAFXZA	Right	1310.0	27.6	108.7
		55	QN55QN90FAFXZA	Right	1115.7	27.6	84.0
		50	QN50QN90FAFXZA	Right	1009.1	27.6	76.9
		43	QN43QN90FAFXZA	Right	865.7	27.6	67.5

SAMSUNG IS NOT RESPONSIBLE FOR INACCURACIES. FOR CRITICAL INSTALLATIONS, IT IS STRONGLY RECOMMENDED TO CONFIRM ALL MEASUREMENTS USING THE SPECIFIC TV TO BE INSTALLED.