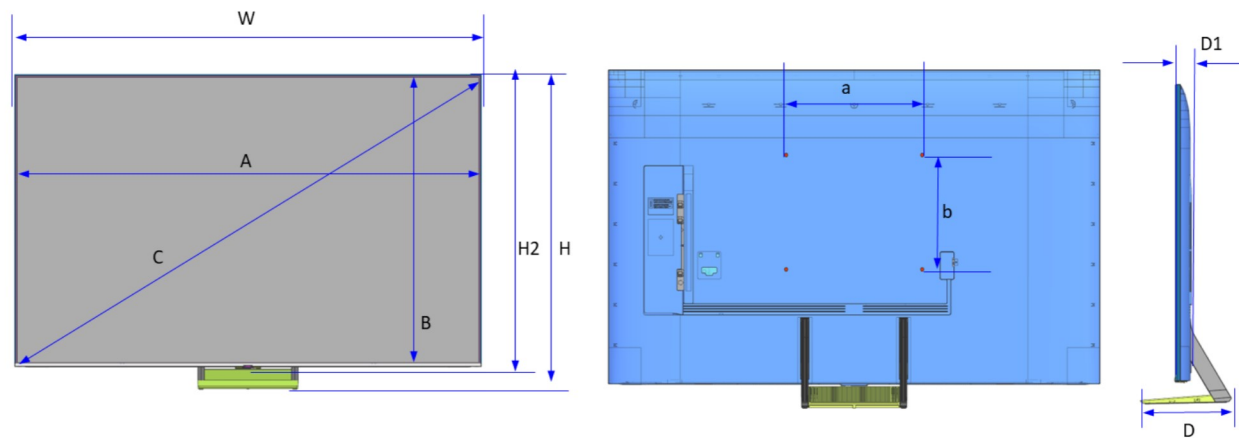


QN80F Set Dimension

	QN80F 55"	QN80F 65"	QN80F 75"	QN80F 85"	QN80F 100"
SET(With stand) (W * H * D)	1227.6 * 764.0 * 247.4	1446.5 * 886.3 * 279.4	1670.6 * 1015.6 * 331.5	1892.8 * 1137.7 * 366.5	2229.8 * 1332.4 * 415.4
SET(Without stand) (W * H2 * D1)	1227.6 * 706.2 * 47.2	1446.5 * 829.3 * 46.6	1670.6 * 958.3 * 47.1	1892.8 * 1082.8 * 48.2	2229.8 * 1273.4 * 57.4
* Front Opening Area (A * B * C)	1221.6 * 687.6 * 1401.4	1440.3 * 810.7 * 1652.6	1664.0 * 936.5 * 1909.2	1886.2 * 1061.4 * 2164.1	2223.4 * 1251.1 * 2551.2
Wall Mount (a * b)	200 * 200	400 * 300	400 * 400	600 * 400	600 * 400
Packing Out (W * H * D)	1352 * 813 * 148	1593 * 930 * 158	1822 * 1075 * 176	2056 * 1200 * 178	2399 * 1444 * 230
Net Weight (With stand) Kg	17.2	23.7	33.5	42.2	60.3
Stand Weight Kg	0.8	1.0	1.3	1.6	1.4
Net Weight (Without stand) Kg	16.4	22.7	32.2	40.6	58.9
Gross Weight (Packing) Kg	22.5	30.8	45.7	54.1	81.7



For 55~85"

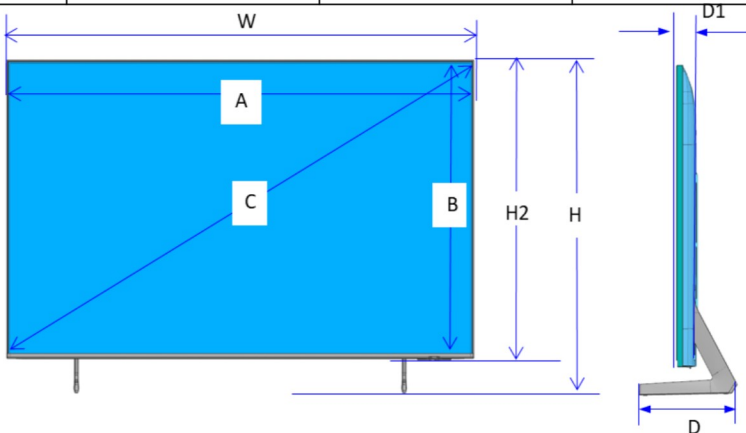
SAMSUNG IS NOT RESPONSIBLE FOR INACCURACIES. FOR CRITICAL INSTALLATIONS, IT IS STRONGLY RECOMMENDED TO CONFIRM ALL MEASURES BY USING AN ACTUAL SAMPLE MODEL INTENDED FOR A SPECIFIC INSTALLATION.

QN80F

**Dimensions in millimeters (+ / - 0.1 mm)*

QN80F Set Dimension

	QN80F 55"	QN80F 65"	QN80F 75"	QN80F 85"	QN80F 100"
SET(With stand) (W * H * D)	1227.6 * 764.0 * 247.4	1446.5 * 886.3 * 279.4	1670.6 * 1015.6 * 331.5	1892.8 * 1137.7 * 366.5	2229.8 * 1332.4 * 415.4
SET(Without stand) (W * H2 * D1)	1227.6 * 706.2 * 47.2	1446.5 * 829.3 * 46.6	1670.6 * 958.3 * 47.1	1892.8 * 1082.8 * 48.2	2229.8 * 1273.4 * 57.4
* Front Opening Area (A * B * C)	1221.6 * 687.6 * 1401.4	1440.3 * 810.7 * 1652.6	1664.0 * 936.5 * 1909.2	1886.2 * 1061.4 * 2164.1	2223.4 * 1251.1 * 2551.2
Wall Mount (a * b)	200 * 200	400 * 300	400 * 400	600 * 400	600 * 400
Packing Out (W * H * D)	1352 * 813 * 148	1593 * 930 * 158	1822 * 1075 * 176	2056 * 1200 * 178	2399 * 1444 * 230
Net Weight (With stand) Kg	17.2	23.7	33.5	42.2	60.3
Stand Weight Kg	0.8	1.0	1.3	1.6	1.4
Net Weight (Without stand) Kg	16.4	22.7	32.2	40.6	58.9
Gross Weight (Packing) Kg	22.5	30.8	45.7	54.1	81.7



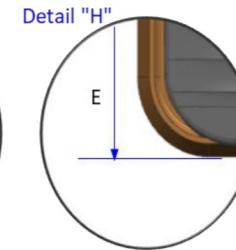
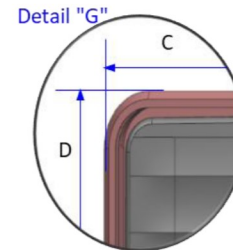
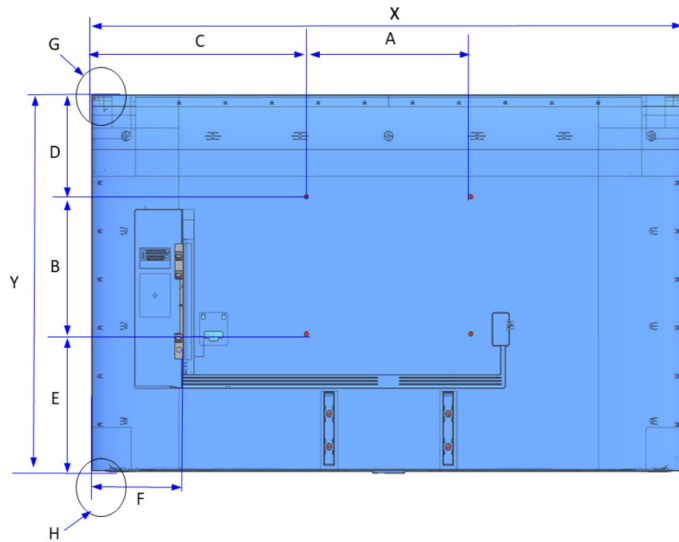
For 100"

SAMSUNG IS NOT RESPONSIBLE FOR INACCURACIES. FOR CRITICAL INSTALLATIONS, IT IS STRONGLY RECOMMENDED TO CONFIRM ALL MEASURES BY USING AN ACTUAL SAMPLE MODEL INTENDED FOR A SPECIFIC INSTALLATION.

**Dimensions in millimeters (+ / - 0.1 mm)*

QN80F Cover and Rear-View Dimensions

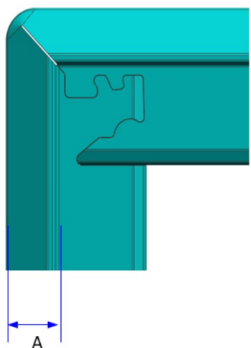
	QN80F				
	55"	65"	75"	85"	100"
WALL MOUNT(AXB)	200 * 200	400 * 300	400 * 400	600 * 400	600 * 400
C	513.8	523.3	635.3	646.4	814.9
D	207.2	223.7	211.4	210.9	328.3
E	294.1	300.6	341.9	466.9	545.1
F	229.9	224.4	339.4	542.5	542.2
X	1227.6	1446.5	1670.6	1892.8	2229.8
Y	706.2	829.3	958.3	1082.8	1273.4
Screw Depth	17-19	17-19	17-19	16-18	16-18



SAMSUNG IS NOT RESPONSIBLE FOR INACCURACIES. FOR CRITICAL INSTALLATIONS, IT IS STRONGLY RECOMMENDED TO CONFIRM ALL MEASURES BY USING AN ACTUAL SAMPLE MODEL INTENDED FOR A SPECIFIC INSTALLATION.

QN80F

**Dimensions in millimeters (+ / - 0.1 mm)*



	QN80F BEZELESS (3 Bezel-less)	
	50"	55/65/75/85/100
To/Left/Right		
Bottom		

QN80F Bezel Dimensions

	QN80F									
	55"		65"		75"		85"		100"	
	T/L/R	Bottom	T/L/R	Bottom	T/L/R	Bottom	T/L/R	Bottom	T/L/R	Bottom
A	3.1	12.1	3.1	11.7	3.3	14.6	3.3	14.3	3.2	16.6
B	17.0	27.4	17.0	27.4	17.1	27.5	17.8	28.2	19.9	25.3

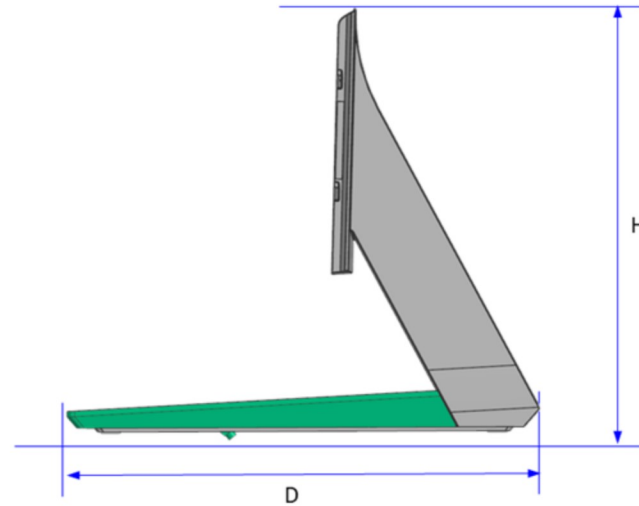
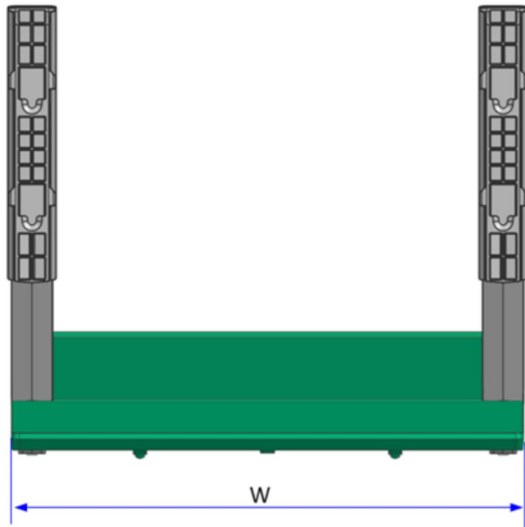
SAMSUNG IS NOT RESPONSIBLE FOR INACCURACIES. FOR CRITICAL INSTALLATIONS, IT IS STRONGLY RECOMMENDED TO CONFIRM ALL MEASURES BY USING AN ACTUAL SAMPLE MODEL INTENDED FOR A SPECIFIC INSTALLATION.

QN80F

**Dimensions in millimeters (+ / - 0.1 mm)*

QN80F Stand Dimensions 55 – 85"

CENTER STAND (W*H*D)	QN80F			
	55"	65"	75"	85"
	263.9 * 219.2 * 247.4	314.3 * 237.2 * 279.4	354.8 * 251.9 * 331.5	375.4 * 267.3 * 366.5



SAMSUNG IS NOT RESPONSIBLE FOR INACCURACIES. FOR CRITICAL INSTALLATIONS, IT IS STRONGLY RECOMMENDED TO CONFIRM ALL MEASUREMENTS USING THE SPECIFIC TV TO BE INSTALLED.

QN80F

**Dimensions in millimeters (+ / - 0.1 mm)*

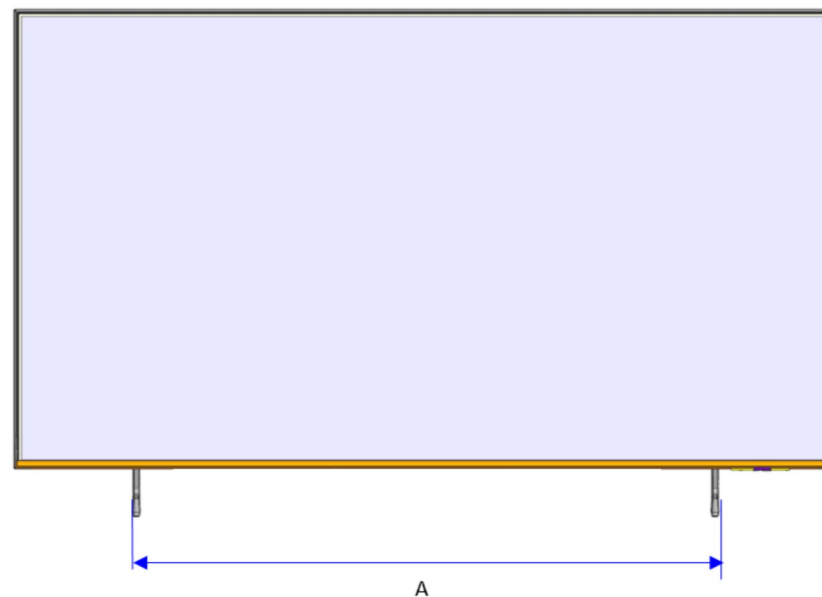
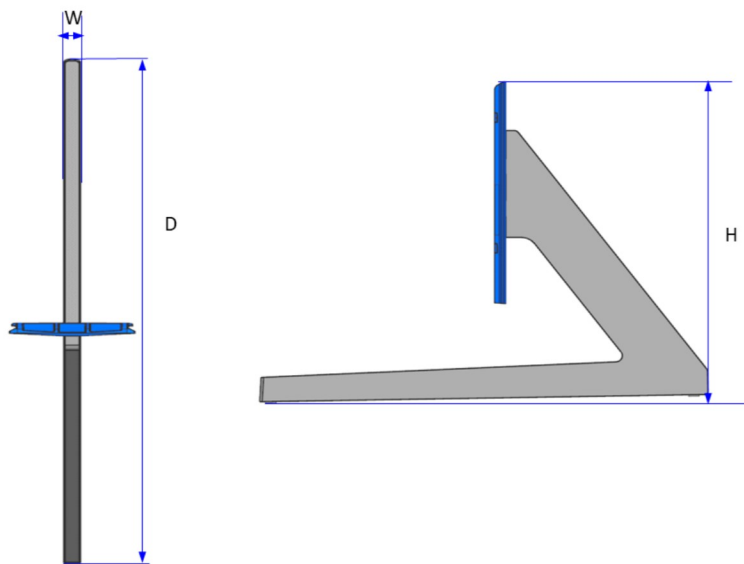
QN80F Stand Dimensions 100"

	QN80F 100"
Simple Stand(W*H*D)	8.0 * 316.4 * 415.4

Distance between the two ends of the Stand 100"

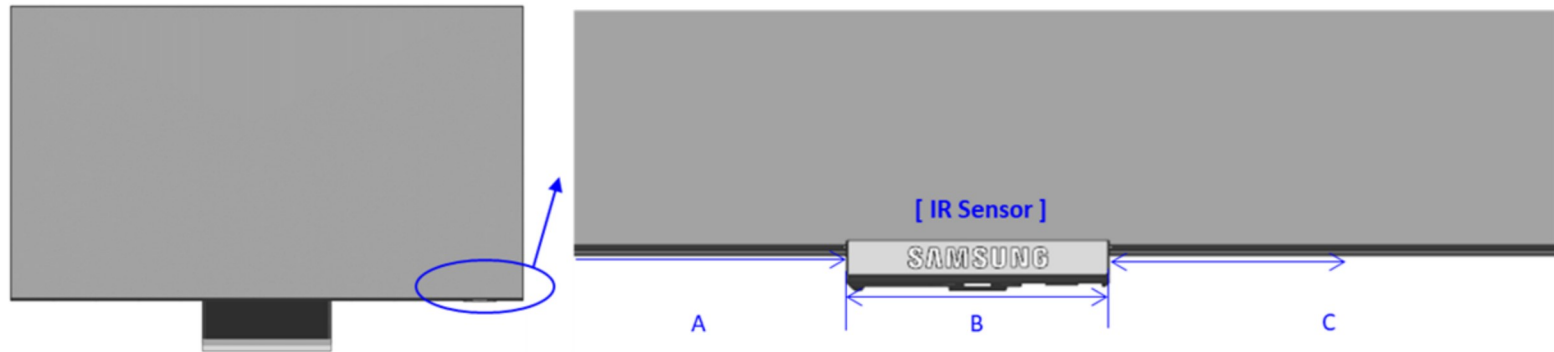
	QN80F 100"
A	1722.9

100"



SAMSUNG IS NOT RESPONSIBLE FOR INACCURACIES. FOR CRITICAL INSTALLATIONS, IT IS STRONGLY RECOMMENDED TO CONFIRM ALL MEASUREMENTS USING THE SPECIFIC TV TO BE INSTALLED.

2025 New Model IR Sensor Information



Product	Series	Inch	Item	Sensor Position	DIMENSION		
					A	B	C
	QN80F	100	QN100QN80FFXZA	Right	2065.0	27.6	137.2
		85	QN85QN80FAFXZA	Center	932.2	28.2	932.2
		75	QN75QN80FAFXZA	Center	821.3	28.2	821.3
		65	QN65QN80FAFXZA	Center	709.1	28.2	709.1
		55	QN55QN80FAFXZA	Center	599.7	28.2	599.7

SAMSUNG IS NOT RESPONSIBLE FOR INACCURACIES. FOR CRITICAL INSTALLATIONS, IT IS STRONGLY RECOMMENDED TO CONFIRM ALL MEASUREMENTS USING THE SPECIFIC TV TO BE INSTALLED.