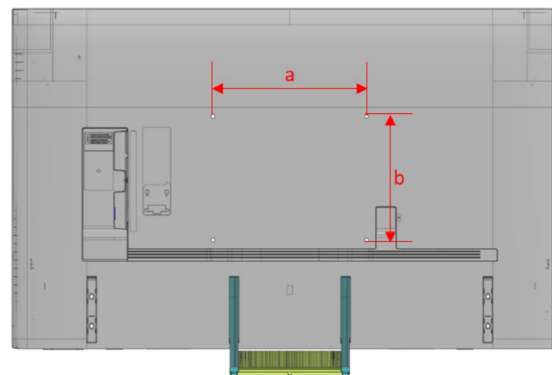
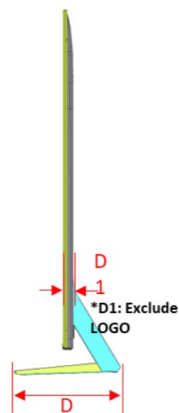
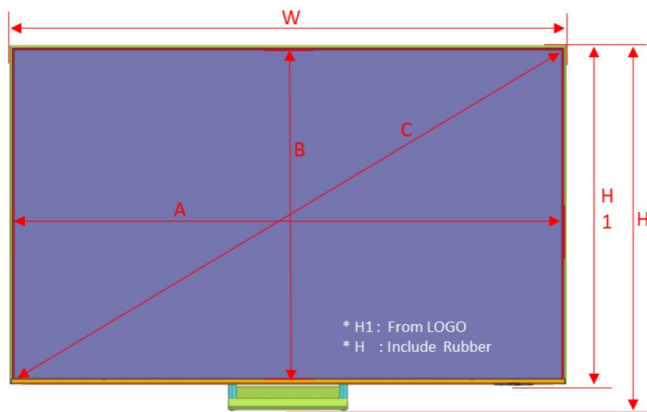


# QN70F

*\*Dimensions in millimeters (+ / - 0.1 mm)*

## QN70F Set Dimension

	55"	65"	75"	85"
SET(With stand) (W * H * D)	1232.9*765.7*247.4	1451.7 * 890.4 * 279.4	1677.5*1016.2*331.5	1901.7*1144.2*366.5
SET(Without stand) (W * H1 * D1)	1232.9*709.2*25.7	1451.7 * 832.2 * 25.7	1677.5*960.7*26.6	1901.7*1086.5*26.9
Front Opening Area (A * B * C)	1218.2*686.7*1398.4	1438.5*810.5*1651.1	1662.2*936.8*1907.1	1884.0*1061.5*2162.4
Wall Mount (a * b)	200 * 200	400 * 300	400 * 400	600 * 400
Packing Out (W * H * D)	1369 * 819 * 142	1597 * 933 * 148	1815 * 1080 * 164	2059 * 1200 * 171
Net Weight (With stand) Kg	15.0	21.8	30.9	42.3
Net Weight (Without stand) Kg	14.2	20.8	29.6	40.7
Gross Weight (Packing) Kg	19.7	29.1	40.3	53.9

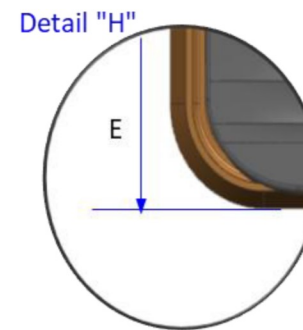
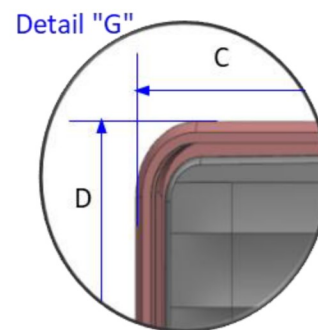
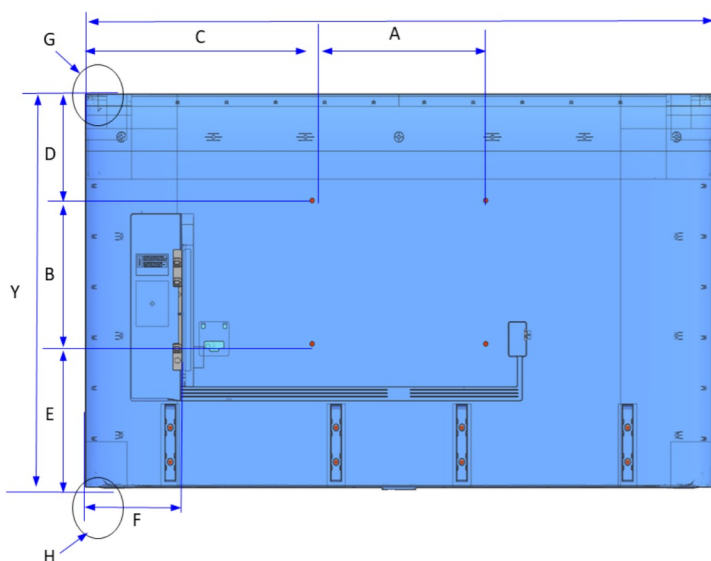


*SAMSUNG IS NOT RESPONSIBLE FOR INACCURACIES. FOR CRITICAL INSTALLATIONS, IT IS STRONGLY RECOMMENDED TO CONFIRM ALL MEASURES BY USING AN ACTUAL SAMPLE MODEL INTENDED FOR A SPECIFIC INSTALLATION.*

*\*Dimensions in millimeters (+ / - 0.1 mm)*

## QN70F Cover and Rear-View Dimensions

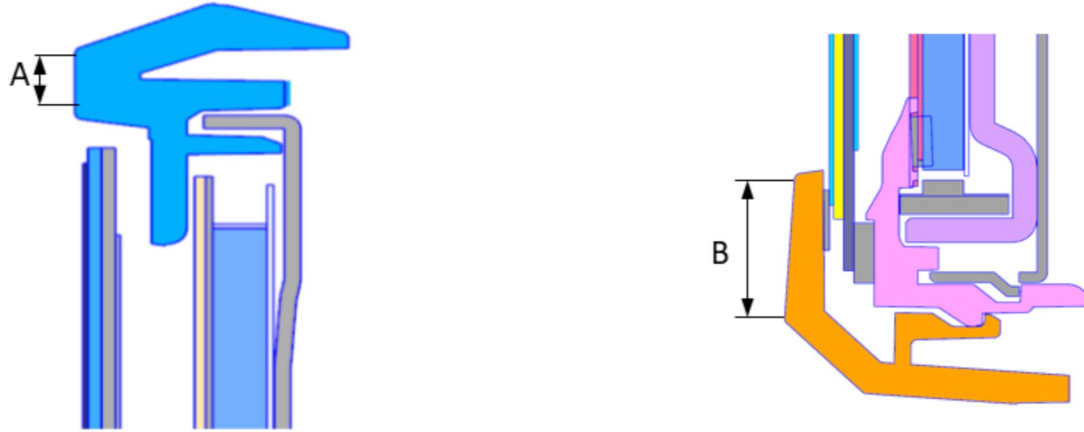
	QN70F			
	55"	65"	75"	85"
<b>WALL MOUNT(AXB)</b>	200 * 200	400 * 300	400 * 400	600 * 400
<b>C</b>	516.4	525.9	638.7	650.8
<b>D</b>	266.2	264.5	260.0	356.3
<b>E</b>	239.8	264.7	297.7	327.2
<b>F</b>	218.1	302.9	415.7	427.5
<b>X</b>	1232.9	1451.8	1677.5	1901.7
<b>Y</b>	706.0	829.1	957.6	1083.5
<b>Screw Depth</b>	11-13	11-13	11-13	11-13



*SAMSUNG IS NOT RESPONSIBLE FOR INACCURACIES. FOR CRITICAL INSTALLATIONS, IT IS STRONGLY RECOMMENDED TO CONFIRM ALL MEASURES BY USING AN ACTUAL SAMPLE MODEL INTENDED FOR A SPECIFIC INSTALLATION.*

# QN70F

*\*Dimensions in millimeters (+ / - 0.1 mm)*



**QN70F Bezel Dimensions**

	55"	65"	75"	85"
Top/Left/Right (A)	2.7	2.7	3.7	4.7
Bottom (B)	8.7	8.6	9.7	9.2

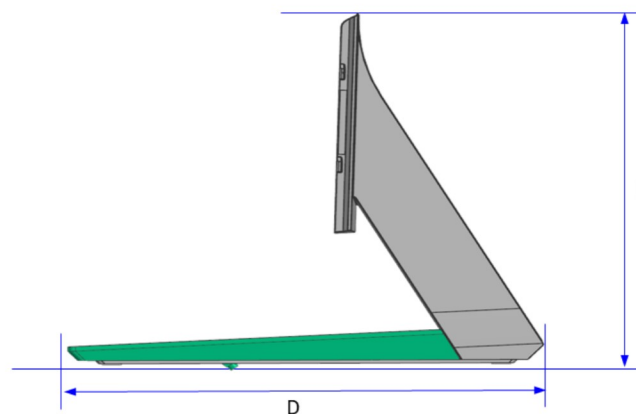
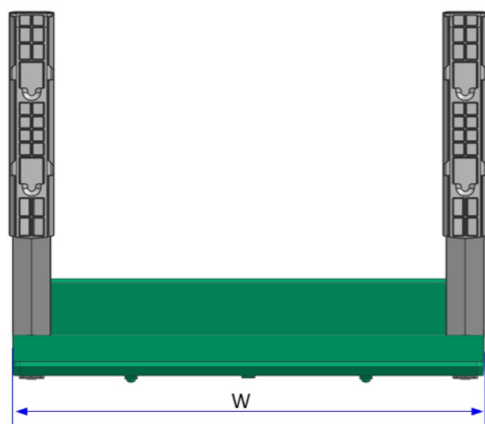
*SAMSUNG IS NOT RESPONSIBLE FOR INACCURACIES. FOR CRITICAL INSTALLATIONS, IT IS STRONGLY RECOMMENDED TO CONFIRM ALL MEASURES BY USING AN ACTUAL SAMPLE MODEL INTENDED FOR A SPECIFIC INSTALLATION.*

# QN70F

*\*Dimensions in millimeters (+ / - 0.1 mm)*

## QN70F Stand Dimensions

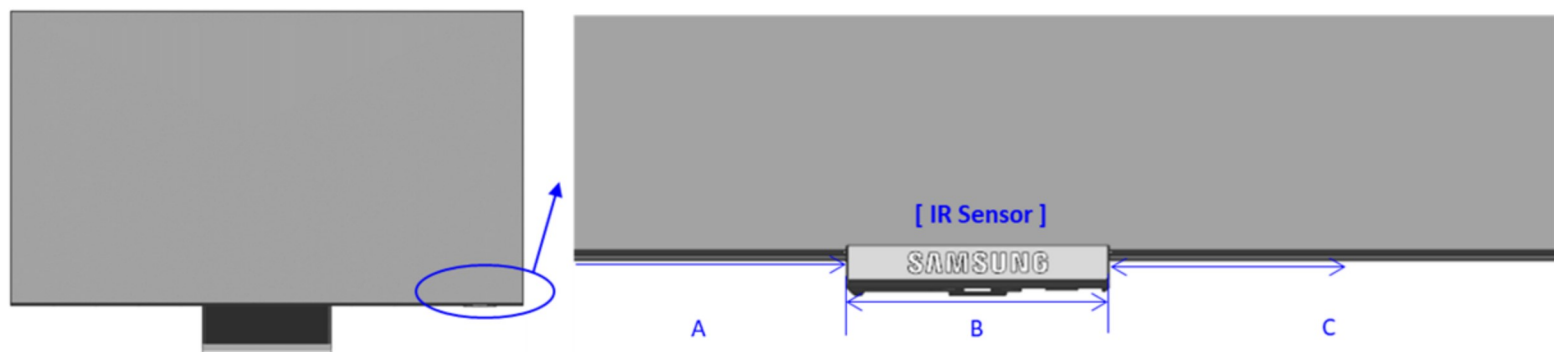
CENTER STAND (W*H*D)	QN70F			
	55"	65"	75"	85"
	263.9 * 219.2 * 247.4	314.3 * 237.2 * 279.4	354.8 * 251.9 * 331.5	375.4 * 267.3 * 366.5



*SAMSUNG IS NOT RESPONSIBLE FOR INACCURACIES. FOR CRITICAL INSTALLATIONS,  
IT IS STRONGLY RECOMMENDED TO CONFIRM ALL MEASUREMENTS USING THE SPECIFIC TV TO BE INSTALLED.*

*\*Dimensions in millimeters (+ / - 0.1 mm)*

## 2025 New Model IR Sensor Information



Product	Series	Inch	Item	Sensor Position	DIMENSION		
					A	B	C
	QN70F	85	QN85QN70FAFXZA	Right	1721.1	27.9	152.7
		75	QN75QN70FAFXZA	Right	1508.8	27.9	140.8
		65	QN65QN70FAFXZA	Right	1301.4	27.9	122.4
		55	QN55QN70FAFXZA	Right	1109.1	27.9	95.8

*SAMSUNG IS NOT RESPONSIBLE FOR INACCURACIES. FOR CRITICAL INSTALLATIONS, IT IS STRONGLY RECOMMENDED TO CONFIRM ALL MEASUREMENTS USING THE SPECIFIC TV TO BE INSTALLED.*