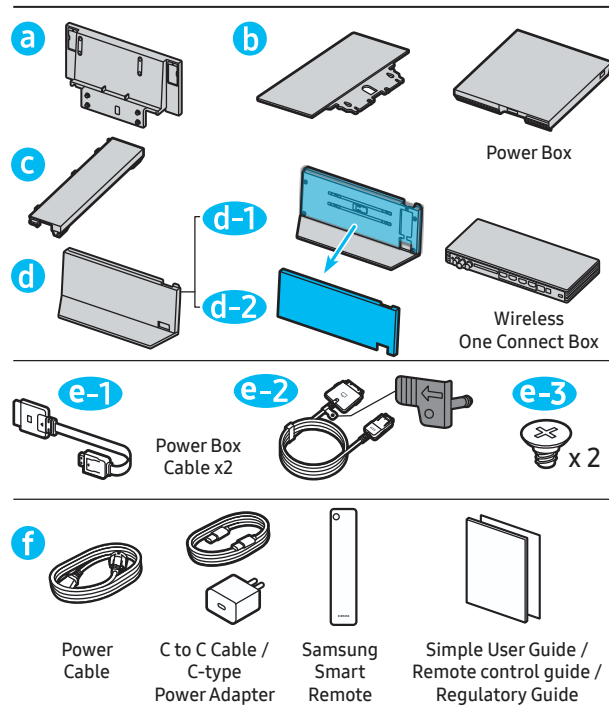
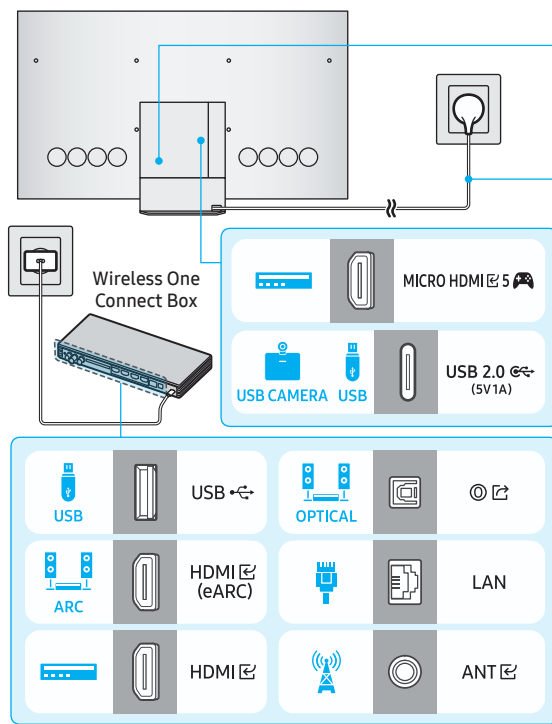
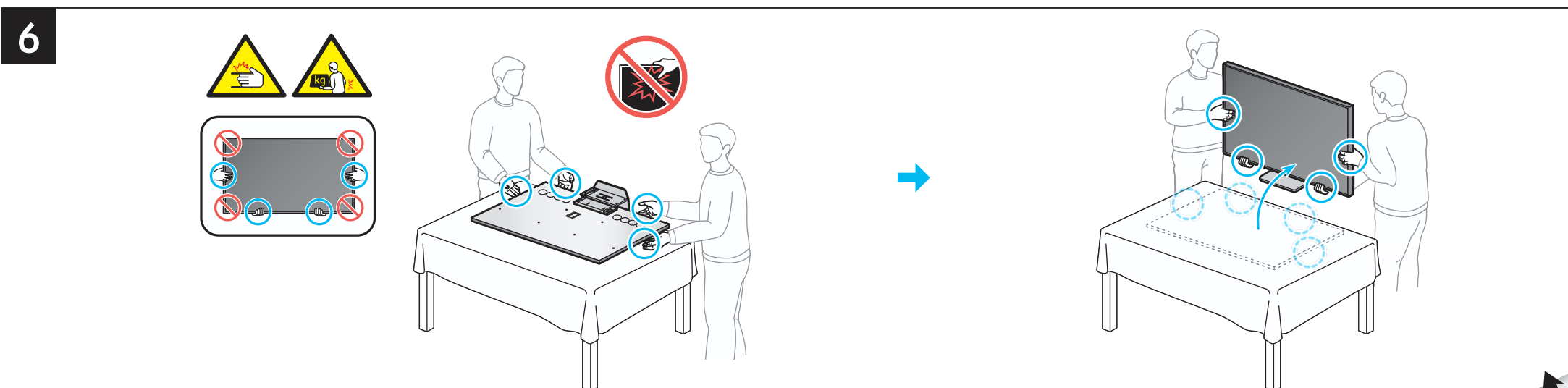
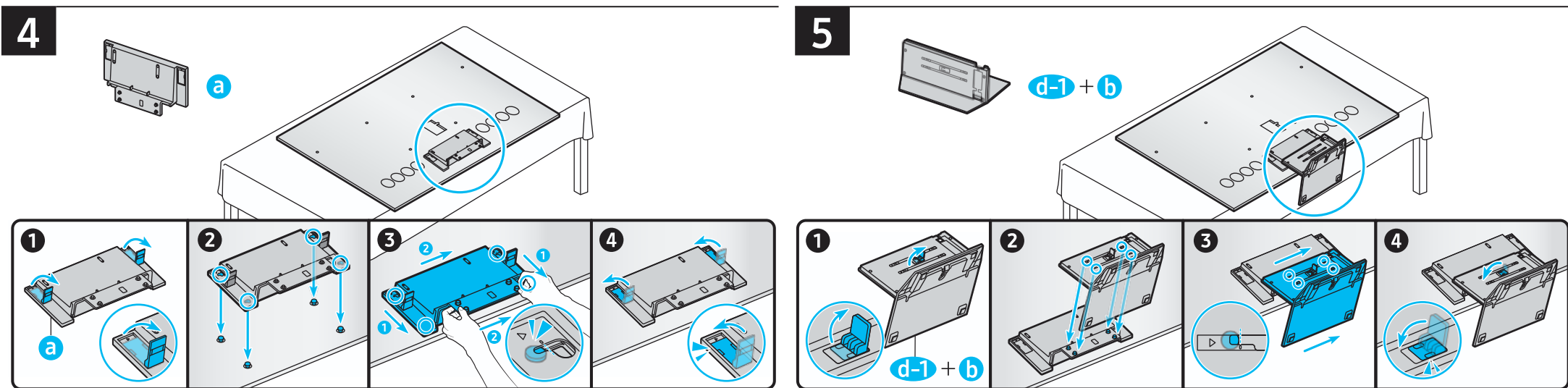
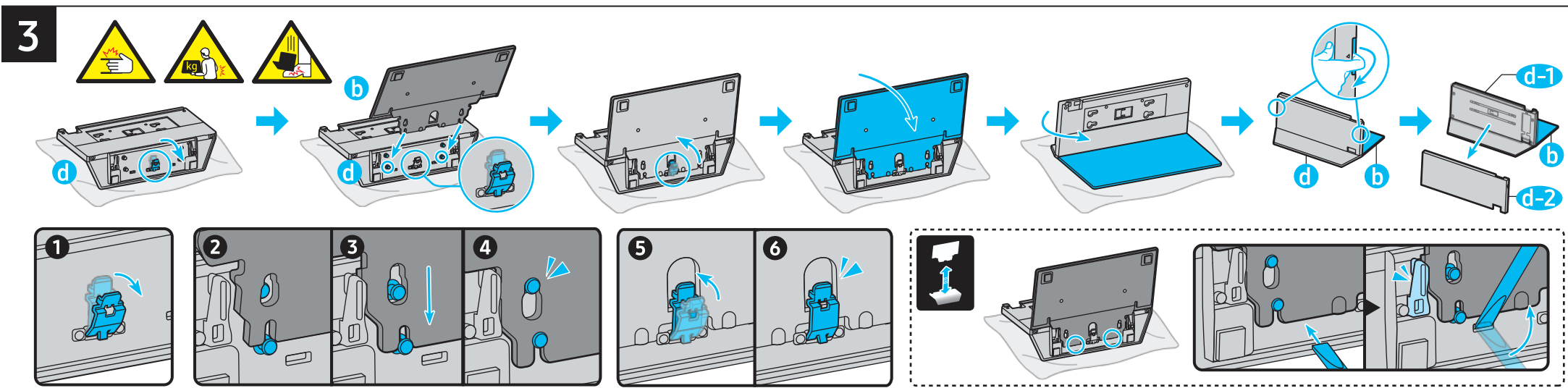
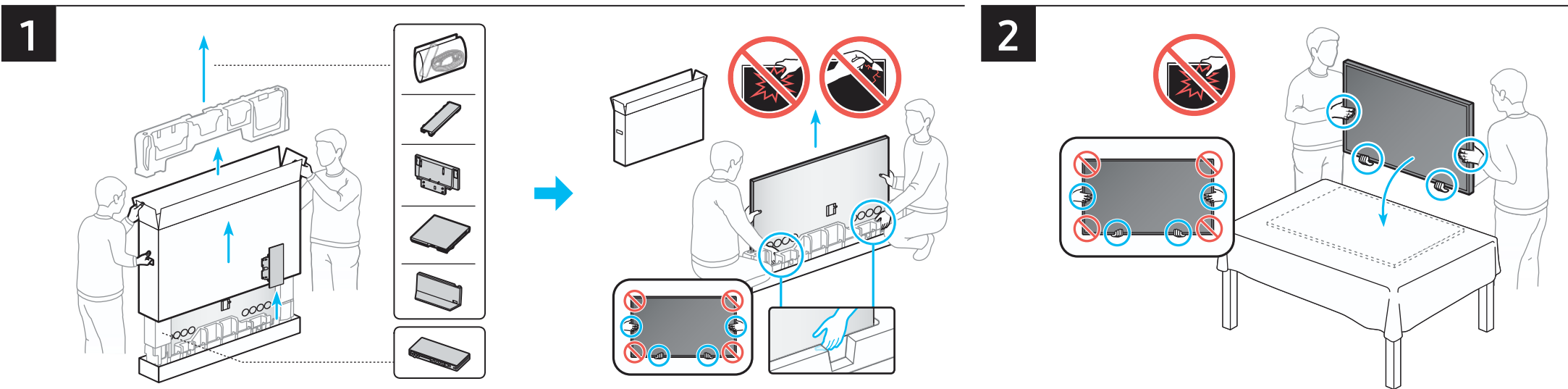


SAMSUNG

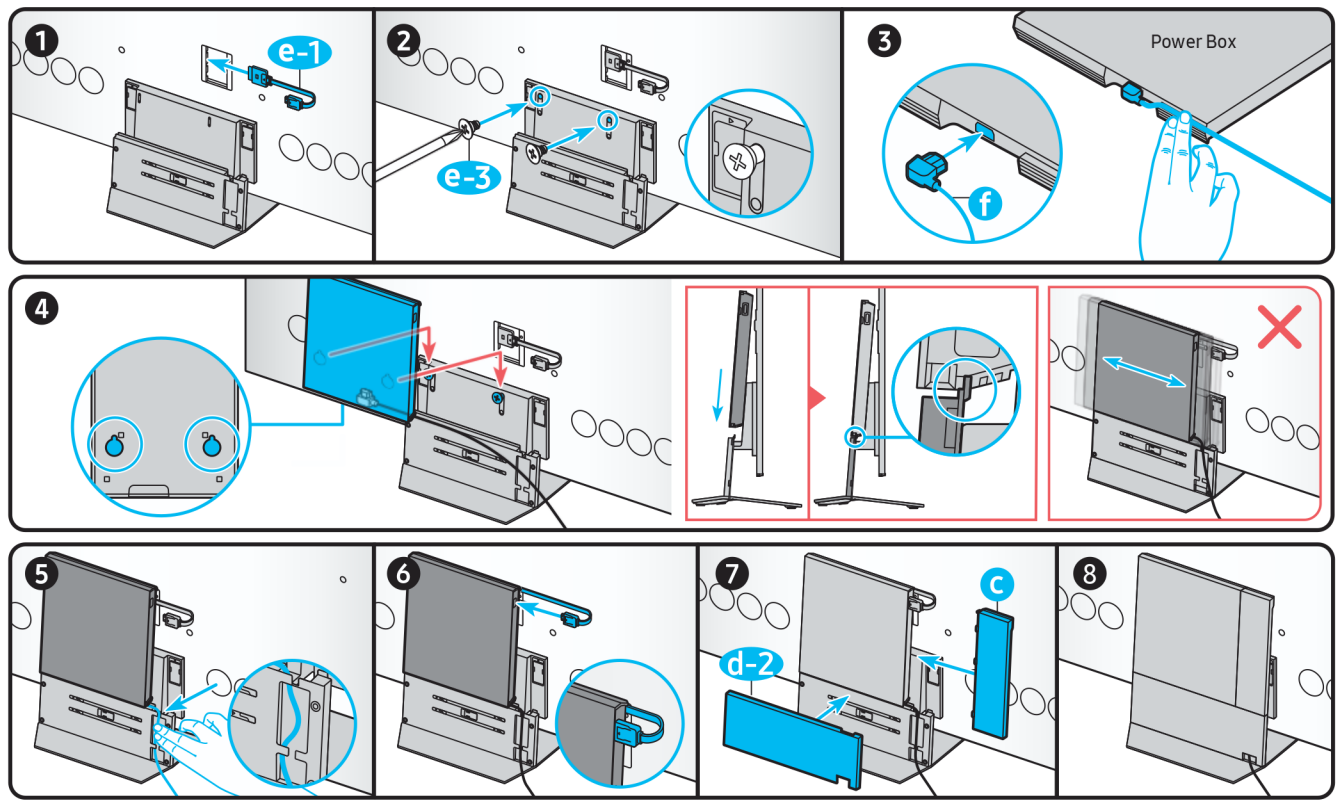
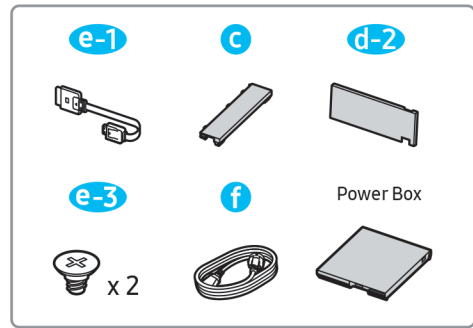
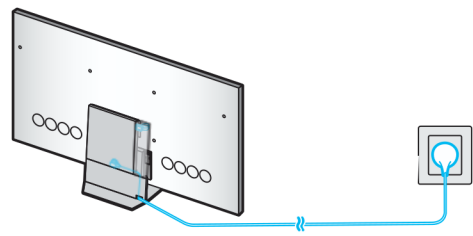
Unpacking and Installation Guide



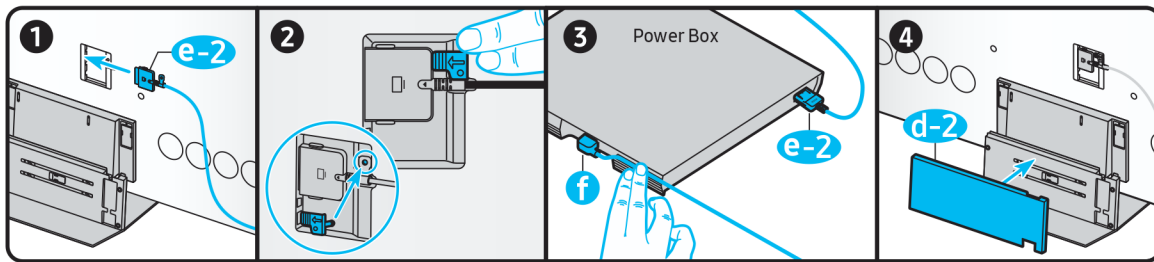
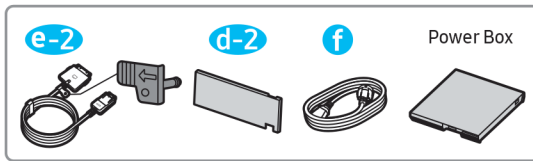
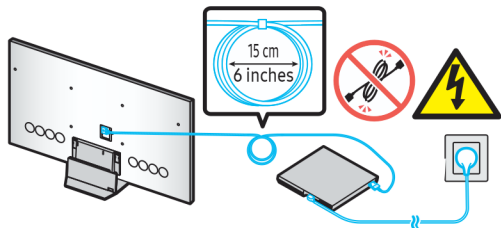
Scan this QR code with your smart phone to see helpful videos.



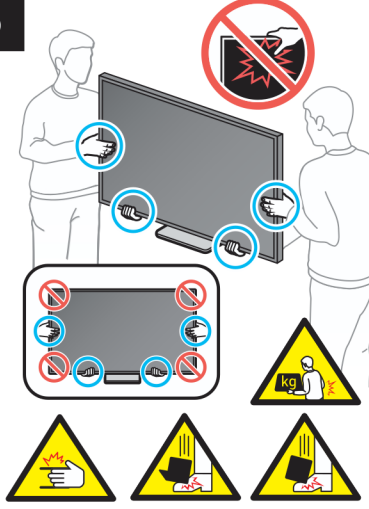
7-A



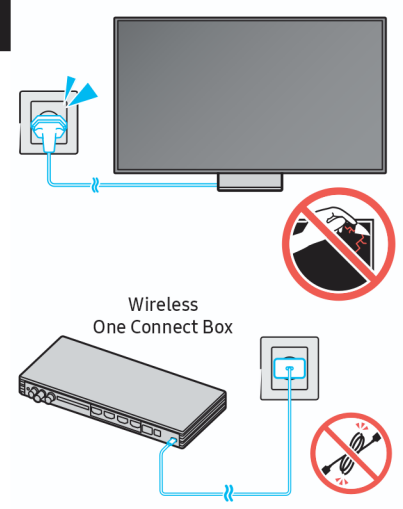
7-B



8

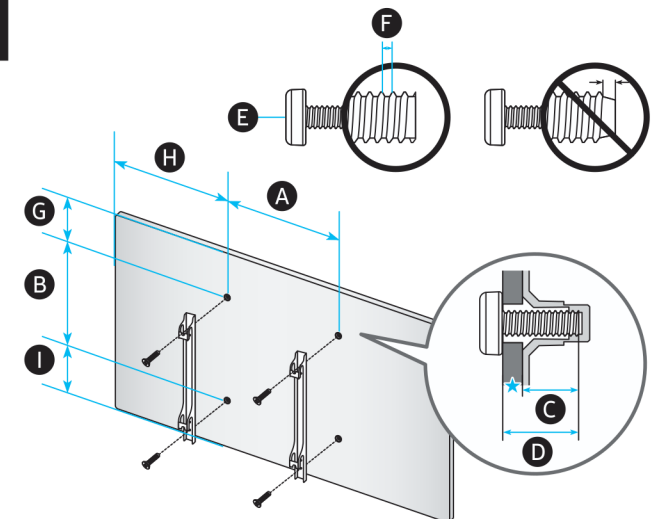
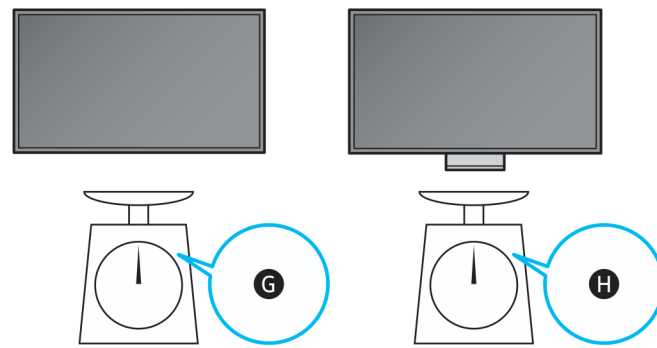
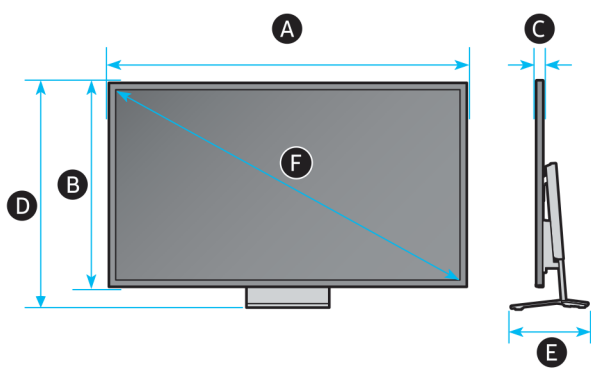
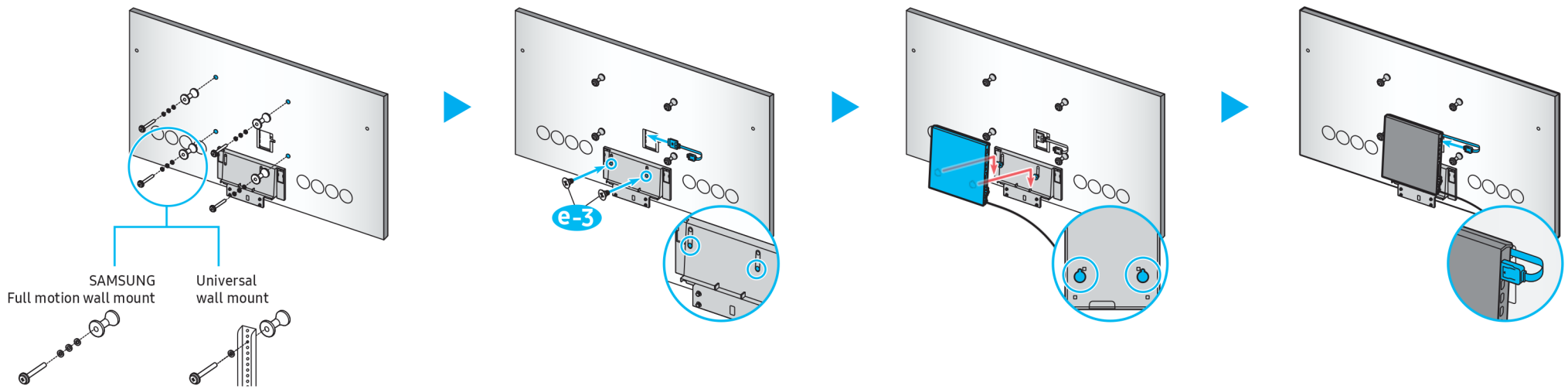


9



- HOLDER-BOLT (M8xL68) x 4
- BRACKET-WASHER x 12
- HOLDER-WALL RING x 4

* When installing the TV as wallmount, You can place the Power Box as shown below.
 * When installing the TV as wallmount using Auto Rotating wallmount, Don't place the Power Box on back of the TV. (65" only)
 * Wall mount sold separately. A full motion TV wall mount is recommended to mount the 65", 75" and 85" Class Samsung Neo QLED 8K-QN9**F when placing the Power Box behind the TV (as illustrated in the inbox Installation Guide). Other wall mount types (tilted, fixed) may require you to dismount TV from the wall in order to access the Power Box.



*: 0-9, A-Z

	A	B	C	D	E	F	G	H
65QN9**F	56.4 inches (1433.5 mm)	32.1 inches (815.1 mm)	0.5 inches (12.9 mm)	35.1 inches (892.4 mm)	10.5 inches (265.7 mm)	64.5 inches	47.6 lbs (21.6 kg)	66.6 lbs (30.2 kg)

*: 0-9, A-Z ★ : Wall-Mount Bracket

	VESA A x B (mm)	C (mm)	D	E x 4 (mm)	F (mm)	G (inches)	H (inches)	I (inches)
65QN9**F	400 x 300	5-6	C + ★	M8	1.25	8.4	20.3	11.8