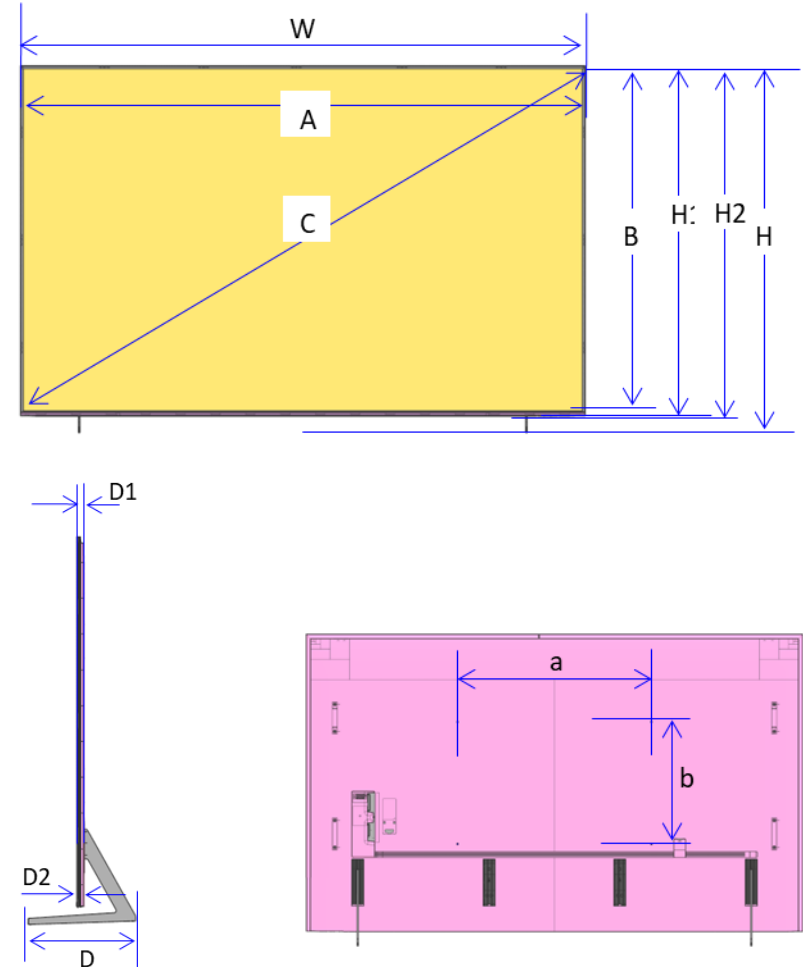


QN90F

***Dimensions in millimeters (+ / - 0.1 mm)**

QN90F Set Dimension

| | 115" |
|---|--------------------------------------|
| SET(With stand) (W * H * D) | 2565.2 * 1525.0 * 467.2 |
| SET(Without stand) (W * H1(H2) * D1(D2)) | 2565.2 * 1467.6(1468.3) * 34.1(35.0) |
| Front Opening Area (A * B * C) | 2560.6 * 1443.2 * 2939.3 |
| Wall Mount (a * b) | 1000 * 600 |
| Packing Out (W * H * D) | 2675.0 * 1652.0(1787.0) * 250.0 |
| Net Weight (With stand) Kg | 86.0 |
| Net Weight (Without stand) Kg | 83.7 |
| Gross Weight | 119.5 (with pallet 133.6) |
| Loading Q'ty 20ft/40ft/40ft-HC/45ft/53ft | 18 / 36 / 36 / 36 / 45 |

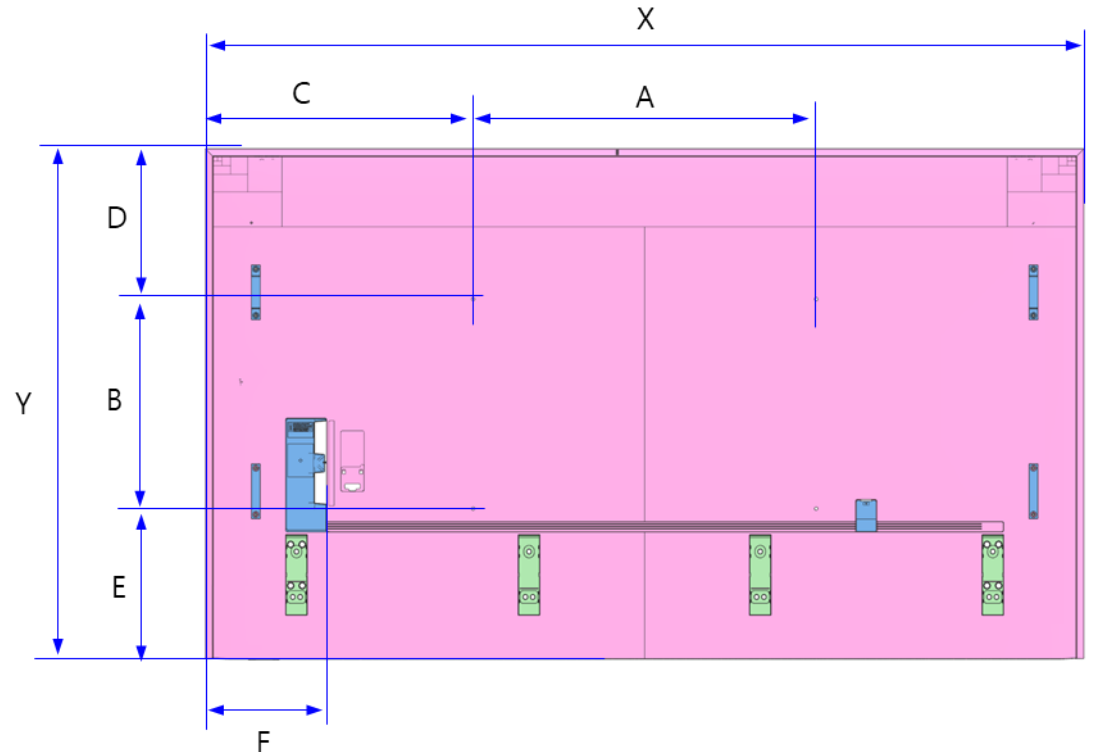


QN90F

**Dimensions in millimeters (+ / - 0.1 mm)*

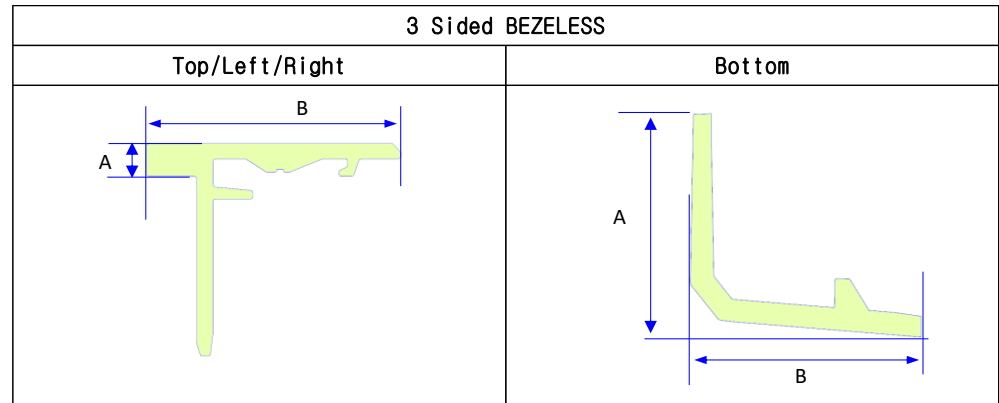
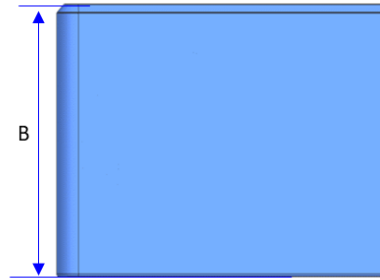
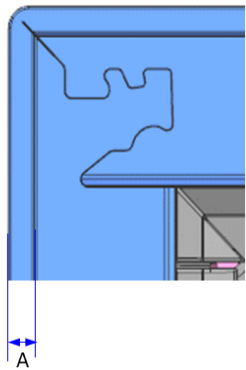
QN90F Cover and Rear-View Dimensions

| | 115" |
|------------------------|------------|
| WALL MOUNT(A*B) | 1000 x 600 |
| C | 781.0 |
| D | 431.2 |
| E | 431.3 |
| F | 353.4 |
| X | 2562.0 |
| Y | 1462.5 |
| Screw Depth | 16-18 |



QN90F

**Dimensions in millimeters (+ / - 0.1 mm)*



QN90F Bezel Dimensions

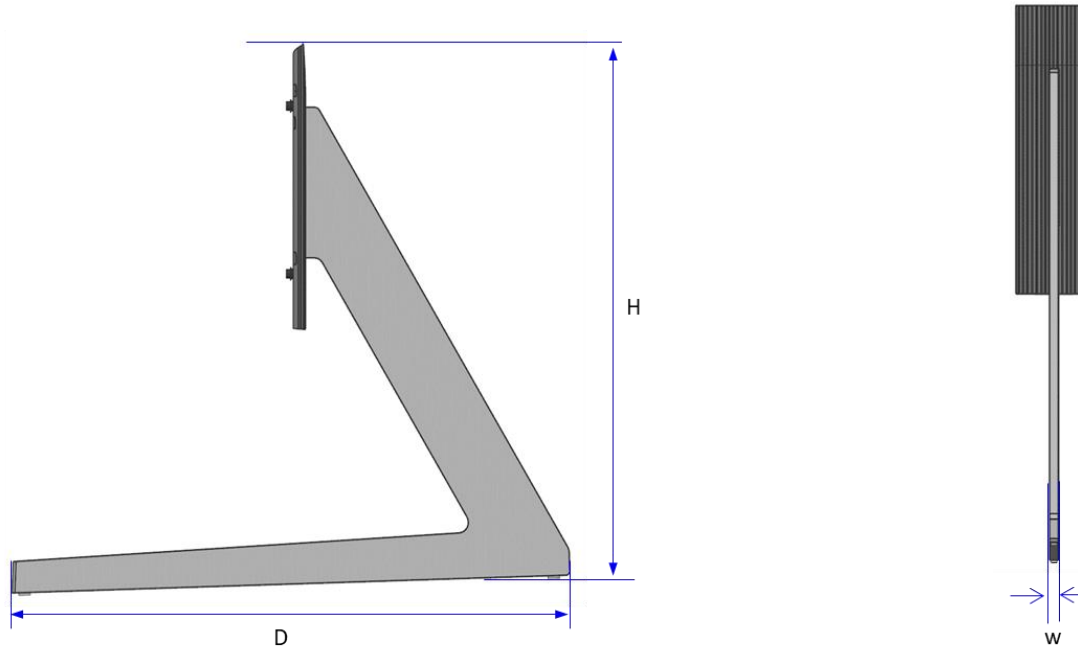
| | QN90F | |
|----------|----------------|--------|
| | 115" | |
| | Top/Left/Right | Bottom |
| A | 2.3 | 20.0 |
| B | 19.1 | 19.3 |

QN90F

**Dimensions in millimeters (+ / - 0.1 mm)*

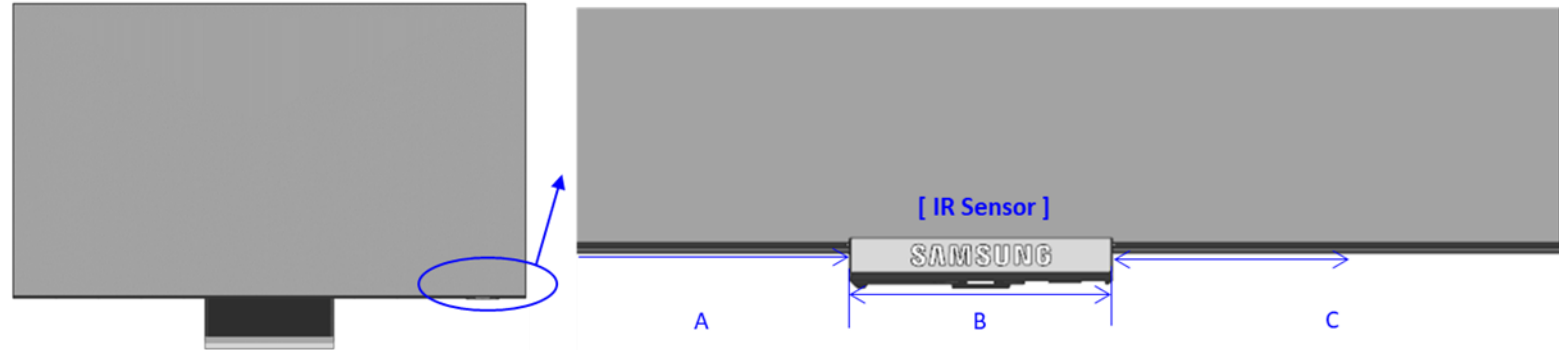
QN90F Stand Dimensions 115"

| | QN90F |
|-----------------------------|----------------------------|
| | 115" |
| STAND (W(w)*H*D) | 62.5(11.0) * 417.0 * 467.2 |
| Distance (Max) | 2041.0 |
| Distance (Min) | 685.0 |



**Dimensions in millimeters (+ / - 0.1 mm)*

2025 New Model IR Sensor Information



| Product | Series | Inch | Item | Sensor Position | DIMENSION | | |
|-------------|--------|------|----------------|-----------------|-----------|------|-------|
| | | | | | A | B | C |
| Neo QLED 4K | QN90F | 115 | QN115QN90FFXZA | Right | 2379 | 27.6 | 158.6 |
| | | 98 | QN98QN90FAFXZA | Right | 1994.6 | 43.9 | 146.6 |
| | | 85 | QN85QN90FAFXZA | Right | 1684.3 | 27.6 | 180.3 |
| | | 75 | QN75QN90FAFXZA | Right | 1488.7 | 27.6 | 153.7 |
| | | 65 | QN65QN90FAFXZA | Right | 1310.0 | 27.6 | 108.7 |
| | | 55 | QN55QN90FAFXZA | Right | 1115.7 | 27.6 | 84.0 |
| | | 50 | QN50QN90FAFXZA | Right | 1009.1 | 27.6 | 76.9 |
| | | 43 | QN43QN90FAFXZA | Right | 865.7 | 27.6 | 67.5 |