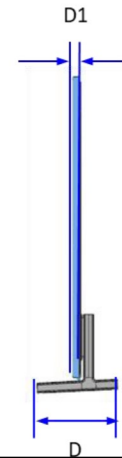
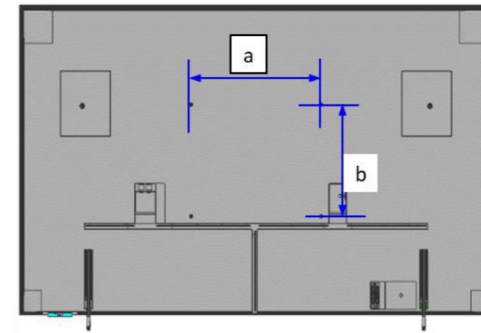
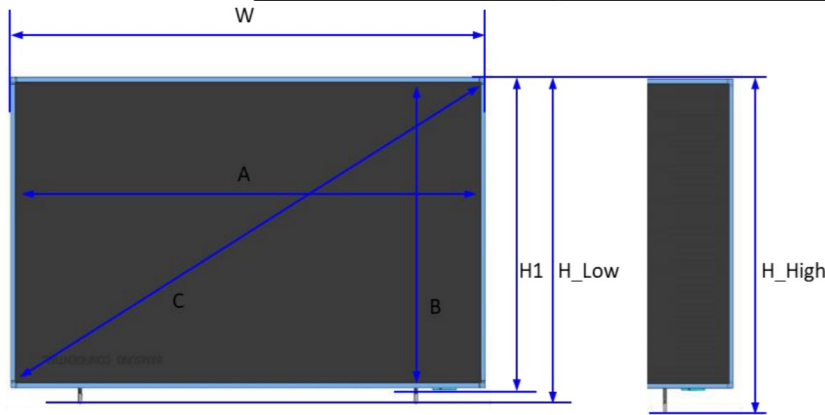


LS03FW

**Dimensions in millimeters (+ / - 0.1 mm)*

LS03FW Set Dimension

	65"	75"	85"
SET(With stand) (W * H_Low (H_High) * D)	1456.7 * 866.5(891.5) * 256.8	1685.3 * 995.3(1020.3) * 319.8	1904.3 * 1127.2(1152.2) * 369.0
SET(Without stand) (W * H1 * D1)	1456.7 * 836.9 * 24.9	1685.3 * 965.4 * 26.9	1904.3 * 1090.9 * 26.9
* Front Opening Area (A * B * C)	1431.9 * 806.9 * 1642.1	1653.6 * 931.7 * 1896.5	1875.4 * 1056.4 * 2150.9
Wall Mount (a * b)	400 * 300	400 * 400	600 * 400
Packing Out (W * H * D)	1598 * 933 * 164	1834 * 1082 * 171	2068 * 1200 * 178
Net Weight (With stand) Kg	22.03	30.93	41.13
Stand Weight Kg	0.180	0.220	0.320
Net Weight (Without stand) Kg	21.85	30.71	40.81
Gross Weight Kg	29.67	40.48	53.68



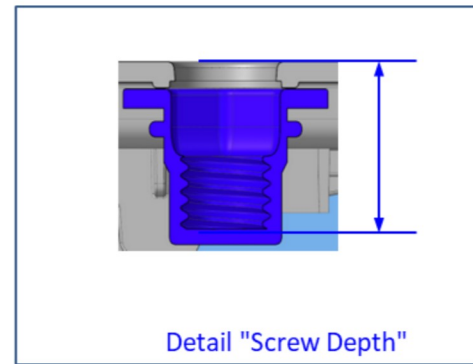
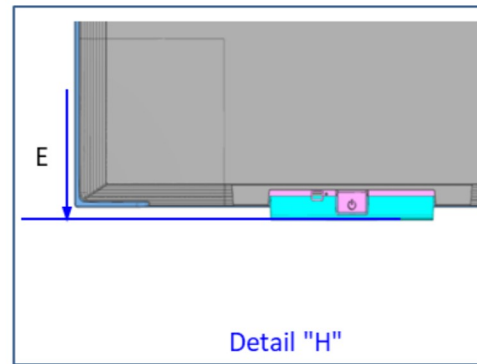
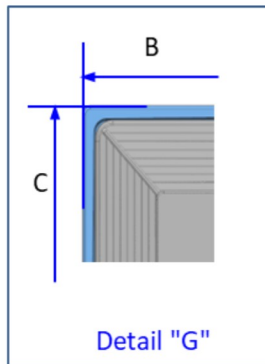
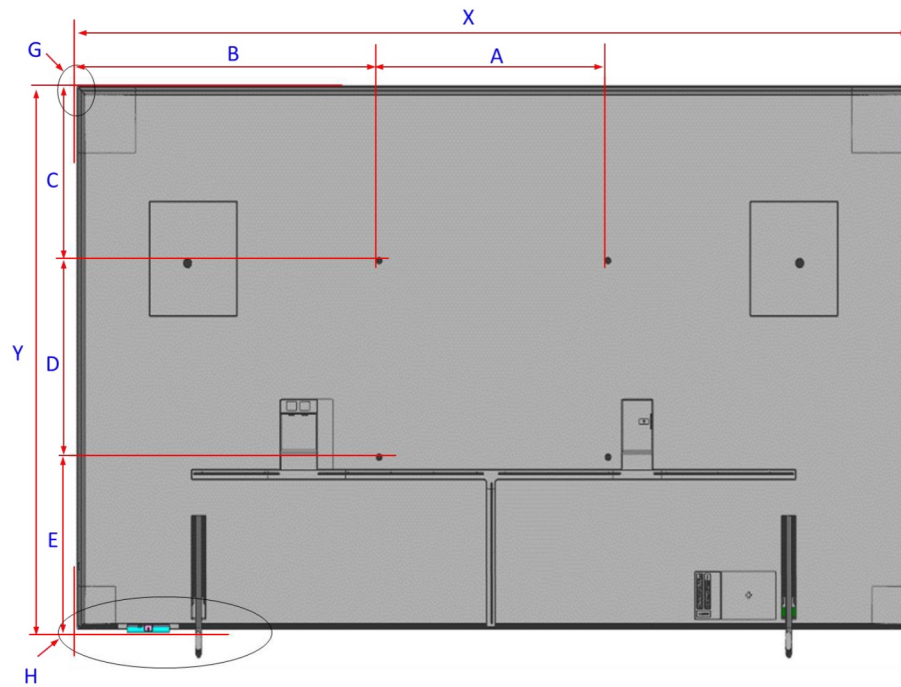
SAMSUNG IS NOT RESPONSIBLE FOR INACCURACIES. FOR CRITICAL INSTALLATIONS, IT IS STRONGLY RECOMMENDED TO CONFIRM ALL MEASURES BY USING AN ACTUAL SAMPLE MODEL INTENDED FOR A SPECIFIC INSTALLATION.

LS03FW

**Dimensions in millimeters (+ / - 0.1 mm)*

LS03FW Cover and Rear View

	LS03FW		
	65"	75"	85"
WALL MOUNT(AXD)	400 * 300	400 * 400	600 * 400
B	527.9	641.1	652.2
C	266.7	262.3	357.7
E	269.7	303.0	333.2
X	1456.7	1682.3	1904.3
Y	836.9	965.4	1090.9
Screw Depth	10 - 12	10 - 12	10 - 12

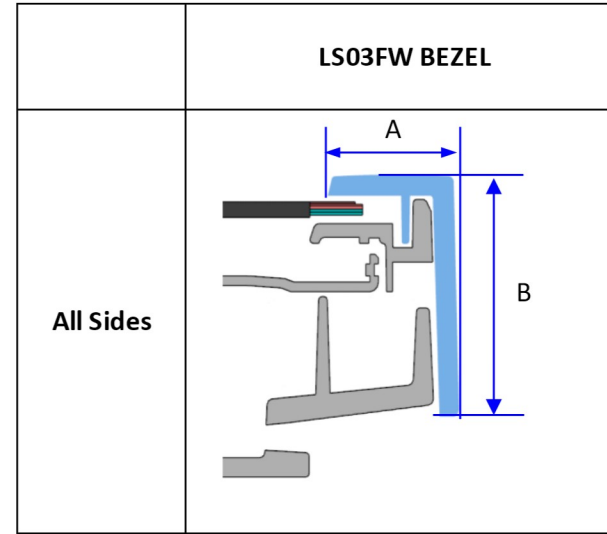
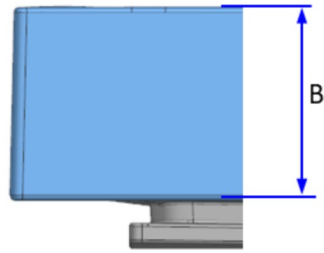
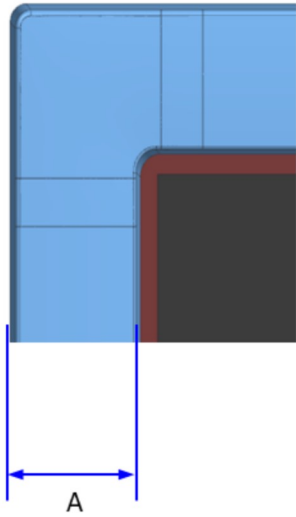


※ X, Y
 1) SET's Outermost.
 * E, Y : From LOGO

SAMSUNG IS NOT RESPONSIBLE FOR INACCURACIES. FOR CRITICAL INSTALLATIONS, IT IS STRONGLY RECOMMENDED TO CONFIRM ALL MEASURES BY USING AN ACTUAL SAMPLE MODEL INTENDED FOR A SPECIFIC INSTALLATION.

LS03FW

**Dimensions in millimeters (+ / - 0.1 mm)*



LS03FW Bezel Dimensions

	LS03FW								
	65"			75"			85"		
	Top	L/R	Bottom	Top	L/R	Bottom	Top	L/R	Bottom
A	12.4	12.4	12.6	14.3	14.3	14.5	14.5	14.5	14.5
B	19.9	19.9	19.9	19.9	19.9	19.9	19.9	19.9	19.9

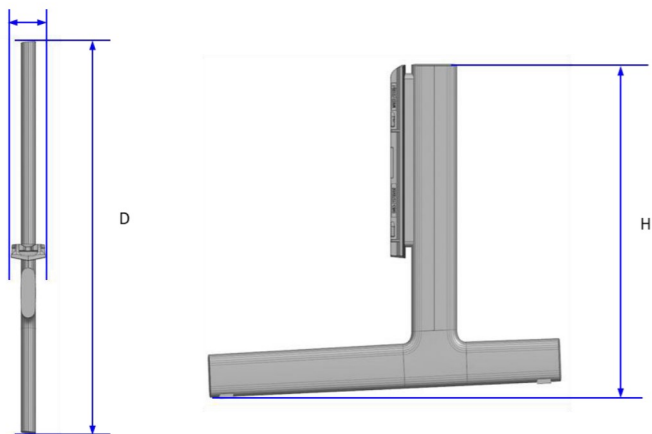
SAMSUNG IS NOT RESPONSIBLE FOR INACCURACIES. FOR CRITICAL INSTALLATIONS, IT IS STRONGLY RECOMMENDED TO CONFIRM ALL MEASURES BY USING AN ACTUAL SAMPLE MODEL INTENDED FOR A SPECIFIC INSTALLATION.

LS03FW

**Dimensions in millimeters (+ / - 0.1 mm)*

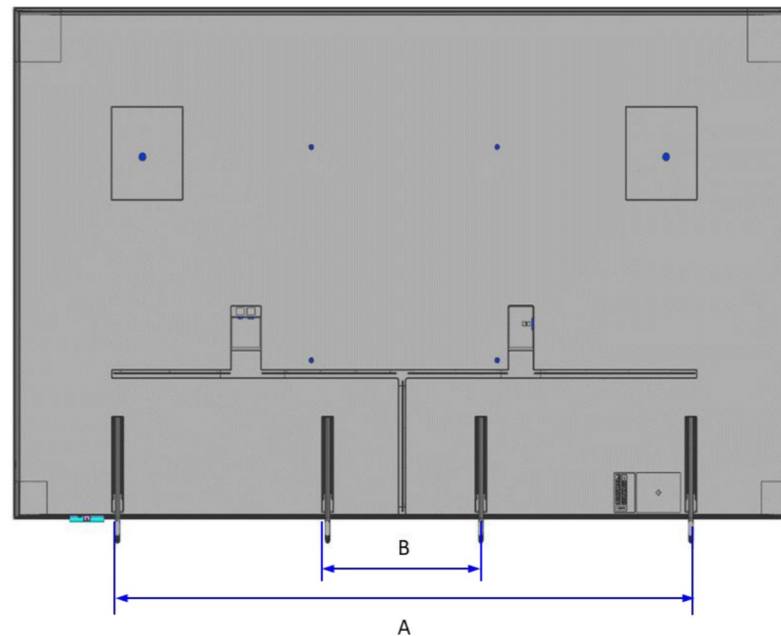
LS03FW Stand Dimensions

	LS03FW		
	65"	75"	85"
STAND (W*H*D)	24.7 * 219.1 * 256.8	24.7 * 237.8 * 319.8	24.7 * 261.2 * 369.0



LS03FW Distance Between Stands

	LS03FW		
	65"	75"	85"
A	1041.6	1244.2	1410.2
B	-	340.2	360.2



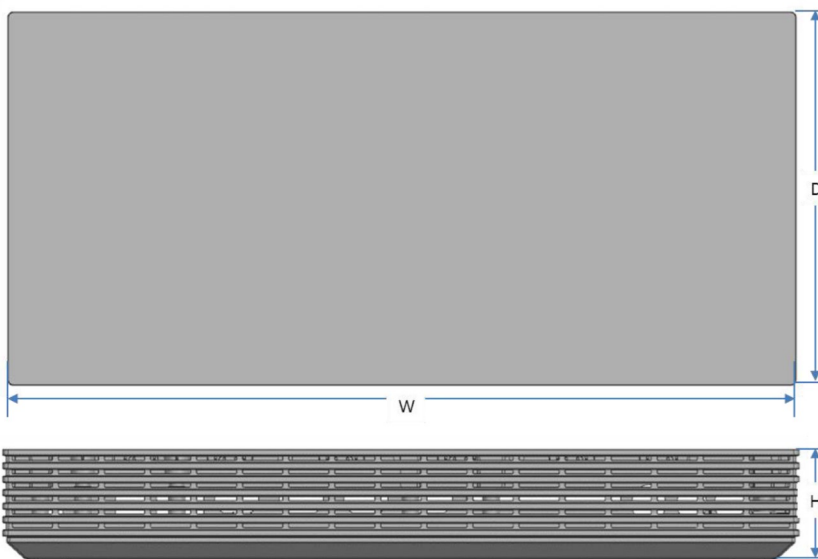
SAMSUNG IS NOT RESPONSIBLE FOR INACCURACIES. FOR CRITICAL INSTALLATIONS, IT IS STRONGLY RECOMMENDED TO CONFIRM ALL MEASUREMENTS USING THE SPECIFIC TV TO BE INSTALLED.

LS03FW

**Dimensions in millimeters (+ / - 0.1 mm)*

LS03FW Wire-less One Connect Box

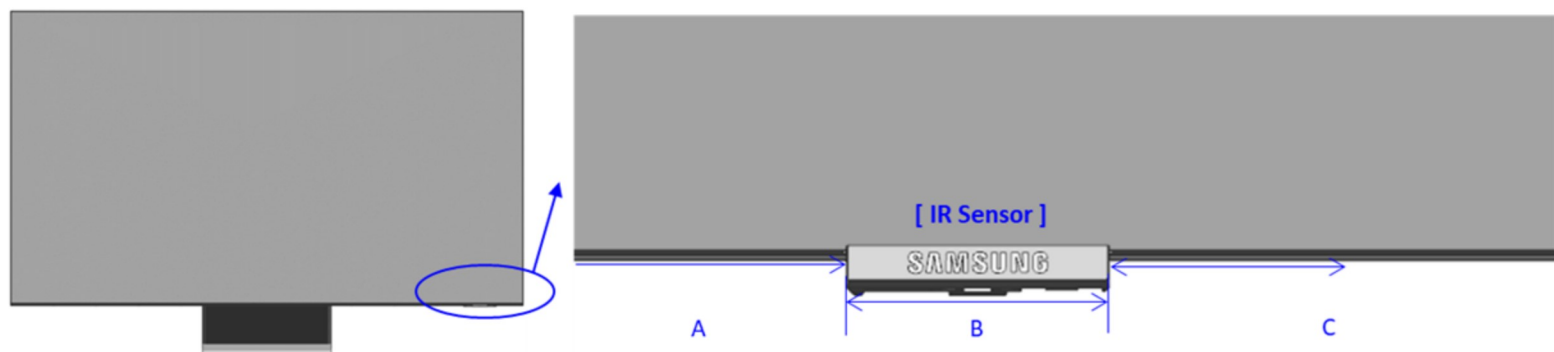
	LS03FW
OC BOX (W*H*D)	295.9 * 37.9 * 127.4



*SAMSUNG IS NOT RESPONSIBLE FOR INACCURACIES. FOR CRITICAL INSTALLATIONS,
IT IS STRONGLY RECOMMENDED TO CONFIRM ALL MEASUREMENTS USING THE SPECIFIC TV TO BE INSTALLED.*

**Dimensions in millimeters (+ / - 0.1 mm)*

2025 New Model IR Sensor Information



Product	Series	Inch	Item	Sensor Position	DIMENSION		
					A	B	C
Lifestyle	Frame Pro	85	QN85LS03FWFXZA	Right	1683.4	73.7	147.4
		75	QN75LS03FWFXZA	Right	1487.2	73.7	121.2
		65	QN65LS03FWFXZA	Right	1295	73.7	88

SAMSUNG IS NOT RESPONSIBLE FOR INACCURACIES. FOR CRITICAL INSTALLATIONS, IT IS STRONGLY RECOMMENDED TO CONFIRM ALL MEASUREMENTS USING THE SPECIFIC TV TO BE INSTALLED.