

a sound relationship
Russound



MCA-66

6 Source, 6 Zone Controller Amplifier

DESCRIPTION

Building on Russound's legendary reliability, simplicity, and sound quality, MCA-66 offers superb sound quality, fast response time, digital input options, quick configuration, and the reliability and dependability you've come to expect from Russound. The intuitive Russound App conveniently controls the entire system and displays metadata* using tablets and phones. In addition, a wide assortment of keypads, touchscreens and hand-held remotes ensures optimum control for any location.

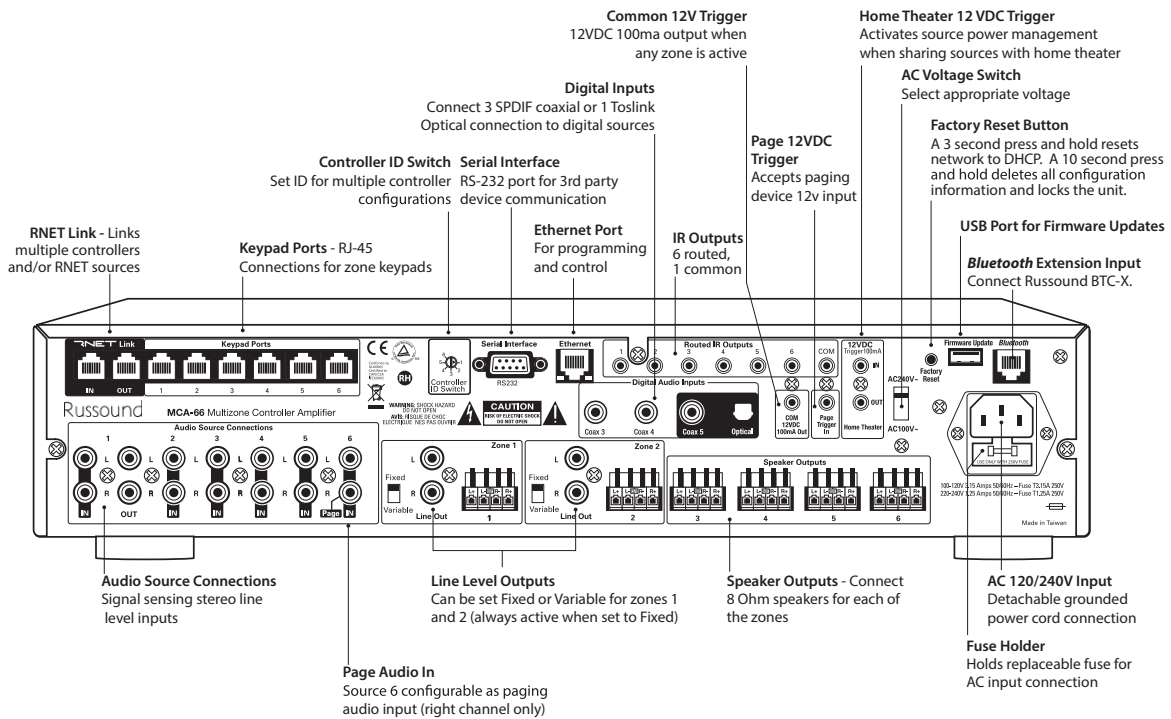
Engineered for flexible configuration and easy integration, the controllers satisfy any design challenge. The system allows multiple controllers to be combined to create up to 36 independent zones. The Russound MCA-Series of multi-zone controllers delivers the perfect balance of popular music content, audio performance, and optimal control

*Metadata on the Russound App only when used with a compatible Russound source.

RUSSOUND CERTIFIED INSTALLER REQUIRED

The MCA-66 is part of the Russound Certified Installer (RCI) Program and can only be installed and configured by a Russound Certified Installer. The RCI Program is designed to provide the best possible product and installation experience to our consumers while maximizing the value that the thousands of Russound installers in the US and around the world offer to their customers throughout the sale and installation process. To find out more about how to become an RCI, contact us at 603-659-5170 or sales@russound.com.

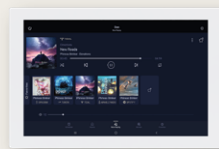




ADDITIONAL FEATURES:

- RS-232 and IP for 3rd party integration
- Home Theater 12V Trigger In/Out for Shared Sources
- Global 12V Trigger Output
- Removable Screwless Speaker Connectors
- Paging System Support with Dedicated 12V Trigger Input
- Perform basic configuration from your smartphone, tablet or computer with Web Config

INTERFACE OPTIONS



XTS7
Wall-Mounted Color Touchscreen



IPK-1
Wall-Mounted Color Touchscreen



Russound App
iOS/Android

The Russound MCA-66 digital multi-zone controller amplifier provides up to 6 zones of distributed audio, for up to 6 audio sources. Scalable to 36 zones, the MCA-66 provides numerous options to tailor to residential or light commercial distributed audio systems. The Bluetooth® connection allows the installation of the MCA-66 in an equipment rack while remotely locating the optional Russound BTC-2X Bluetooth receiver up to 500' away. Additionally, the BTC-2X improves audio quality through the high performance aptX® audio codec. An RNET link allows for metadata transmission, linking multiple MCA controllers and enables connection to all Russound RNET Smart Sources as well as Streaming products like the MBX Series. All MCA products are Ethernet enabled devices allowing for IP based features and control. RIO (Russound I/O) allows IP based control systems to integrate with, control, and communicate bi-directionally through an open protocol. In addition to dedicated keypads and touchscreen control options, the free Russound App (iOS and Android) controls all Russound Ethernet connected products on the LAN including the MCA-66 and its source components. Custom audio settings, party mode, do not disturb, source and zone linking, and all-on/all-off participation are standard features.

ON-BOARD WEB-CONFIGURATION

The MCA-66 features Web Config, an on-board hosted web page used for basic configuration and firmware updates. With Web Config, configuring your controller has now never been easier. Web Config allows an RCI installer to configure and update your controller from the palm of your hand using a smartphone or tablet. Future firmware updates will enable even more programming functionality.

The MCA-66 has alarm and sleep timers, a Home Theater trigger and a 12VDC trigger output for power management and control. With the Russound app or the XTS7 touchscreen, the MCA-66 communicates vital information such as preset names, station ID, artist, song titles and album art depending on the capabilities of the source being used. The convenient IPK-1 keypad can also be used for areas where basic control is sufficient such as entry/exit areas of a home or business or any area where the Russound App might be the predominant control interface.

TECHNICAL SPECIFICATIONS

MCA-66 CONTROLLER AMPLIFIER	
Audio Source Inputs	6 stereo RCA line level, 3 coax, 1 optical (maximum of 6 total inputs)
Audio Zone Outputs	6 Speaker Level 20W/ch (2 line level, fixed or variable selectable)
Watts per channel	20WRMS into 8 ohms
Frequency Response	20Hz-20kHz +/- 1 dB at 1W output into 8 ohms
Minimum Impedance	8 ohms
Total Harmonic Distortion	<0.05%, 1W output into 8 ohms 20Hz-20kHz
Signal to Noise Ratio	93 dB unweighted, 96 dB A-weighted
Common Trigger	Out, 12VDC, @100mA
Home Theater Trigger	In/Out, 12VDC (pass-through)
Page Trigger	In, 12VDC
Speaker connection	6 detachable, screwless 4 pole connectors
Keypad ports	6 RJ-45 T568A standard
IR Outputs	Up to 6 routed, 1 common
Communication ports	USB (firmware update only) 1 Serial RS-232, 19.2 kHz baud rate 1 Ethernet RJ-45, 10/100 Base T 2 RJ-45 RNET link ports
Power Supply	100-120 VAC, 60Hz US and Canada (MCA-66) 220-240 VAC, 50Hz International (MCA-66i)
Fuse Rating	100-120V/T5.0A 250V US and Canada (MCA-66) 220-240V/T3.15A 250V International (MCA-66i)
Dimensions	17"W x 3.5"H x 13.4"D (43.2 x 9 x 34 cm)
Weight	19.2 lbs. (8.7 kg)

PRODUCT SPECIFICATIONS

Model/Part Number	Shipping Dimensions	Shipping Weight
MCA-66 1550-536359	20.4"W x 20.2"D x 9.8"H (52 x 51 x 25 cm)	34.8lbs (15.8kg)
MCA-66i 1550-536410	20.4"W x 20.2"D x 9.8"H (52 x 51 x 25 cm)	36lbs (16.3kg)



Our MCA-66 6-Source 6-Zone Controller Amplifier is backed by Russound's 2-year Limited Warranty on parts and Labor.