

LED-DRJ 60W

12/24V DC CONSTANT VOLTAGE DRIVER

The LED-DRJ Series features universal 100-277V AC power input with high reliability and Class 2 rating. Standard built-in protections include short circuit, over-current, over-voltage, and over temperature. Used commonly with DMX decoders and controls for secondary side dimming, they can also be used in non-dimming applications (minimum loads apply). Durable aluminum housing features integrated junction box and wet location rating.

- 12V or 24V DC constant voltage hardwire driver
- Non-dimmable option for installations where primary side dimming is not needed
- Short circuit, over-load, and over-temperature protections
- Slim, compact aluminum housing design (only 1.72" tall)
- Integrated wiring compartment
- Free air convection cooling
- Class 2, Class P, Type HL, FCC compliant
- cULus Listed, Wet location rated

PROJECT:
TYPE:
LOCATION:
CATALOG NUMBER:

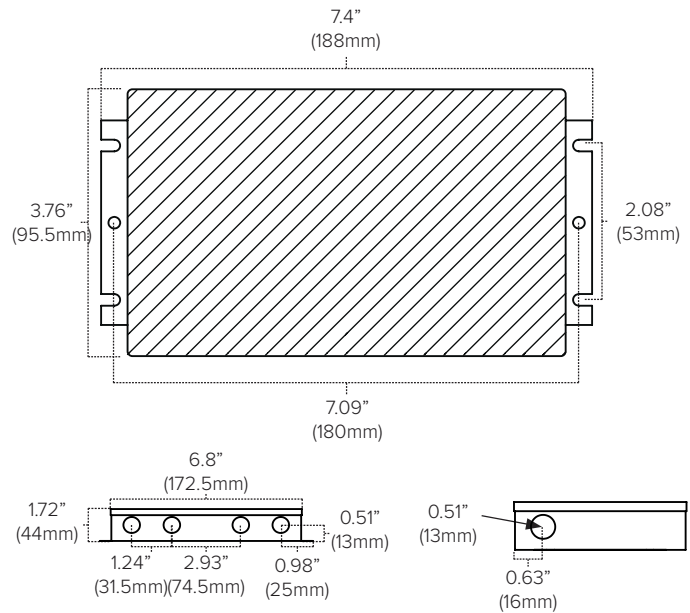


ADAPTIVE - 60W QUICK SPECS

SERIES	ADPT-DRJ 60W
INPUT VOLTAGE	100-277V AC
INPUT CURRENT	0.9A
OUTPUT VOLTAGE	12VDC / 24VDC
RATED CURRENT	5A@12VDC / 2.5A@24VDC
POWER FACTOR	0.95
MIN LOAD	6W
MAX LOAD	60W
EFFICIENCY	> 83%
DIMENSIONS	7.4" (188mm) L x 3.76" (95.5mm) W x 1.72" (44mm) H
DIMMING	Non-Dimming
STORAGE TEMP	-40°F to 176°F (-40°C to 80°C)
AMBIENT TEMP	-40°F to 140°F (-40°C to 60°C)
OPERATING TEMP	-40°F to 140°F (-40°C to 60°C)
RATING	cULus Listed for Wet locations

*Recommended: Do not load a driver more than 90% of max load.

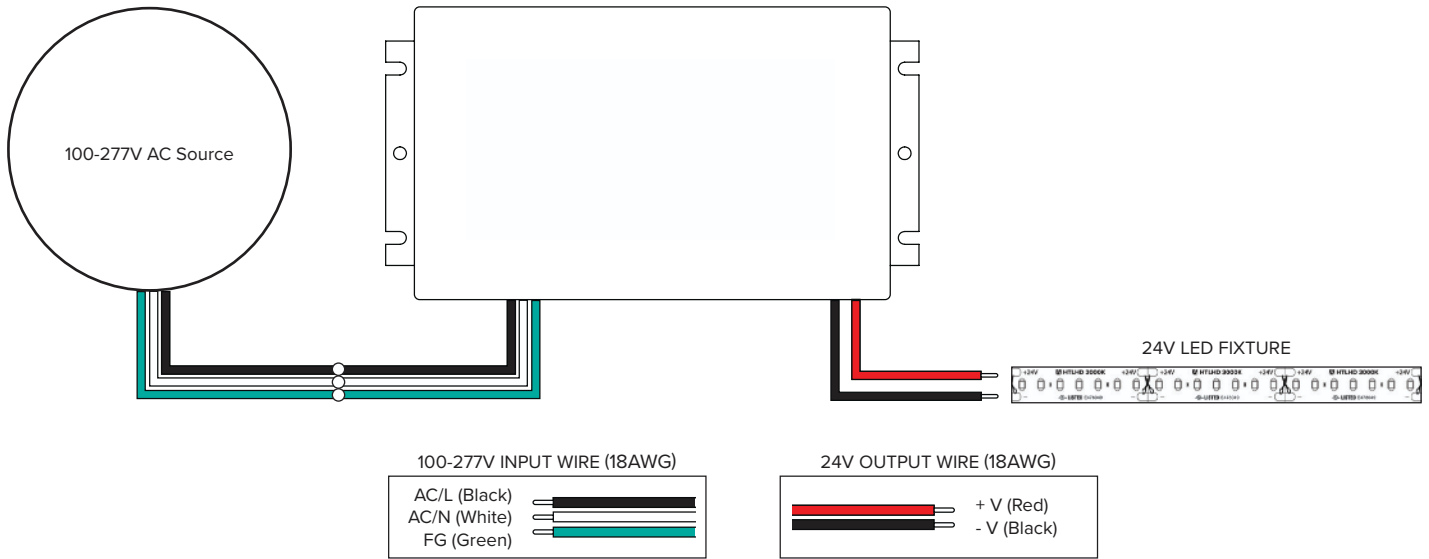
LED-DRJ 60W DRIVER QUICK DIMENSIONS



LED-DRJ 60W DRIVER ORDERING INFORMATION

ITEM NUMBER	DESCRIPTION	INPUT VOLTAGE	OUTPUT VOLTAGE	MIN LOAD	MAX LOAD
PLX-LEDDRJ12V-60	60W constant voltage driver	100-277V DC	12V DC	6W	60W
PLX-LEDDRJ24V-60	60W constant voltage driver	100-277V DC	24V DC	6W	60W

LED-DRJ - 60W WIRING DIAGRAM





PROLUXE LIGHTING WARRANTY

LIMITED WARRANTY FOR LED PRODUCTS: 2 YEARS

LIMITED PRODUCT WARRANTY

Our products are warranted to be free from defects in material and workmanship for the warranty period listed. Warranty periods begin from the date of shipment from American Lighting Inc's warehouse to the original purchaser. Products that prove to be defective during their specific warranty period will be either repaired or replaced, at the sole discretion of American Lighting Inc. Claims for defective products must be submitted in writing to American Lighting Inc's RGA Department within the warranty period. Upon approval of such return, American Lighting Inc reserves the right to inspect the product for misuse or abuse. Claims for indirect or consequential damages or for product that, in American Lighting Inc's opinion, has been misused will be denied. This is a warranty of product reliability only and not a warranty of merchantability or fitness for a particular purpose. American Lighting Inc shall have no liability whatsoever in any event for payment of incidental or consequential damages, including, without limitations, installation costs and/or damages for personal injury and/or property. These products may represent a possible shock or fire hazard if improperly installed or altered in any way. This warranty does not apply to any product that has not been properly installed in accordance with current local codes and/or the National Electrical Code. Products that require a transformer, driver, or power supply must be used in conjunction with American Lighting Inc's recommended power supply to ensure safety and retain product warranty.

PRODUCT SPECIFICATIONS

For the latest product information, updates, instructions and details concerning specifications, colors, finishes, performance, installation and design, visit www.americanlighting.com. Color may vary from the color printed herein due to limitations in photographic and printing processes. American Lighting Inc. reserves the right to change product specifications without notice. Other product specifications such as color temperature, wavelength characteristics and lumen output are subject to production limitations and may vary. LED technology is changing rapidly, and not all color temperatures and performance levels can be duplicated at a later time. Best practices include purchasing 10-15% more for a particular project on the same initial order where white LED color temperatures must be maintained over project and product life. Eventual product replacement should be considered at layout and design stages. Best practices also include testing connections and product performance prior to mounting and/or installing.

AVERAGE LIFE

Average incandescent lamp life, rated life and average life are terms used to describe the number of hours at which half of the lamps have failed. For LEDs, the hours of rated life specify the point where 70% of original lumen output is reached. Below this point, the effective life is over, however, the LED may still emit light. Individual results may vary with actual environmental conditions including, but not limited to, proper installation, ambient temperature and/or input voltage fluctuations.