

HTL SERIES ORDERING INFORMATION

Custom Cut Orders - Please Allow Up To 2-4 Weeks Order Processing & Delivery

ITEM NUMBER	VOLTAGE	CCT	LENGTH	LUMENS / FT	WATTAGE / FT	IP RATING	CRI	CUTTING	MAX RUN
PLX-HTL-UWX-CC	24V DC	2400K	Custom Cut*	285Lm / ft	4.6W / ft	IP54	96+	3.94" (100mm)	22 ft
PLX-HTL54-27K-24V-16	24V DC	2700K	16.4 ft	285Lm / ft	4.6W / ft	IP54	96+	3.94" (100mm)	22 ft
PLX-HTL65-27K-24V-16	24V DC	2700K	16.4 ft	260Lm / ft	4.6W / ft	IP65	96+	3.94" (100mm)	22 ft
PLX-HTL54-27K-24V-100	24V DC	2700K	100 ft	285Lm / ft	4.6W / ft	IP54	96+	3.94" (100mm)	22 ft
PLX-HTL54-30K-24V-16	24V DC	3000K	16.4 ft	300Lm / ft	4.6W / ft	IP54	96+	3.94" (100mm)	22 ft
PLX-HTL65-30K-24V-16	24V DC	3000K	16.4 ft	270Lm / ft	4.6W / ft	IP65	96+	3.94" (100mm)	22 ft
PLX-HTL54-30K-24V-100	24V DC	3000K	100 ft	300Lm / ft	4.6W / ft	IP54	96+	3.94" (100mm)	22 ft
PLX-HTL54-40K-24V-16	24V DC	4000K	16.4 ft	310Lm / ft	4.6W / ft	IP54	96+	3.94" (100mm)	22 ft

16.4ft Reels (IP54) Include: Attached 3ft Lead Wire / (3) PLX-TL-SC-4PWR / (3) PLX-TL-SC-4BLOCK / (3) PLX-TL-HVYDITYACCSRY-SC-PWR-6
 16.4ft Reels (IP65) Include: Attached 2ft IP65 Lead Wire +6" Conkit / Attached 2ft IP65 Tail Wire +6" Conkit / (3) HD Power Feeds (IP20)
 100ft Reels (IP54) Include: Attached 3ft Lead Wire / (5) PLX-TL-SC-4PWR / (5) PLX-TL-SC-4BLOCK / (5) PLX-TL-HVYDITYACCSRY-SC-PWR-6

HTL SERIES ACCESSORIES

ITEM NUMBER	DESCRIPTION
PLX-TL-SC-4PWR	6' Trulink 4-in-1 Connection Kit
PLX-TL-SC-4BLOCK	Trulink 4-in-1 Connector Block (QTY 10)
PLX-TL-HVYDITYACCSRY-SC-PWR-6	6' HD Power Feed (IP54)
PLX-TLHD-SC-JUMP-0.5	6" HD Linking Cable (IP54)
PLX-TL-HVYDITYACCSRY-SC-JUMP-2	24" HD Linking Cable (IP54)
PLX-TL-HVYDITYACCSRY-SC-SPL	HD Tape to Tape Splice Connector (IP54)
PLX-TL-HVYDITYACCSRY-SC-CONSNAP	90° "L" HD Tape to Tape Splice Connector (IP54)
PLX-TL65-SC-JUMP-0.5	6" Linking Cable (IP65)
PLX-TL65-SC-JUMP-1	12" Linking Cable (IP65)
PLX-TL65-SC-JUMP-10	24" Linking Cable (IP65)
PLX-WIRE-SC-20/2-15	15ft (20/2) Wire Spool
PLX-WIRE-TW-16/3-100	100ft (16/3) In-wall Rated Wire Spool
PLX-INLINE-SC	Simple Select In-line Controller (Single Color)
PLX-SC-LVSB	In-Line Splice Terminal Block
PLX-RCWY-3-PET	1m Plastic Wire Cover Raceway (White)

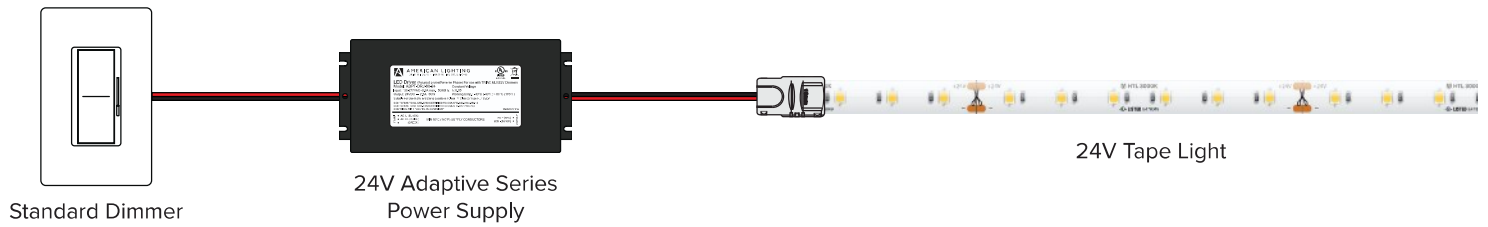


RECOMMENDED POWER SUPPLIES

ITEM NUMBER	DESCRIPTION	MAX / MIN LOAD	INPUT VOLTAGE	OUTPUT VOLTAGE	DIMMABLE	DIMENSIONS
PLX-ADPTDRJ24V-30	Adaptive Series 30W	30W / 3W	100-277V AC	24V DC	Yes*	6.49"L x 3.6"W x 1.02"H
PLX-ADPTDRJ24V-60	Adaptive Series 60W	60W / 6W	100-277V AC	24V DC	Yes*	7.4"L x 3.6"W x 1.02"H
PLX-ADPTDRJ24V-96	Adaptive Series 96W	96W / 9.6W	100-277V AC	24V DC	Yes*	8.66"L x 3.6"W x 1.61"H
PLX-ADPTDRJ24V-192	Adaptive Series 192W (2 x 96W)	192W / 19.2W	100-277V AC	24V DC	Yes*	10.94"L x 4.25"W x 1.8"H
PLX-ADPTDRJ24V-288	Adaptive Series 288W (3 x 96W)	288W / 28.8W	100-277V AC	24V DC	Yes*	11.85"L x 4.25"W x 1.8"H

Phase Dimming Compatible With Most MLV, ELV, and TRIAC Dimmers

HTL SERIES QUICK SET-UP



HTL SERIES CUT INCREMENT GUIDE

Segment	Length (MM)	Length (Inches)	Length (Feet)
1	100	3.94	0.33
2	200	7.88	0.66
3	300	11.82	0.99
4	400	15.76	1.31
5	500	19.7	1.64
6	600	23.64	1.97
7	700	27.58	2.30
8	800	31.52	2.63
9	900	35.46	2.96
10	1000	39.4	3.28
11	1100	43.34	3.61
12	1200	47.28	3.94
13	1300	51.22	4.27
14	1400	55.16	4.60
15	1500	59.1	4.93
16	1600	63.04	5.25
17	1700	66.98	5.58
18	1800	70.92	5.91
19	1900	74.86	6.24
20	2000	78.8	6.57
21	2100	82.74	6.90
22	2200	86.68	7.22
23	2300	90.62	7.55
24	2400	94.56	7.88
25	2500	98.5	8.21
26	2600	102.44	8.54
27	2700	106.38	8.87
28	2800	110.32	9.19
29	2900	114.26	9.52
30	3000	118.2	9.85
31	3100	122.14	10.18
32	3200	126.08	10.51
33	3300	130.02	10.84
34	3400	133.96	11.16
35	3500	137.9	11.49

Segment	Length (MM)	Length (Inches)	Length (Feet)
36	3600	141.84	11.82
37	3700	145.78	12.15
38	3800	149.72	12.48
39	3900	153.66	12.81
40	4000	157.6	13.13
41	4100	161.54	13.46
42	4200	165.48	13.79
43	4300	169.42	14.12
44	4400	173.36	14.45
45	4500	177.3	14.78
46	4600	181.24	15.10
47	4700	185.18	15.43
48	4800	189.12	15.76
49	4900	193.06	16.09
50	5000	197	16.42
51	5100	200.94	16.75
52	5200	204.88	17.07
53	5300	208.82	17.40
54	5400	212.76	17.73
55	5500	216.7	18.06
56	5600	220.64	18.39
57	5700	224.58	18.72
58	5800	228.52	19.04
59	5900	232.46	19.37
60	6000	236.4	19.70
61	6100	240.34	20.03
62	6200	244.28	20.36
63	6300	248.22	20.69
64	6400	252.16	21.01
65	6500	256.1	21.34
66	6600	260.04	21.67
67	6700	263.98	22.00

NEC CODE NOTES

2023 NEC CODE ARTICLE 410.16 LUMINAIRES IN CLOTHES CLOSETS

(A) Clothes Closet Storage Space

The clothes closet storage space shall be the volume bounded by the sides and back closet walls and planes extending from the closet floor vertically to a height of 1.8 m (6 ft) or to the highest clothes-hanging rod and parallel to the walls at a horizontal distance of 600 mm (24 in.) from the sides and back of the closet walls, respectively. The volume extends vertically to the closet ceiling parallel to the walls at a horizontal distance of 300 mm (12 in.) or the width of the shelf, whichever is greater. For a closet that permits access to both sides of a hanging rod, the clothes closet storage space includes the volume below the highest rod extending 300 mm (12 in.) on either side of the rod on a plane horizontal to the floor extending the entire length of the rod. See Figure 410.16(A).

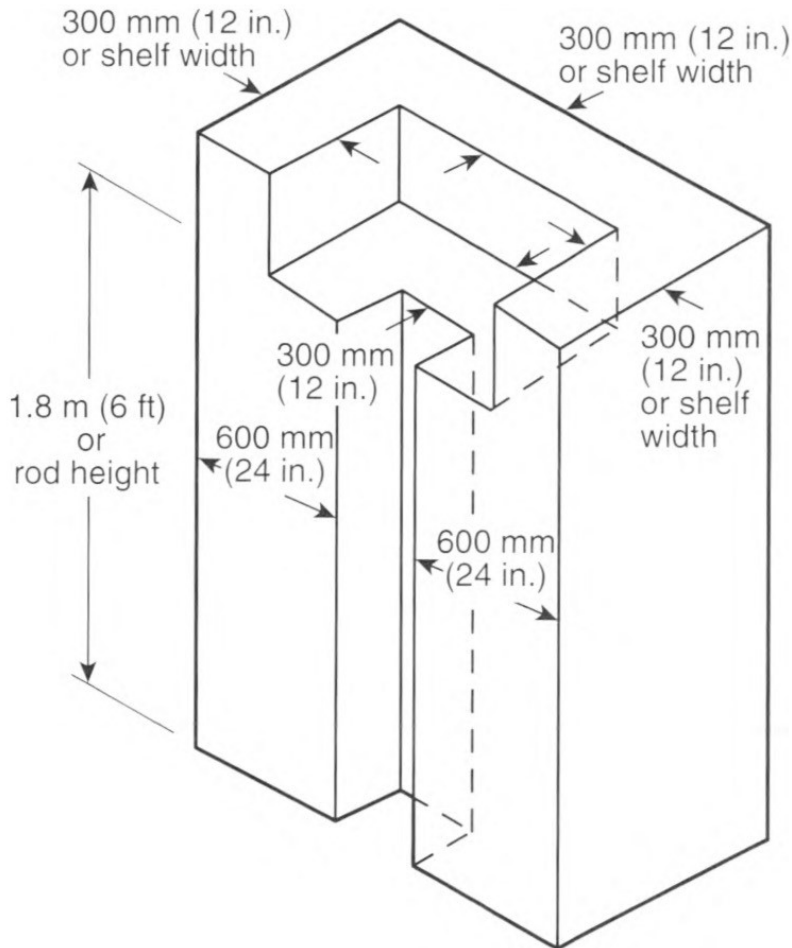


FIGURE 410.16(A) Clothes Closet Storage Space.

(B) Luminaire Types Permitted

Only luminaires of the following types shall be permitted in a clothes closet:

Surface-mounted or recessed incandescent or LED luminaires with completely enclosed light sources

Surface-mounted or recessed fluorescent luminaires

Surface-mounted fluorescent or LED luminaires identified as suitable for installation within the clothes closet storage space

(C) Luminaire Types Not Permitted

Incandescent luminaires with open or partially enclosed lamps and pendant luminaires or lampholders shall not be permitted.

(D) Location

The minimum clearance between luminaires installed in clothes closets and the nearest point of a clothes closet storage space shall be as follows:

300 mm (12 in.) for surface-mounted incandescent or LED luminaires with a completely enclosed light source installed on the wall above the door or on the ceiling.

150 mm (6 in.) for surface-mounted fluorescent luminaires installed on the wall above the door or on the ceiling.

150 mm (6 in.) for recessed incandescent or LED luminaires with a completely enclosed light source installed in the wall or the ceiling.

150 mm (6 in.) for recessed fluorescent luminaires installed in the wall or the ceiling.

Exception: Surface-mounted fluorescent or LED luminaires shall be permitted to be installed within the clothes closet storage space where identified for this use.



PROLUXE LIGHTING WARRANTY

LIMITED WARRANTY FOR LED PRODUCTS: 8 YEARS

LIMITED PRODUCT WARRANTY

Our products are warranted to be free from defects in material and workmanship for the warranty period listed. Warranty periods begin from the date of shipment from American Lighting Inc's warehouse to the original purchaser. Products that prove to be defective during their specific warranty period will be either repaired or replaced, at the sole discretion of American Lighting Inc. Claims for defective products must be submitted in writing to American Lighting Inc's RGA Department within the warranty period. Upon approval of such return, American Lighting Inc reserves the right to inspect the product for misuse or abuse. Claims for indirect or consequential damages or for product that, in American Lighting Inc's opinion, has been misused will be denied. This is a warranty of product reliability only and not a warranty of merchantability or fitness for a particular purpose. American Lighting Inc shall have no liability whatsoever in any event for payment of incidental or consequential damages, including, without limitations, installation costs and/or damages for personal injury and/or property. These products may represent a possible shock or fire hazard if improperly installed or altered in any way. This warranty does not apply to any product that has not been properly installed in accordance with current local codes and/or the National Electrical Code. Products that require a transformer, driver, or power supply must be used in conjunction with American Lighting Inc's recommended power supply to ensure safety and retain product warranty.

PRODUCT SPECIFICATIONS

For the latest product information, updates, instructions and details concerning specifications, colors, finishes, performance, installation and design, visit www.americanlighting.com. Color may vary from the color printed herein due to limitations in photographic and printing processes. American Lighting Inc. reserves the right to change product specifications without notice. Other product specifications such as color temperature, wavelength characteristics and lumen output are subject to production limitations and may vary.

LED technology is changing rapidly, and not all color temperatures and performance levels can be duplicated at a later time. Best practices include purchasing 10-15% more for a particular project on the same initial order where white LED color temperatures must be maintained over project and product life. Eventual product replacement should be considered at layout and design stages. Best practices also include testing connections and product performance prior to mounting and/or installing.

AVERAGE LIFE

Average incandescent lamp life, rated life and average life are terms used to describe the number of hours at which half of the lamps have failed. For LEDs, the hours of rated life specify the point where 70% of original lumen output is reached. Below this point, the effective life is over, however, the LED may still emit light. Individual results may vary with actual environmental conditions including, but not limited to, proper installation, ambient temperature and/or input voltage fluctuations.