

INSTRUCTION SHEET

PET-K-RD

BONDING KIT

THANK YOU

Thank you for purchasing the PET-K-RD Bonding Kit. Please read these instructions thoroughly before installing this product.

HARDWARE/ITEMS SUPPLIED


PARTS LIST


- Door bonding wire [12 Gauge Wire (1/4" ring terminal to male disconnect) 17"]
- Door bonding wire [12 Gauge Wire (#10 ring terminal to female disconnect) 4"]
- Locking Nut 10-32
- Flange Nut 1/4-20

QTY

(1) 

(1) 

(2) 

(1) 

INSTALLATION

Protective Earth Terminals (PET) are located on the bottom frame of the enclosure. These terminals are marked with the \oplus symbol. Enclosure accessory parts contain or are provided with bonding points for connection to the frame / PET. Protective earth and bonding connections shall be in accordance with Article 250 of the National Electric Code. When removing any bonded accessory for servicing the enclosure, make sure to disconnect the bonding terminal from the accessory. NOTE: The bonding terminal MUST be reconnected to the accessory when the part is replaced after servicing.

NOTE: The main protective earth conductor needs to be the first terminal placed on the PET and this terminal needs to be secured on its own with a nut. **(FIGURE A)**

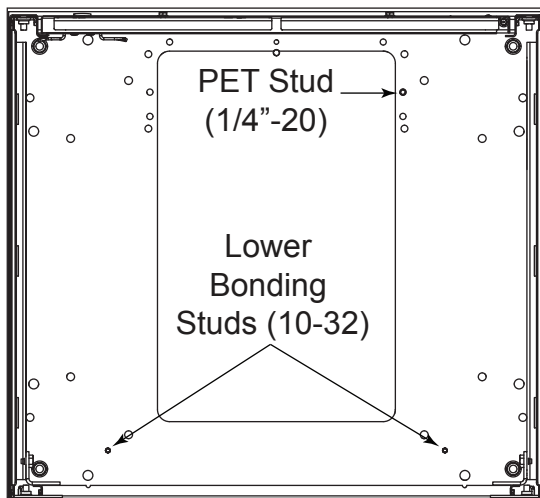


FIGURE A

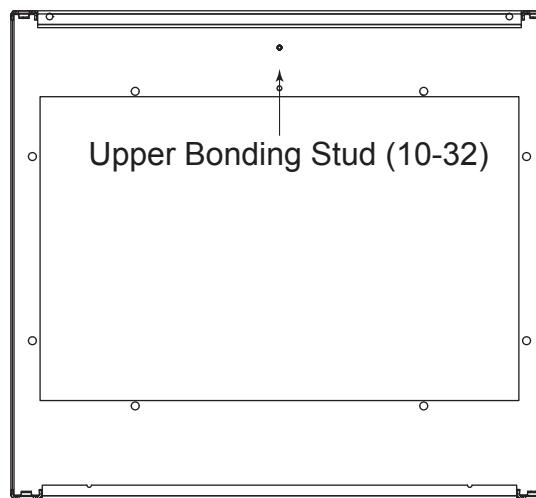


FIGURE B

INSTALLATION (Continued)

- 1) Attach small **Door Bonding Wire** (with female disconnect end) to 10-32 door bonding stud using 10-32 locking nut. **(FIGURE C)**
- 2) Attach remaining door bonding wire to nearest upper 10-32 bonding stud with 10-32 locking nut or lower 1/4-20 bonding stud with 1/4-20 flange nut. **(FIGURE A, B)**
- 3) Connect male and female ends of door bonding wire set.

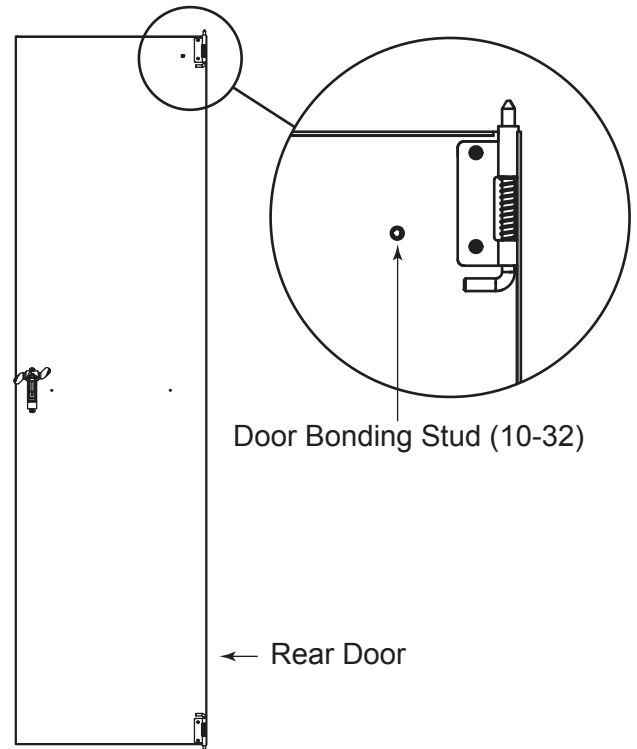


FIGURE C

WARRANTY

Middle Atlantic Products (the "Company") warrants the PET-K-RD Bonding Kit to be free from defects in material or workmanship under normal use and conditions for the lifetime of the product.

The Company's entire liability to the purchaser, and the purchaser's (or any other party's) sole and exclusive remedy, under this warranty shall be limited, at the Company's option, to either (a) return of and refund of the price paid for, or (b) repair or replacement at the Company's factory of the products purchased, or any part or parts thereof, which the Company has determined to be defective after inspection thereof at the Company's factory.

This warranty does not cover damage due to acts of God, accident, misuse, abuse or negligence by parties other than the Company, or any modification or alteration of the products. In addition, this warranty does not cover damage due to improper handling, assembly, installation or maintenance.

THIS WARRANTY IS IN LIEU OF ALL OTHER WARRANTIES OF ANY KIND, EITHER EXPRESSED OR IMPLIED, INCLUDING, BUT NOT LIMITED TO, IMPLIED WARRANTIES OF MERCHANTABILITY AND FITNESS FOR A PARTICULAR PURPOSE.

TO THE MAXIMUM EXTENT PERMITTED BY APPLICABLE LAW, IN NO EVENT SHALL THE COMPANY BE LIABLE FOR ANY SPECIAL, INCIDENTAL, INDIRECT, OR CONSEQUENTIAL DAMAGES WHATSOEVER (INCLUDING, WITHOUT LIMITATION, DAMAGES FOR LOSS OF BUSINESS PROFITS, BUSINESS INTERRUPTION OR ANY OTHER PECUNIARY LOSS) ARISING OUT OF THE USE OF THE PRODUCTS PURCHASED, EVEN IF THE COMPANY HAS BEEN ADVISED OF THE POSSIBILITY OF SUCH DAMAGES. THE COMPANY'S LIABILITY TO THE PURCHASER (OR ANY OTHER PARTY) HEREUNDER, IF ANY, SHALL IN NO EVENT EXCEED THE PURCHASE PRICE OF THE PRODUCTS PAID TO THE COMPANY.

Corporate Headquarters

Corporate Voice 973-839-1011 - Fax 973-839-1976 / International Voice +1 973-839-8821 - Fax +1 973-839-4982
middleatlantic.com - info@middleatlantic.com

Middle Atlantic Canada

Voice 613-836-2501 - Fax 613-836-2690 / middleatlantic.ca - customerservicecanada@middleatlantic.ca

Factory Distribution

USA: NJ - CA - IL Canada: ON - BC

At Middle Atlantic Products we are always listening. Your comments are welcome.

Middle Atlantic Products is an ISO 9001 and ISO 14001 Registered Company.