

# Maestro LED+ Dimmer

Dimmer for dimmable LED and CFL bulbs

## Features

- Large tapswitch with a rocker-style dimmer for a standard designer wallplate opening.
- Advanced dimming technology designed for compatibility with a broader range of high efficacy bulbs.
- UL Listed to control:
  - Dimmable LEDs
  - Dimmable compact fluorescent lamps (CFLs) with integrated ballast
  - Lutron LTEA Hi-lume 1% forward-phase LED driver
  - Halogen
  - Incandescent
- Low-end adjustment to accommodate a wide range of bulbs.
- No neutral required for retrofit applications.
- Tapswitch returns load to previous level.
- Can be used in single-pole, multi-location (using MA-R), or 3-way mechanical switch<sup>1</sup> applications.
- Coordinating Claro and stainless steel wallplates available separately.
- 100% factory tested.
- NEMA SSL-7A Compliant.
- Formerly C•L.



Wallplate sold separately

## Model Number

- MACL-153M-XX**<sup>2,3</sup> Single-pole/3-way<sup>1</sup> / Multi-location<sup>4</sup>
- MACL-153MH-XX-C**<sup>2,5</sup> Single-pole/3-way<sup>1</sup> / Multi-location<sup>4</sup>

## Packages

- MACL-153M-RHW-XX**<sup>2,6</sup> includes: 1 MACL-153M-XX, 1 MA-R-XX, and 2 CW-1-XX.
- MACL-153MRHW-XXC**<sup>2,5</sup> includes: 1 MACL-153M-XX, 1 MA-R-XX, and 2 CW-1-XX.

## Product Specific Features

- Capable of controlling up to 150 W dimmable LED/CFL or 600 W incandescent/halogen or mixed bulb type per **Multigang and Mixed Bulb Type Ratings** table (see page 3).

### Notes:

<sup>1</sup> An additional wiring and programming step is required for 3-way mechanical switch applications. Not for use in 4-way mechanical switch applications.  
<sup>2</sup> "XX" Color codes, see section "Colors and Finishes" on the next page.  
<sup>3</sup> For clamshell packaging add "H" after "153M". Not available in BR or GR.  
<sup>4</sup> For 3-way and 4-way dimming, use Maestro companion dimmers.  
<sup>5</sup> Clamshell packaged product for Canada. Not available in BR or GR.  
<sup>6</sup> Clamshell packaged product. Not available in BR or GR.

Job Name:	Model Numbers:
Job Number:	

## Specifications

### Regulatory Approvals

- UL Listed to U.S. and Canadian safety requirements (UL 1472 / CSA C22.2 184.1)
- NOM

### Power and Ratings

- 120 V~ 60 Hz
- Maximum Load
  - 150 W dimmable LED/CFL
  - or**
  - 600 W incandescent/halogen
  - or**
  - Mixed bulb type per **Multigang and Mixed Bulb Type Ratings** table (see page 3)

- Minimum Load
  - 250 W Lutron LTEA Hi-lume 1% forward-phase LED driver (6 max.)
- Minimum Load
  - See approved lamp list for LED/CFL
  - or**
  - 40 W incandescent/halogen

### Environment

- For indoor use only
- Operating temperatures 32 °F (0 °C) to 104 °F (40 °C)

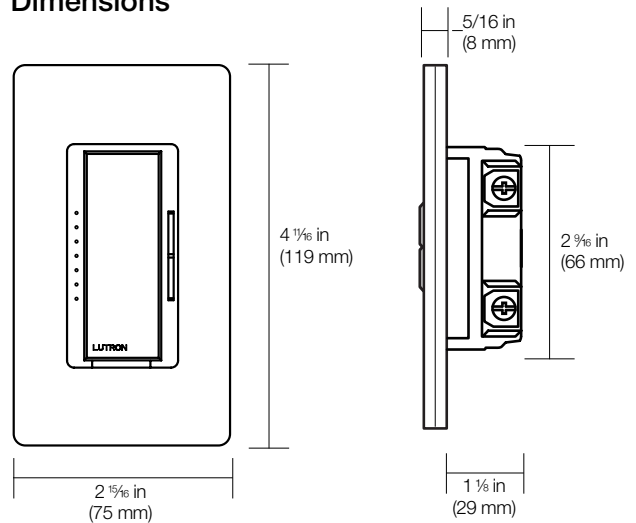
### Performance

- Power-failure memory
- Raise/lower rocker
- Electrostatic discharge tested
- Precise color matching
- Includes a Front Accessible Service Switch (FASS) for safe bulb replacement

### Application Requirements

- **When using LEDs or CFLs, only bulbs marked or rated as DIMMABLE can be used.**
- For a complete list of approved LEDs visit [www.lutron.com/LEDfinder](http://www.lutron.com/LEDfinder)

### Dimensions



**Note:** Requires a U.S. wallbox 2 1/4 in (57 mm) deep minimum.

### Warranty

- 1 Year Limited Warranty  
For additional Warranty information, please visit [www.lutron.com/TechnicalDocumentLibrary/369-119\\_Wallbox\\_Warranty.pdf](http://www.lutron.com/TechnicalDocumentLibrary/369-119_Wallbox_Warranty.pdf)

### Colors and Finishes

#### Gloss Finishes

WH	White	IV	Ivory
AL	Almond	LA	Light Almond
GR	Gray	BR	Brown
BL	Black		




#### Satin Finishes

SW	Snow	MN	Midnight
TP	Taupe	BI	Biscuit
PD	Palladium	HT	Hot

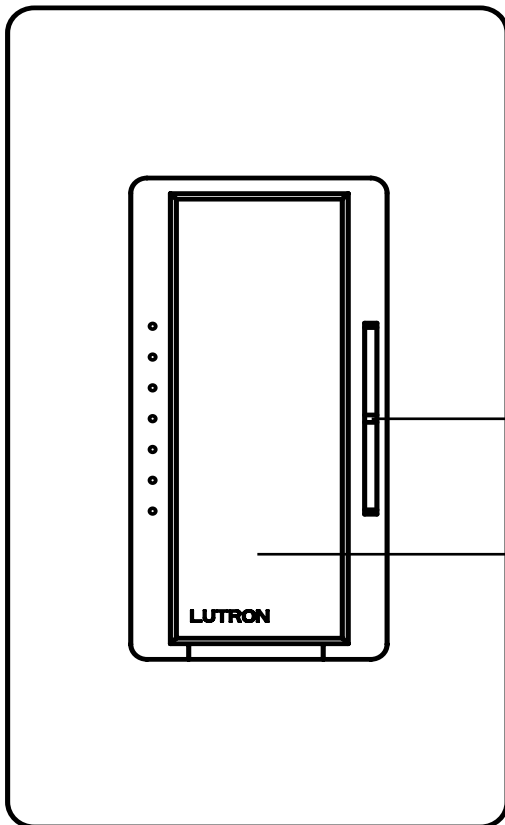
For the latest color offerings please see our website: <http://www.lutron.com/satincolors>

<b>Job Name:</b>	<b>Model Numbers:</b>
<b>Job Number:</b>	

### Multigang and Mixed-Bulb-Type Ratings

Total LED•CFL Wattage Installed (Watts per bulb X # of bulbs)	  LED CFL	Maximum Allowable Incandescent / Halogen Wattage		
		 INC/HAL		
		No sides removed	1 side removed	2 sides removed
0 W	+	600 W	500 W	400 W
1 W – 25 W	+	500 W	400 W	300 W
26 W – 50 W	+	400 W	300 W	200 W
51 W – 75 W	+	300 W	200 W	100 W
76 W – 100 W	+	200 W	100 W	50 W
101 W – 125 W	+	100 W	50 W	0 W
126 W – 150 W	+	0 W	0 W	0 W

### Operation



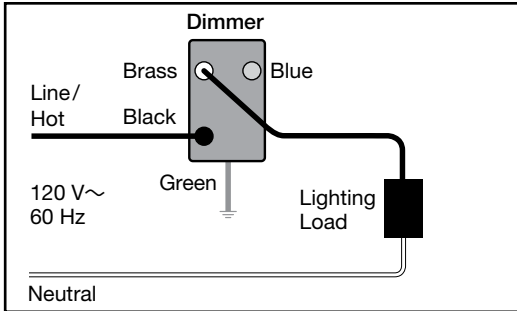
**Raise / Lower Rocker**  
 - Press rocker to adjust light level

**Tapswitch**  
 - Tap on to favorite level  
 - Tap off  
 - Tap twice for full on  
 - Press, hold and release for gradual fade-to-off

Job Name:	Model Numbers:
Job Number:	

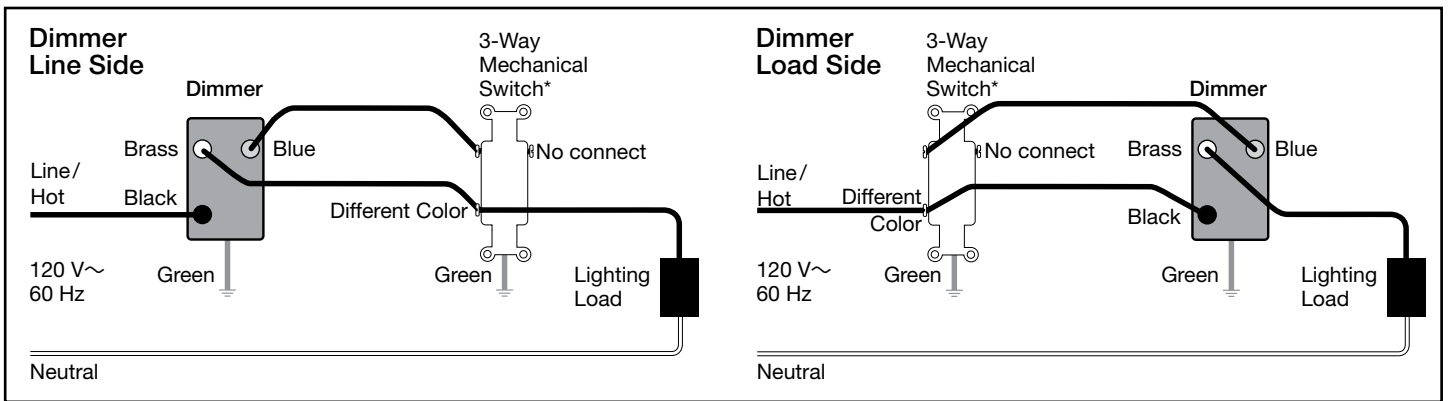
# Wiring Diagrams

## Single-Pole Wiring



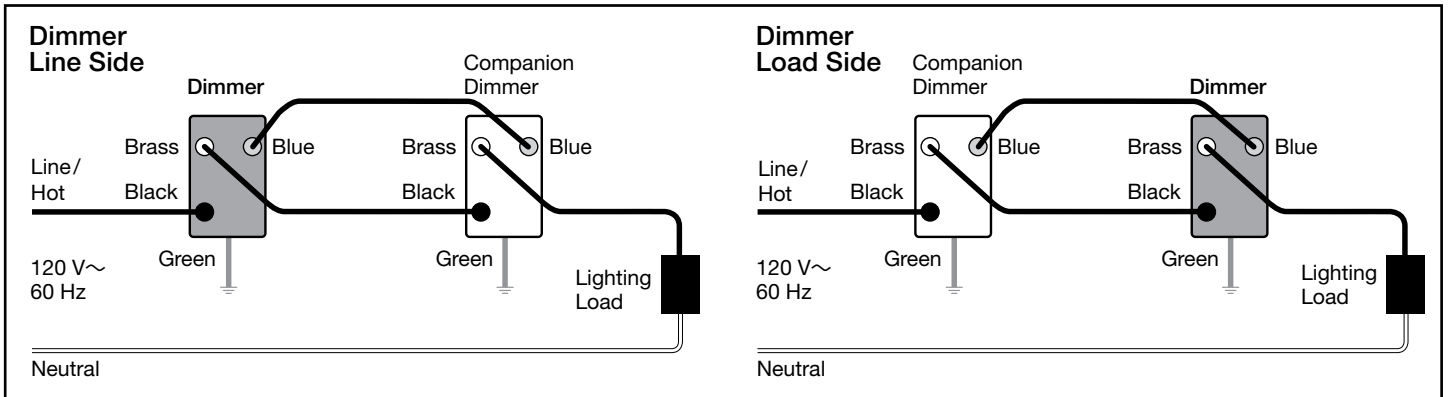
**Note:** Dimmer can be installed on the line side or load side of the circuit.

## 3-Way Wiring (Using 3-Way Mechanical Switch)



\*Note: Screw terminal positions on 3-way mechanical switches may vary.

## 3-Way Wiring (Using MA-R Companion Dimmer)

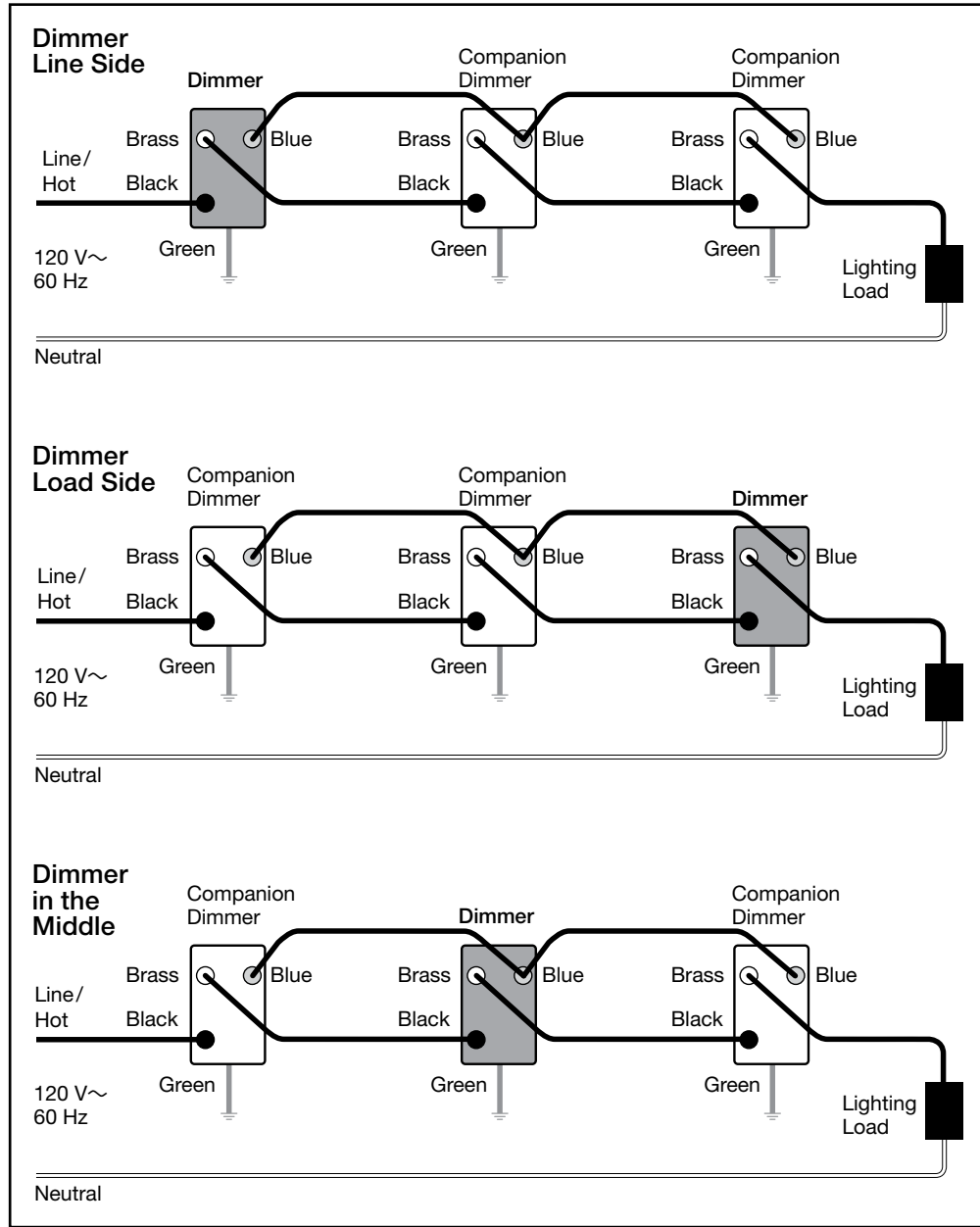


Continued on next page...

Job Name:	Model Numbers:
Job Number:	

### Wiring Diagrams (continued)

#### 4-Way Wiring (Using MA-R Companion Dimmer)



**Note:** Dimmer can be installed on the line side, load side, or in the middle of the circuit.

Lutron, the Lutron logo, Maestro, Hi-lume, LED+, C•L, Claro, and FASS are trademarks or registered trademarks of Lutron Electronics Co., Inc. in the US and/or other countries. All other product names, logos, and brands are property of their respective owners.

Job Name:	Model Numbers:
Job Number:	