



\* All images in this document are for illustrative purposes only.

## Commercial TV UK670H Series

- Commercial Lite
- Pro:Centric Enhanced
- Pro:Centric Smart**



# 4K Ultra HD Pro:Centric<sup>®</sup> Smart NanoCell Hospitality TV



Nano TV



Netflix<sup>®</sup>



Pro:Centric Solutions



LG Channels<sup>®</sup>



Works with Apple AirPlay



Google Cast

UK670H Series		86UK670H0UD, 65UK670H0UG 55/50/43UK670H0UA
Design	Stand Type	1 Pole Fixed: 86" / 65" 1 Pole Swivel: 55" / 50" / 43"
	Sizes	86" / 65" / 55" / 50" / 43"
Display	Resolution	4K Ultra HD (3,840 × 2,160)
	Digital	ATSC / Clear QAM
Broadcasting System	Analog	NTSC
	IPTV	Multicast/Unicast IPTV capable
VESA		86": 400 × 400 mm
		65", 55": 300 × 300 mm
		50", 43": 200 × 200 mm



## Nano Panel

Experience the revolutionary technology of NanoCell, which uses a specialized polarizer and non-sized materials to achieve exceptional color reproduction without distortion. Advanced nano technology filters out impure colors from RGB wavelengths, delivering vibrant, pure colors and true 4K visuals. Enjoy lifelike imagery with precise colors and enhanced contrast. By utilizing nano-sized light-absorbing materials, NanoCell separates overlapping green and red wavelengths, expanding the color gamut. Elevate your viewing experience and watch your favorite content come to life!



## LG Hotel TV works with Google Cast™

Enjoy quick access to your personal devices with a convenient QR code on LG Hotel TV for streaming your favorite OTT shows on the big screen, and experience secure checkout with automatic erasure of personal information for peace of mind. Plus, with persisted pairing, connect your devices once and stay linked throughout your entire stay!



## Works with AirPlay®

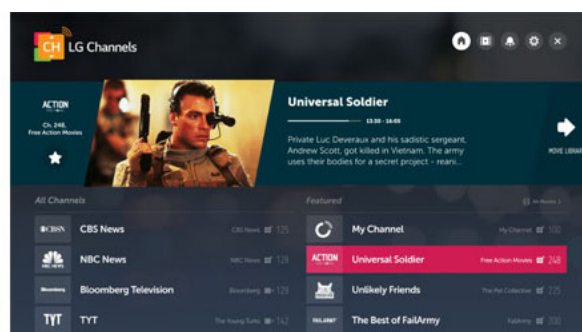
With Apple AirPlay, guests can stream content to LG Pro:Centric Smart Hotel TVs, right from their iPhone or iPad, whether it's to watch movies and shows from their favorite apps or share what's on their Apple devices, including photos, personal videos, games and more. Guests simply scan a unique, on-screen QR code after checking in to privately and securely pair their iPhone or iPad directly to the TV in the room for the duration of their stay.



## Netflix and Other Favorite Apps at Your Fingertips

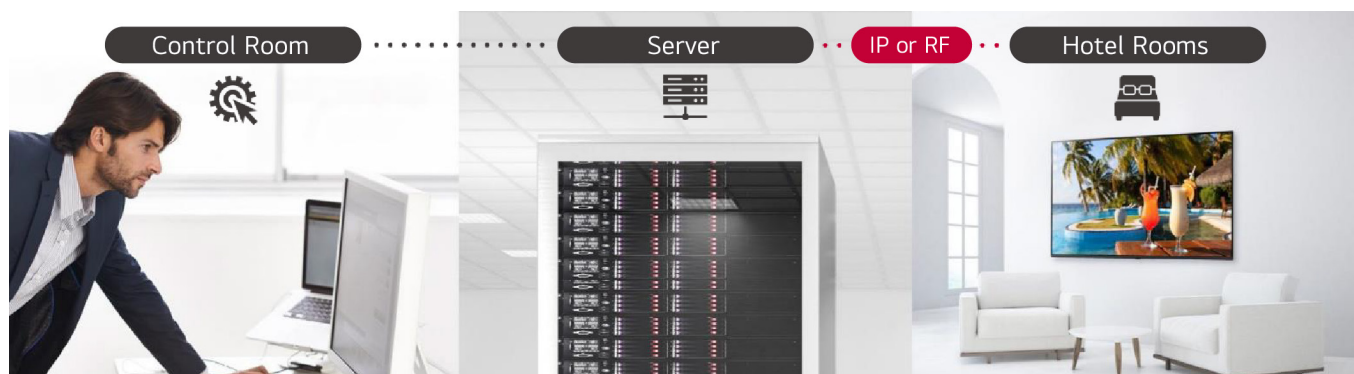
Stream your favorite shows and movies, including Netflix, Prime Video™, HBO Max®, YouTube™, and more, right from your guestroom TV. Relax and enjoy a wide range of entertainment, just as you would at home.\*

\* Streaming services typically require their own paid memberships.



## LG Channels - No cost. No contract. No cables.

Plus, no extra hardware, no login, no subscription, and no hidden fees. With its carefully curated lineup of over 95 live channels, movies and TV shows, LG Channels allows your guests to easily search, discover, and enjoy their favorite content old and new. In addition to LG Channels, the UK670H is compatible with other free-to-guest channel services, providing thousands of movie and TV options for guests.



## Pro:Centric Direct

The Pro:Centric Direct hotel content management solution offers simple editing tools, making it easy to perform service and IP network-based remote management with a single click. Pro:Centric Direct enables users to customize their interface easily and efficiently manage all TVs in the facility. The most recent version provides IoT-based in-room control as well as voice control through LG Natural Language Processing.\*

\* Some non-LG equipment may be needed for certain IoT applications. Some features may not be supported on all Pro:Centric Direct versions. Magic Motion Remote required for voice control.



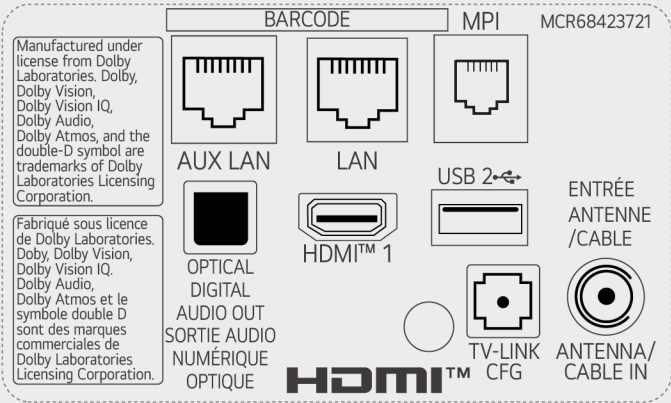
**SoftAP**

An advancement from the previous model, which required a physical wired connection to TV to use the SoftAP feature, the new Wireless-In SoftAP offers excellent connectivity options for the hotels by wireless connection to TV.

**CONNECTIVITY**

86" / 65" / 55" / 50" / 43"

Rear

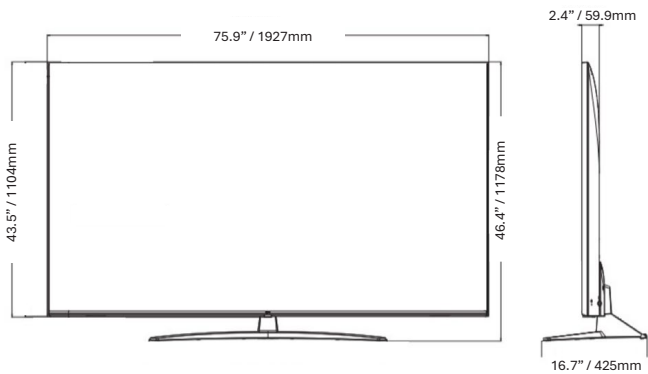


Side

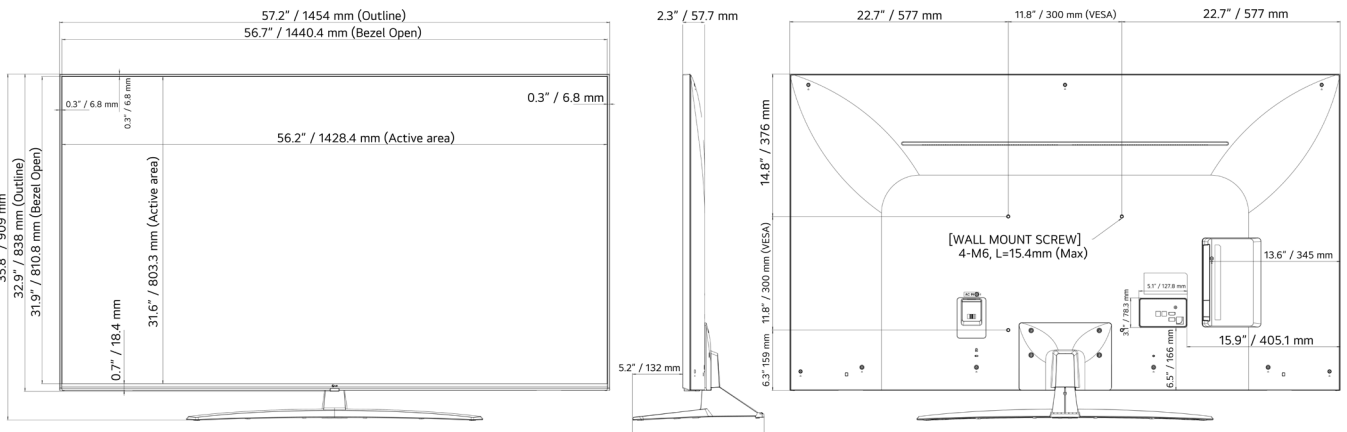


# DIMENSIONED DRAWINGS

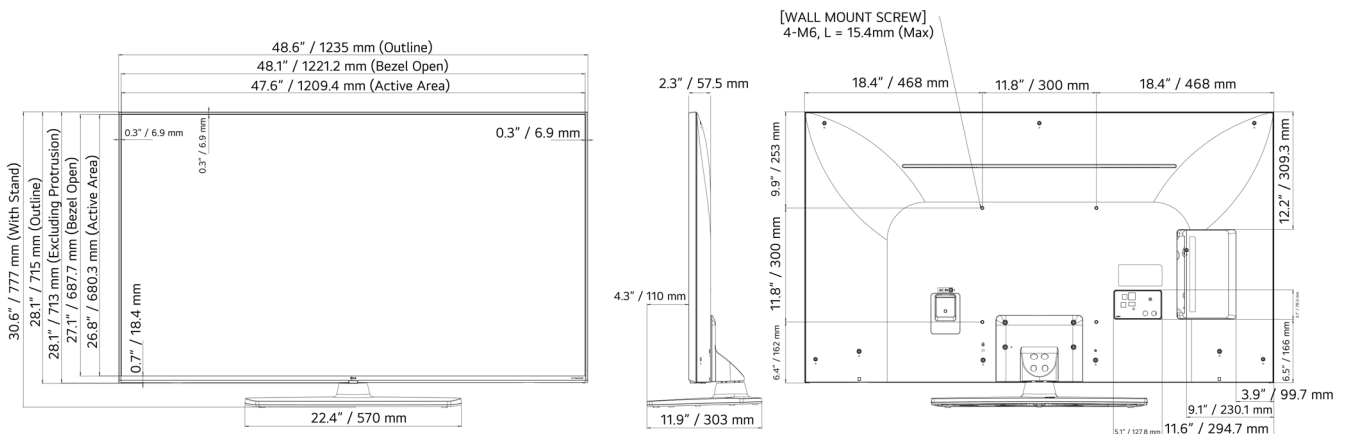
## 86"



## 65"

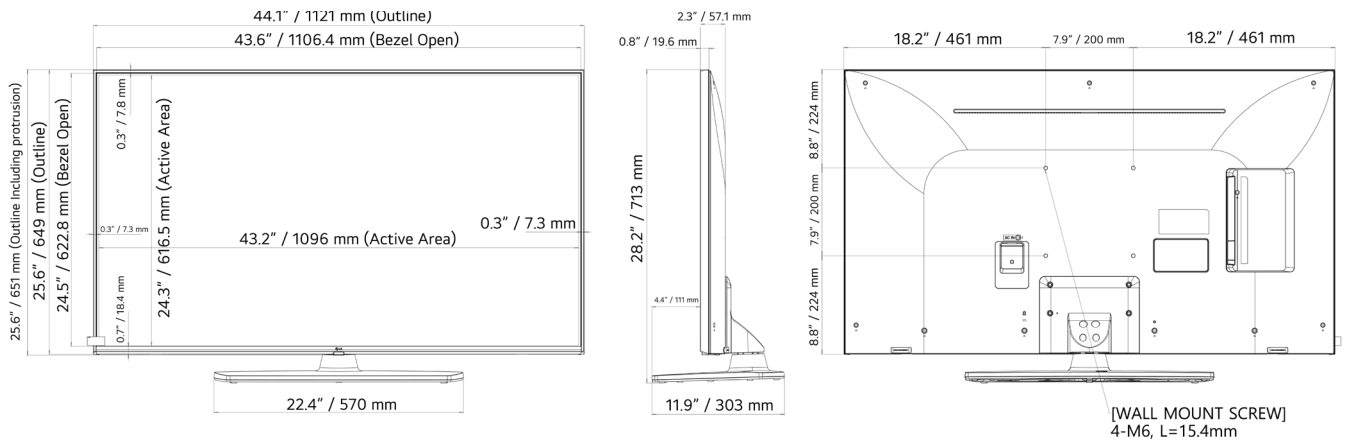


## 55"

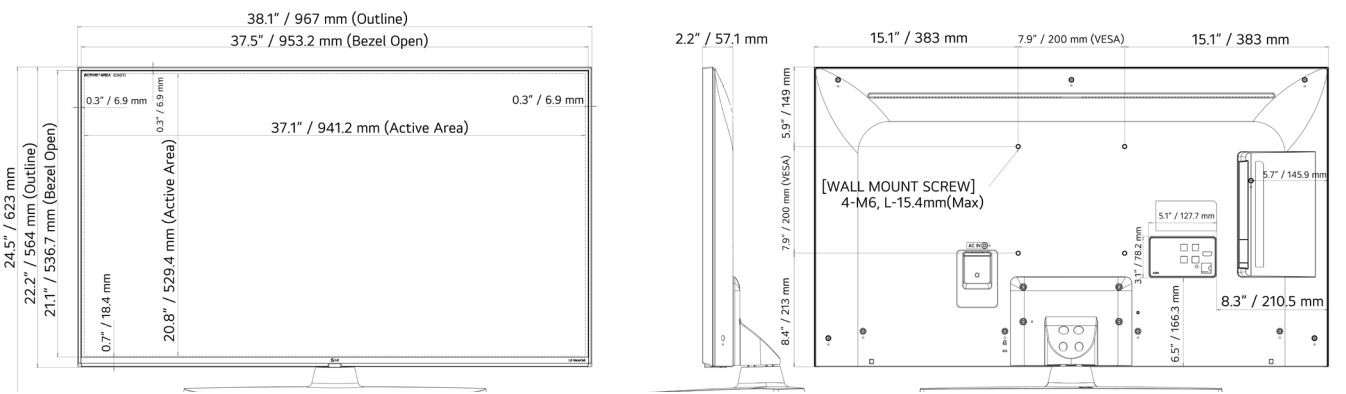


# DIMENSIONED DRAWINGS

## 50"



## 43"



# SPECIFICATIONS

		86UK670H0UD	65UK670H0UG	55UK670H0UA	50UK670H0UA	43UK670H0UA
DISPLAY	Category	Pro:Centric Smart	Pro:Centric Smart	Pro:Centric Smart	Pro:Centric Smart	Pro:Centric Smart
	Size	86"	65"	55"	50"	43"
	Resolution	4K Ultra HD (3,840 x 2,160)	4K Ultra HD (3,840 x 2,160)	4K Ultra HD (3,840 x 2,160)	4K Ultra HD (3,840 x 2,160)	4K Ultra HD (3,840 x 2,160)
	Brightness (Typ.)	285 nits	305 nits	305 nits	330 nits	245 nits
VIDEO	AI Picture Pro	YES	YES	YES	YES	YES
	HDR_HDR 10 Pro	YES	YES	YES	YES	YES
	HDR_HLG (Hybrid Log Gamma)	YES	YES	YES	YES	YES
	Game Optimizer	YES	YES	YES	YES	YES
AUDIO	Speakers	20W	20W	20W	20W	20W
	AI Sound	YES	YES	YES	YES	YES
	AI Acoustic Tuning	YES (Ready, MMR Required)	YES (Ready, MMR Required)	YES (Ready, MMR Required)	YES (Ready, MMR Required)	YES (Ready, MMR Required)
	LG Sound Sync	YES	YES	YES	YES	YES
BROADCASTING SYSTEM	Digital	ATSC / Clear QAM	ATSC / Clear QAM	ATSC / Clear QAM	ATSC / Clear QAM	ATSC / Clear QAM
	Analog	NTSC	NTSC	NTSC	NTSC	NTSC
	Multicast/Unicast IPTV capable	YES	YES	YES	YES	YES
HOSPITALITY SOLUTION	Solution Type	Pro:Centric (Smart, Cloud, Direct, V), webRTC	Pro:Centric (Smart, Cloud, Direct, V), webRTC	Pro:Centric (Smart, Cloud, Direct, V), webRTC	Pro:Centric (Smart, Cloud, Direct, V), webRTC	Pro:Centric (Smart, Cloud, Direct, V), webRTC
	Pro:Idiom (DRM / Media)	YES / YES	YES / YES	YES / YES	YES / YES	YES / YES
SMART FEATURES	webOS version	webOS 25	webOS 25	webOS 25	webOS 25	webOS 25
	Web Browser	YES	YES	YES	YES	YES
	Magic Remote Compatibility	YES (Ready)	YES (Ready)	YES (Ready)	YES (Ready)	YES (Ready)
	Multi-View	YES	YES	YES	YES	YES
	Wi-Fi	YES	YES	YES	YES	YES
	Bluetooth	YES	YES	YES	YES	YES
	Soft AP	YES	YES	YES	YES	YES
	Screen Share	YES	YES	YES	YES	YES
	DIAL	YES	YES	YES	YES	YES
	Bluetooth Audio Playback	YES	YES	YES	YES	YES
	HDMI eARC/ARC	YES (HDMI2)	YES (HDMI2)	YES (HDMI2)	YES (HDMI2)	YES (HDMI2)
	Voice Recognition (Standalone/Solution)	YES	YES	YES	YES	YES
	IoT	YES	YES	YES	YES	YES
	HOSPITALITY FEATURES	EZ-Manager	YES	YES	YES	YES
USB Cloning		YES	YES	YES	YES	YES
Wake on RF		YES	YES	YES	YES	YES
WOL		YES	YES	YES	YES	YES
Diagnostics		YES (IP Remote)	YES (IP Remote)	YES (IP Remote)	YES (IP Remote)	YES (IP Remote)
HTNG-CEC (Version)		YES (1.4)	YES (1.4)	YES (1.4)	YES (1.4)	YES (1.4)
Simplink (HDMI-CEC) (Version)		YES (1.4)	YES (1.4)	YES (1.4)	YES (1.4)	YES (1.4)
IR Out		YES (RS-232C, MPI)	YES (RS-232C, MPI)	YES (RS-232C, MPI)	YES (RS-232C, MPI)	YES (RS-232C, MPI)
Multi-code IR		YES	YES	YES	YES	YES
Installer Menu		YES	YES	YES	YES	YES
Welcome Screen (Splash Image)		YES	YES	YES	YES	YES
Insert Image		YES	YES	YES	YES	YES
One Channel Map		YES (LCM)	YES (LCM)	YES (LCM)	YES (LCM)	YES (LCM)
External Speaker Out / Line Out		YES / YES	YES / YES	YES / YES	YES / YES	YES / YES
Instant ON		YES	YES	YES	YES	YES
V-LAN ID		YES	YES	YES	YES	YES
Mobile Remote		YES	YES	YES	YES	YES
Port Block		YES	YES	YES	YES	YES
Lock mode		YES (Limited)	YES (Limited)	YES (Limited)	YES (Limited)	YES (Limited)
RJP (Remote Jack Pack) Compatibility		YES	YES	YES	YES	YES
b-LAN		YES (Single b-LAN)	YES (Single b-LAN)	YES (Single b-LAN)	YES (Single b-LAN)	YES (Single b-LAN)
Energy Saving mode		YES	YES	YES	YES	YES
BEACON		YES	YES	YES	YES	YES
Video Tag		YES (2 Video)	YES (2 Video)	YES (2 Video)	YES (2 Video)	YES (2 Video)

	86UK670H0UD	65UK670H0UG	55UK670H0UA	50UK670H0UA	43UK670H0UA	
CONNECTIVITY	<b>Rear</b>					
	LAN (RJ45) (Usage Purpose)	YES (x2) (Ethernet, Aux)	YES (x2) (Ethernet, Aux)	YES (x2) (Ethernet, Aux)	YES (x2) (Ethernet, Aux)	YES (x2) (Ethernet, Aux)
	MPI (RJ12)	YES	YES	YES	YES	YES
	Optical Digital Audio Out	YES	YES	YES	YES	YES
	HDMI In	Yes (HDMI 1)	Yes (HDMI 1)	Yes (HDMI 1)	Yes (HDMI 1)	Yes (HDMI 1)
	USB 2.0	YES (USB 2)	YES (USB 2)	YES (USB 2)	YES (USB 2)	YES (USB 2)
	TV-Link CFG	YES (3.5mm TRS)	YES (3.5mm TRS)	YES (3.5mm TRS)	YES (3.5mm TRS)	YES (3.5mm TRS)
	Antenna/Cable In (Coax)	YES	YES	YES	YES	YES
	<b>Side</b>					
	HDMI In	YES (HDMI 2, HDMI 3)	YES (HDMI 2, HDMI 3)	YES (HDMI 2, HDMI 3)	YES (HDMI 2, HDMI 3)	YES (HDMI 2, HDMI 3)
	Service Only	YES (3.5mm TRS)	YES (3.5mm TRS)	YES (3.5mm TRS)	YES (3.5mm TRS)	YES (3.5mm TRS)
	USB 2.0	YES (USB 1)	YES (USB 1)	YES (USB 1)	YES (USB 1)	YES (USB 1)
	RS-232C (Control & Service)	YES (3.5mm TRRS)	YES (3.5mm TRRS)	YES (3.5mm TRRS)	YES (3.5mm TRRS)	YES (3.5mm TRRS)
	External Speaker Out / Line Out	Yes (Stereo)	Yes (Stereo)	Yes (Stereo)	Yes (Stereo)	Yes (Stereo)
MECHANICAL	Stand Type	1 Pole (Fixed)	1 Pole (Fixed)	1 Pole (Swivel)	1 Pole (Swivel)	1 Pole (Swivel)
	Front Color	Charcoal Black	Charcoal Black	Charcoal Black	Charcoal Black	Charcoal Black
	VESA Compatible	400 x 400 mm	300 x 300 mm	300 x 300 mm	200 x 200 mm	200 x 200 mm
	Kensington Lock	YES	YES	YES	YES	YES
	Credenza/Security Aperture	NO	NO	YES (Stand Required)	YES (Stand Required)	YES (Stand Required)
	Security Lock Down Plate	NO	NO	YES (Stand Required)	YES (Stand Required)	YES (Stand Required)
	Dimensions with Stand (W x H x D)	75.9 x 46.4 x 16.7 in. 1927 x 1178 x 425 mm	57.2 x 35.8 x 13.4 in. 1454 x 909 x 340 mm	48.6 x 30.6 x 11.9 in. 1235 x 777 x 303 mm	44.1 x 28.1 x 11.9 in. 1121 x 713 x 303 mm	38.1 x 24.5 x 11.9 in. 967 x 623 x 303 mm
	Dimensions without Stand (W x H x D)	75.9 x 43.5 x 2.4 in. 1927 x 1104 x 59.9 mm	57.2 x 33.0 x 2.3 in. 1454 x 838 x 57.7 mm	48.6 x 28.1 x 2.3 in. 1235 x 715 x 57.5 mm	44.1 x 25.6 x 2.2 in. 1121 x 651 x 57.1 mm	38.1 x 22.2 x 2.2 in. 967 x 564 x 57.1 mm
	Shipping Dimensions (W x H x D)	83.3 x 47.9 x 11.2 in. 2116 x 1217 x 285 mm	63.0 x 38.2 x 6.8 in. 1600 x 970 x 172 mm	53.5 x 31.9 x 6.4 in. 1360 x 810 x 162 mm	47.8 x 30.5 x 6.0 in. 1215 x 775 x 152 mm	41.5 x 26.0 x 5.6 in. 1055 x 660 x 142 mm
	On-Bezel Width (L / R / T / B)	15.9 / 15.9 / 15.9 / 19.9 mm	12.8 / 12.8 / 12.8 / 19.9 mm	12.8 / 12.8 / 12.8 / 19.9 mm	12.8 / 12.8 / 12.8 / 19.9 mm	12.8 / 12.8 / 12.8 / 19.9 mm
	Off-Bezel Width (L / R / T / B)	6.9 / 6.9 / 6.9 / 18.4 mm	6.9 / 6.9 / 6.9 / 18.4 mm	6.9 / 6.9 / 6.9 / 18.4 mm	7.3 / 7.3 / 7.8 / 18.4 mm	6.9 / 6.9 / 6.9 / 18.4 mm
	Weight with Stand	TBD	50.5 lbs. / 22.9 kg	37.9 lbs. / 17.2 kg	33.7 lbs. / 15.3 kg	26.5 lbs. / 12.0 kg
	Weight without Stand	TBD	47.4 lbs. / 21.5 kg	30.9 lbs. / 14.0 kg	26.7 lbs. / 12.1 kg	19.4 lbs. / 8.8 kg
	Shipping Weight	137.6 lbs. / 62.4 kg	63.7 lbs. / 28.9 kg	49.2 lbs. / 22.3 kg	41.0 lbs. / 18.6 kg	34.0 lbs. / 15.4 kg
ELECTRICAL	Power Supply	120 Vac, 50/60 Hz	120 Vac, 50/60 Hz	120 Vac, 50/60 Hz	120 Vac, 50/60 Hz	120 Vac, 50/60 Hz
	Max Power Consumption	TBD	190 W	160 W	135 W	110 W
	Typical Power Consumption	TBD	155 W	130 W	110 W	91.5 W
	Standby Power Consumption	Less than 0.5 W	Less than 0.5 W	Less than 0.5 W	Less than 0.5 W	Less than 0.5 W
WARRANTY & OTHER	Warranty	3 Year Limited	3 Year Limited	3 Year Limited	3 Year Limited	3 Year Limited
	UPC	1 95174 12485 7	1 95174 12484 0	1 95174 12482 6	1 95174 12479 6	1 95174 12476 5
	Regulatory	FCC	FCC	FCC	FCC	FCC
	Remote Control Type	S-Con / MMR (Optional)	S-Con / MMR (Optional)	S-Con / MMR (Optional)	S-Con / MMR (Optional)	S-Con / MMR (Optional)
	Power Cable	YES (1.8M / Straight Type)	YES (1.8M / Straight Type)	YES (1.8M / Straight Type)	YES (1.8M / Straight Type)	YES (1.8M / Straight Type)

\* Specifications are subject to change without notice. Please make sure to check the product manual for details about product usage.