

WML

Long Camera Wall Mount with Back Box



- Aluminum Alloy Material with Surface Spray Treatment
- Waterproof Design

NOTES:

Pay attention to color matching.

Install bracket on a flat wall.

The wall must be capable of supporting over three times as much as the total weight of the camera and the mount.

Maximum load capacity of the bracket is 50 kg.

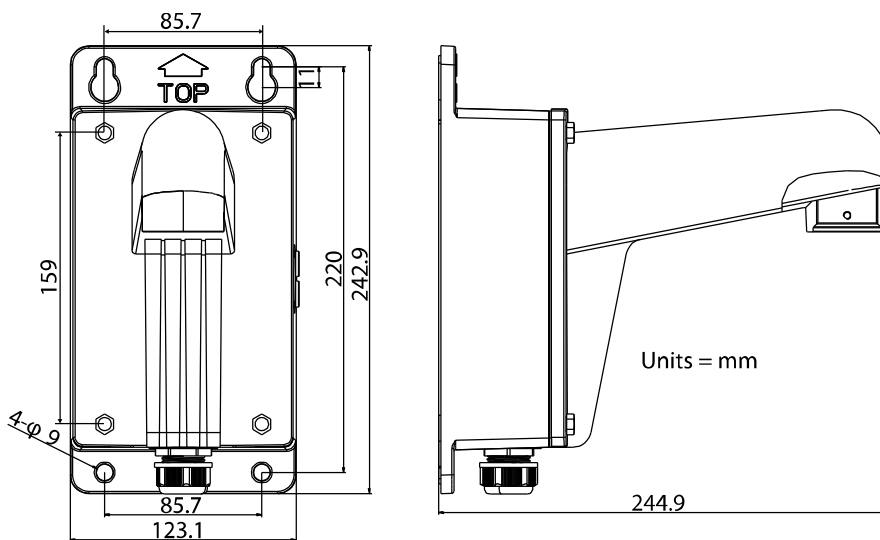
Order Model:

WML

Specifications

	WML
Appearance	Hikvision white
Range of Application	Suitable for various pendant caps
Material	Aluminum alloy
Dimensions	242.9 mm x 123.1 mm x 244.9 mm (9.56" x 4.85" x 9.64")
Weight	1428 g (3.15 lbs)

Dimensions



NOTE: The actual bracket may vary from the picture above.