

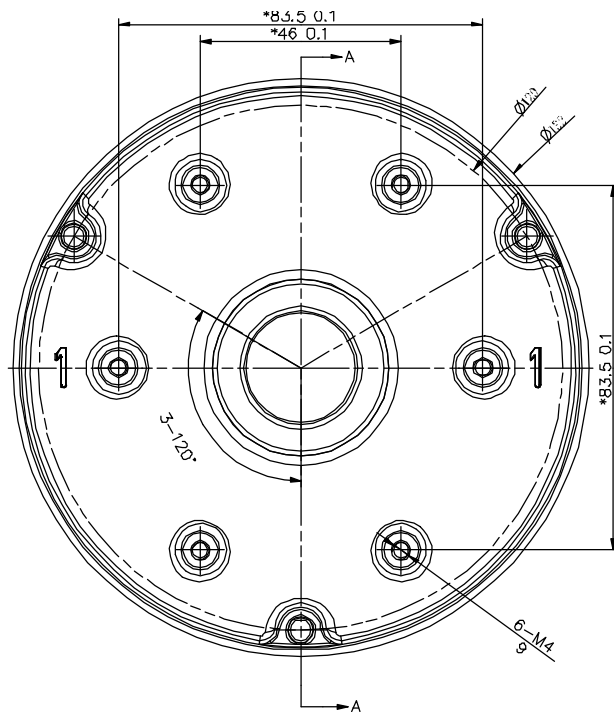
PC130T(B) Pendant Cap



- Aluminum Alloy Material with Surface Spray Treatment
- Waterproof Design

Dimensions

NOTE: The actual bracket may vary from the picture above.



	PC130T	PC130T(B)
Appearance	Hikvision white	Black
Range of Application	Pendant cap	
Material	Aluminum alloy	
Dimension	132 mm x 62 mm (5.2" x 2.4")	
Weight	190 g (6.7 ozs)	

Order Model

PC130T: Hikvision white

PC130TB: Black

NOTES: Pay attention to color matching.

