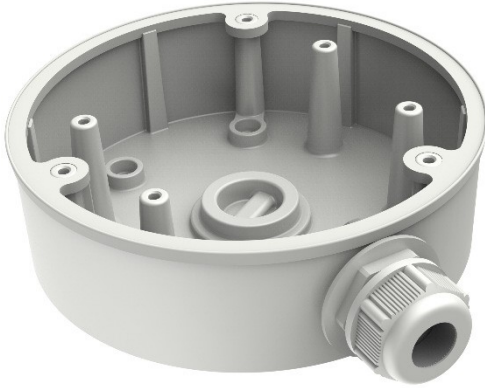


CB140PT

Conduit Base



The bracket should be installed on a flat wall. The wall must be capable of supporting a minimum of three times the total weight of the camera and mount. The maximum load capacity of the bracket is 9.92 lbs (4.5 kg).

Available Model: CB140PT

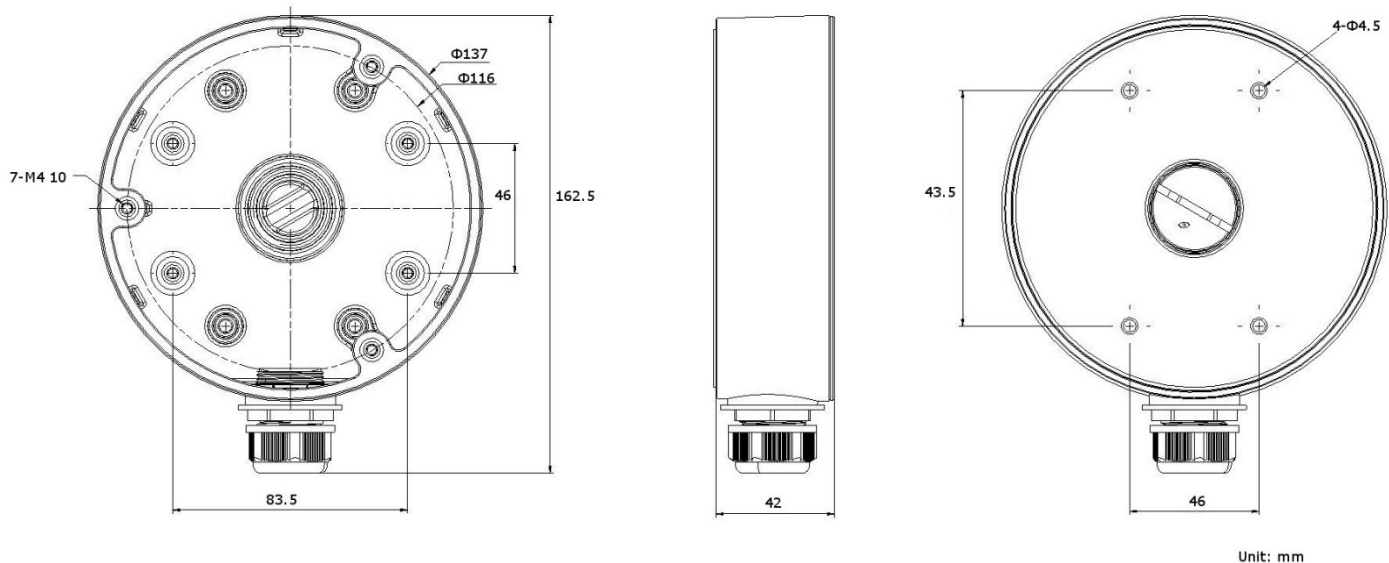
NOTE: See special installation instructions for select cameras on next page.

- Aluminum Alloy Material with Surface Spray Treatment
- Waterproof Design
- Bracket Cable Hole for Simple Cable Fitting

Specifications

	CB140PT
Appearance	Hikvision white
Material	Aluminum alloy
Dimensions	Ø5.39" x 2.03" (Ø137 mm x 51.5 mm)
Weight	1.16 lbs (527 g)

Dimensions



Special Installation Instructions for Select Cameras

Some cameras require the following steps to install a CB140PT.

1. Twist to remove trim ring from camera mounting base.
2. Loosen the pressure clamp locking screw on the mounting base.
3. Slide pressure clamp away from mounting base.
4. Detach mounting base from camera.
5. Position mounting base on the CB140PT.
6. Align four screw holes on the mounting base to the four inner screw hole posts on the CB140PT.
7. Attach mounting base to the CB140PT with four screws.
8. Restore the assembly:
 - 1) Re-position the pressure clamp.
 - 2) Re-tighten the pressure clamp lock screw.
 - 3) Place camera body on mounting base.
 - 4) Re-attach and secure the trim ring.

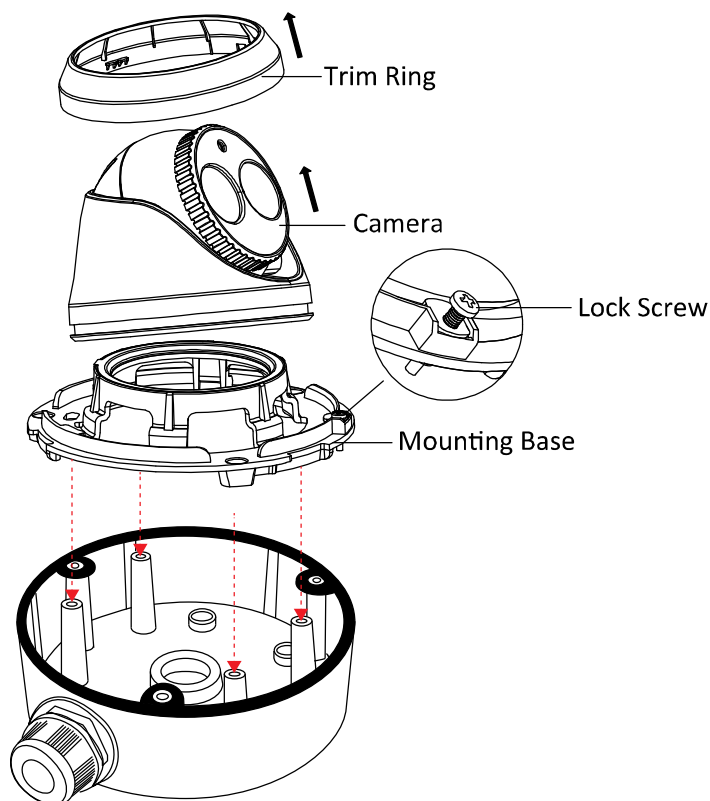


Figure 1, Attaching CB140PT to a Select Camera Model (Typical)

NOTE: Do not use the three outer screw holes on the CB140PT rim; you must use the four inner screw hole posts.