

# 100ICW8

## Product Data Sheet



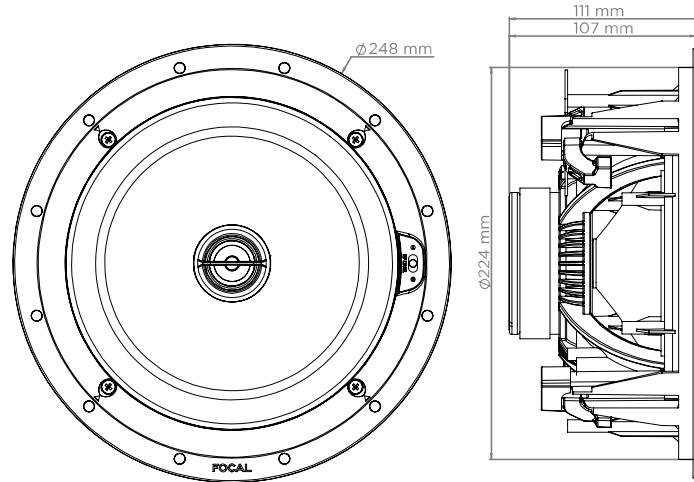
### Key Points

- Product designed and developed in France by Focal
- Compact product with shallow mounting depth
- For in-ceiling or in-wall loudspeakers (1 product, 2 uses)
- Possible to connect two loudspeakers to the same amplifier output
- Ready-to-paint grille

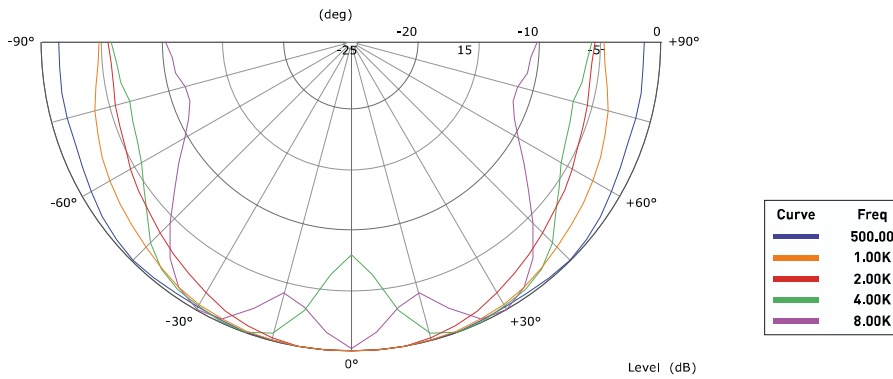
### Technical Specifications

Type	In-wall/In-ceiling 2-way coaxial
Drivers	8" (21cm) Polyglass Midbass. 1" (25mm) Al inverted dome Tweeter
Sensitivity (2.83V/1m)	90dB
Frequency response (+/-3dB)	53Hz-23kHz
Low frequency point (-6dB)	40Hz
Nominal impedance	8Ω
Minimal impedance	6,9Ω
Recommended amplifier power	25-150W
External dimensions (Ø/Depth)	9 <sup>3/16"</sup> x 4 <sup>3/8"</sup> (248x111mm)
Cut-Out diameter	8 <sup>13/16"</sup> (224mm)
Depth from wall	4 <sup>3/16"</sup> (107mm)
Net weight (with front grille)	3.86lbs (1.75kg)
Packing dimensions (WxDxH)	12 <sup>3/16"</sup> x 12 <sup>3/16"</sup> x 7 <sup>1/4"</sup> (310x310x185mm)
Total weight (with packaging)	4.73lbs (2.60kg)

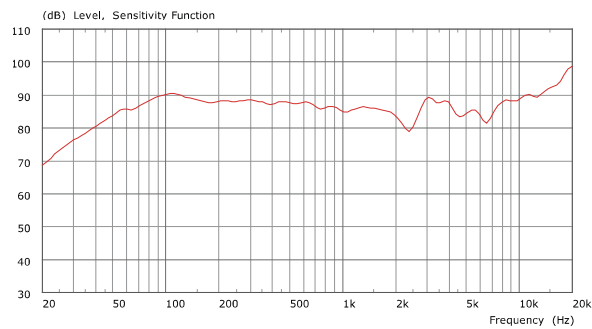
## Dimensions



## Measurements Directivity



## Frequency Response



## 100ICW8 Speaker level Calculation Table

Power/Distance	1m	2m	5m
1W (2.83V)	90dB	84dB	76dB
5W (8.94V)	100dB	94dB	86dB
10W (12.6V)	103dB	97dB	89dB
20W (15.5V)	105dB	99dB	91dB

Summary	125Hz	250Hz	500Hz	1kHz	2kHz	4kHz	8kHz
SPL (2.83V/1m) (dB)	91	89	89	86	85	88	89
Opening Angle at -6dB	180°	180°	180°	180°	180°	130°	100°