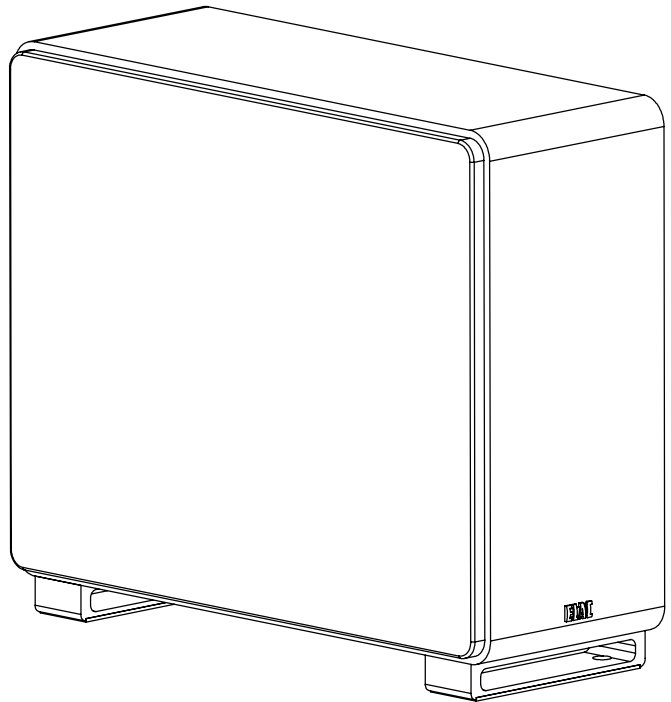
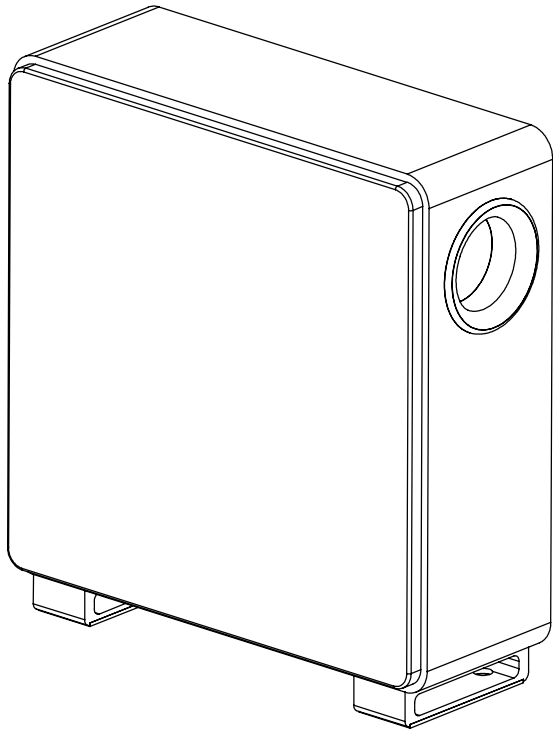


**ELAC** Muro™ Series



## OPERATING INSTRUCTIONS

SUB2010 Powered Subwoofer  
SUB2020 Powered Subwoofer

**ELAC** The life of sound.

# Safety Instructions

## 1. General information

- Please read and follow these safety instructions.
- Keep them safe for future reference.
- Observe all warnings on the speaker and in the manual. Please check the speaker for damage before use. The speaker must be in perfect working condition. Damaged parts may lead to personal injury.

**CAUTION!** Subwoofers and active speakers are heavy. Be careful when lifting them to prevent personal injury.

## 2. Use only as directed

- Connect this speaker according to the instructions in the manual.
- Many ELAC speakers are equipped with spikes and / or anti-slip feet. They are explicitly provided for leveling the alignment. They must be screwed into the thread until thread end. For leveling on an uneven floor, it is possible to unscrew the spikes or anti-slip feet by 2-3 turns of thread. The speaker should always be in perfect vertical alignment. The stability of the speaker must not be compromised by using spikes or anti-slip feet as the speaker may tip-over.

## 3. Location

- Install the speakers on a level surface only
- When choosing the location of these speakers do not place them in locations that are:
  - In direct sunlight
  - Very humid
  - Prone to vibrations
  - Exceptionally hot or cold
  - Near CRT Televisions (The speakers are not magnetically shielded and may cause color issues with a CRT based TV)
  - Close to magnetic cards (Since the speakers are not magnetically shielded placing magnetic cards such as credit cards or commuter cards may cause them to fail).

**WARNING!** Please ensure the product is perfectly stable to avoid severe injury from tip-over. Please note, that stability can be increased by using spikes for carpets (If available). However, the mounting of spikes must be carried out carefully because the spikes have very sharp ends which may cause injuries. The stability on slippery floors can be increased by using Velcro fastening tape or double-sided adhesive tape. Do not install the speaker near any heat sources such as radiators, heating valves, stoves, or other apparatus (including amplifiers) that produce heat, or in areas where there is a risk of explosion.

- Do not block any ventilation openings. Install in accordance with the manufacturer's instructions.
- Don't install the speaker in a closed rack or in a closed cupboard.
- Don't put burning candles on or near the speaker.
- Do not install the speaker near transformers because electromagnetic stray fields can cause the subwoofer(s) to produce humming noise.
- In combination with certain materials / lacquers / material surfaces, anti-slip feet or spike washers may cause colored imprints on the surfaces.

#### 4. Overload

Extreme overload of the device due to very high volume may cause individual components to blow. Because of the possible danger, you should never leave loudspeakers under extreme overload conditions unattended.

#### 5. Service

**DANGER!** Do not open the cabinet because the components and conductors may carry dangerous levels of electricity! Servicing to be carried out by qualified service personnel only.

Servicing is required when the loudspeaker has been damaged in any way, such as damage to the power supply cord or the plug, or when liquid has been spilled or objects have fallen into the loudspeaker, the speaker has been exposed to rain or moisture, does not operate normally, or has been dropped. To reduce the risk of electric shock, do not open the loudspeaker. Servicing to be carried out by qualified service personnel only .



#### 6. Fuse links

Various faults in subwoofers or active speakers may cause the fuse to blow. If the fuse blows, only replace it with the correct fuse type and rating as shown on the rear of the loudspeaker on the fuse holder. A second fuse may be included with the device (in the fuse holder beneath the mains socket).

#### 7. Cleaning

**NOTE:** Clean only with soft, smooth cloth or with a dust brush. Do not use scouring agents, alcohol, benzene, furniture polish or other agents for cleaning! Modern furniture is often coated with multiple varnishes and plastics which can be treated with chemical agents. Some of these agents contain substances which degrade or soften the rubber feet. Therefore we advise you to place an anti-slip mat underneath the loudspeaker.

#### 8. Volume

**CAUTION!** Continuous high volume may cause severe damage to your hearing. Please listen responsibly.

#### 9. Disposal

The packaging is made from recyclable materials. Dispose of this in an environmentally friendly manner. At end of product life do not dispose of the speaker(s) with standard household waste. The speaker must be recycled in accordance with local legislation. Ask your local government for further information on recycling as the device contains valuable raw materials. Disable the speaker before disposal.

#### 10. Power

This subwoofer is only intended to be connected to voltages that are listed on the rear panel of the cabinet. Connection to any other voltage may cause irreversible damage to the subwoofer and will void the warranty. Use of plug adapters is not recommended because they may allow connection to voltages other than those printed on the back of this subwoofer.

# Philosophy

Thank you for purchasing this ELAC product.

When we started in 1926, ELAC has always strived to achieve the very best. This holds true as much today as it did back then.

Your new ELAC speakers are built to the highest standards using high-quality components that are carefully constructed to deliver the best-in-class sound quality. They are developed by a passionate group of individuals whose sole purpose is to bring a new dimension of sound quality into your home. Enjoy!

## Before Use

Avoid damage to the speakers and other components:

- Unbox the subwoofer carefully to avoid physical damage
- Keep your equipment turned off before connecting interconnects or speaker cables
- Check to ensure power cable is pushed in and secured to avoid electrical shock and injury.

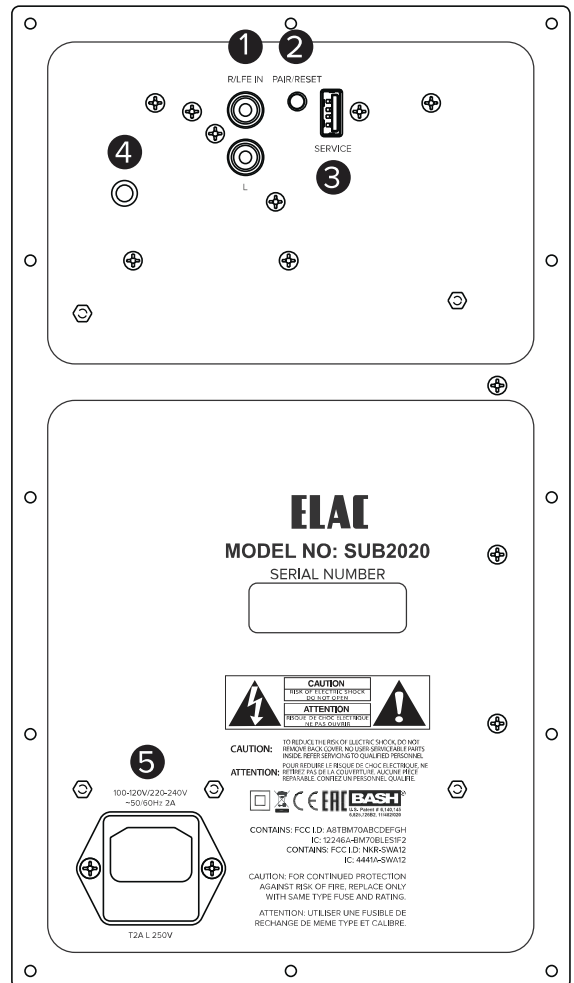
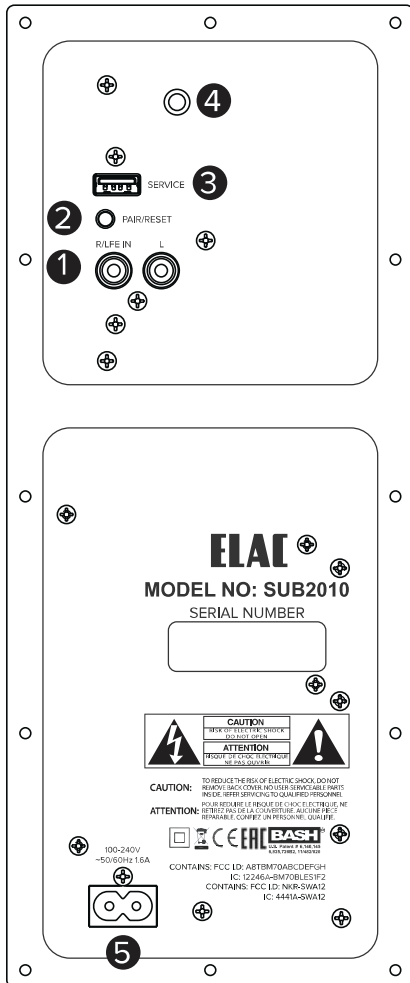
## BASH® Technology

The BASH® technology implemented in the amplifier module of the ELAC subwoofer features power reserves with much lower levels of distortion. This is achieved by using an audiophile class A/B power amplifier whose supply voltage is regulated by a class D amplifier circuit to prevent any unnecessary power losses and to obtain the efficiency close to that of a class D amplifier.

Since the audio signal is amplified in the analog domain, the high-frequency interference typical of digital amplifiers is eliminated. This design results in a low-noise amplifier with lower electromagnetic interference emissions. The absence of crossover distortion, which is a problem in traditional class D designs where the switching speed of the transistors is limited, yields further improvement in total harmonic distortion.

# Controls and Indicators

1. RCA Line In — The line level connection is used to connect the subwoofer to your pre-amp/AV receiver.
2. PAIR/RESET button — Used for pairing of the internal wireless audio receiver and factory reset of the subwoofer:
  - press more than 3 sec. for pairing until the LED is blinking fast, then release the button
  - The subwoofer is ready to be paired with the wireless transmitter.
  - press more than 10 sec., for factory reset of the subwoofer. The LED will blink very fast.
3. Service — This connection is used for updating the subwoofer and not used for normal operation.
4. Status LED — Shows the status of the subwoofer:
  - dim LED on - indicates normal operation
  - fast blinking LED - indicates wireless audio pairing mode
  - slowly blinking LED - indicates the subwoofer is searching for a wireless transmitter
  - very fast blinking LED - indicates factory reset
5. AC Inlet — This inlet is a standard IEC power jack. Use the supplied power cord to connect the subwoofer to an available AC outlet.



# Connecting your Subwoofer

The subwoofer can be connected to your home audio system using one of the two below options.

## Option 1:

Connect the subwoofer to an AV Receiver or Pre-Amp with a dedicated subwoofer or LFE output using an RCA cable (not supplied) from the LFE/Subwoofer output on the AV Receiver/Pre-Amp to the LFE IN on the subwoofer (Fig 1).

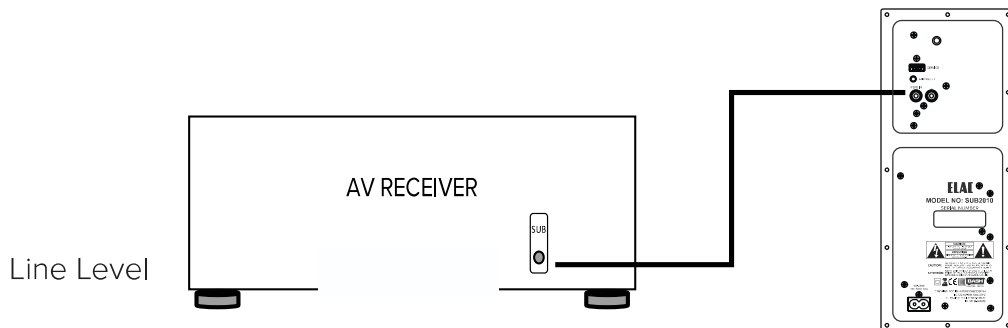


Fig. 1

## Option 2:

Use the optional wireless transmitter (Sold Separately). Please follow the instructions included with the wireless transmitter.

**Note:** Out of the box, the default settings of the subwoofer are:

- crossover 80Hz
- volume 75%

The default settings work in most of the applications. Use the app for advance settings of the subwoofer.

## Controlling Your Subwoofer—App Required

Your ELAC subwoofer incorporates an advanced, digital control system. Conventional analog rotary potentiometers and switches have been replaced by a digital signal processor (DSP), which enables you to adjust your subwoofer conveniently and accurately. All parameters, such as volume, cut-off frequency, phase, etc., as well as the automatic calibration functions, can be adjusted with the help of our free smartphone application.

The digital control system also eliminates the possibility of unwanted changes to controls and settings.

**Note:** A Bluetooth 4.0 low-energy Android or iOS device is required to set up and operate this subwoofer. You can download the “ELAC SUB Control 2.0” APP from the Apple® App Store® or Google® Play Store®.



Please note that your mobile device must support Bluetooth® Standard 4.0. This is the case for the majority of devices sold as of mid-2013. If necessary, check the accompanying documentation for your mobile device or contact the manufacturer’s support hotline.

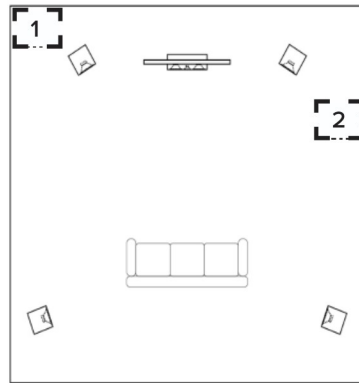
Note: In case your mobile device needs a 4 digit code during the subwoofer-pairing procedure, please use “0000”

# Subwoofer Placement

Finding the proper placement for your subwoofer can take some trial and error, however, here are a few basic tips to get you started. In most cases the best position for the subwoofer is in the front corner (1) of the room. Placing a subwoofer in a corner excites most room modes and offers the best chance of avoiding a null area (a part of the room that experiences an acoustic reduction in bass).

If placing the subwoofer in the corner creates an abnormal amount of bass, you can try moving the subwoofer to one of the side walls (2) near the front of the room.

If possible, the best option is to move the subwoofer around the room and find the location that sounds the best from your normal listening position. There are many test discs you can purchase that provide the correct test signals for helping find this optimum location.



**Note:** The AutoEQ feature of this subwoofer (Available from the smartphone app) will optimize the subwoofers performance wherever you finally place the subwoofer.

There are also three ways this subwoofer can be mounted. Use one of the following mounting solutions to best suit your needs:

1. Place the subwoofer on the floor in a vertical position on rectangular feet as show in Fig. A.
2. Place the subwoofer horizontally on the floor using the conical shaped rubber feet as show in Fig. B.
3. Mount the subwoofer on the wall using the provided brackets and two of the rubber feet as show in Fig. C.

L = 12" (304 mm) for SUB2010  
L = 15.2" (385 mm) for SUB2020

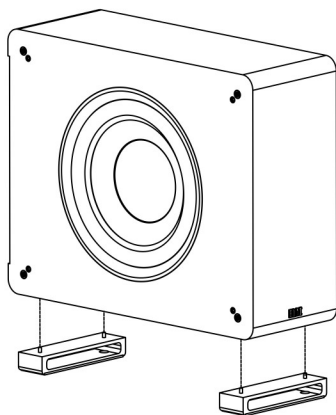


Fig. A

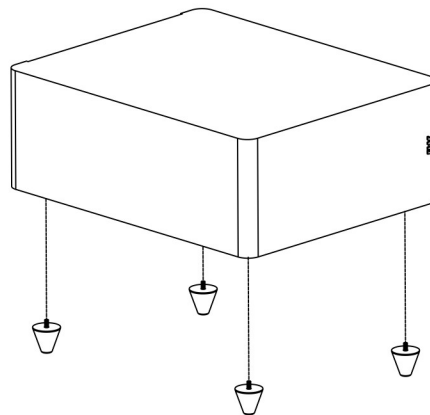


Fig. B

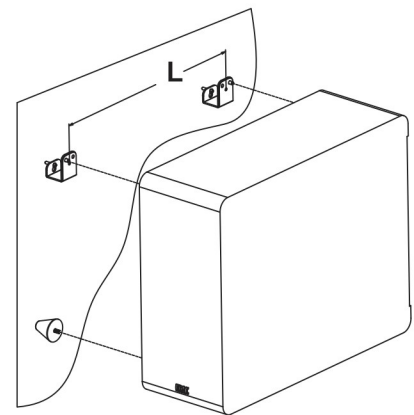


Fig. C

## SUB2010 SPECIFICATIONS

Speaker Type	Powered Subwoofer
Woofers	8" Polypropylene Cone with Steel Basket
Frequency Response	32Hz to 200Hz
Crossover Frequency	40Hz to 150Hz
Amplifier Type	BASH
Amplifier Power	120 Watts RMS / 240 Watts Peak
App Controlled	Yes (iOS and Android)
DSP	Yes
Standby Power Consumption	1.5 Watts
Maximum Power Consumption	200 Watts
Inputs	2 x line-channel (RCA)
Data Connection	USB (Firmware Update)
Wireless	Receiver Built-in (Transmitter sold separately)
Cabinet Finish	Black Vinyl, White Vinyl
Accessories Included	AC Power Cord, 2 x Rectangular Feet, 4 x Rubber Feet
Height	15.2in
Width	4.8in
Depth	14.2in
Net Weight	17.2lbs

## SUB2020 SPECIFICATIONS

Speaker Type	Sealed Box; Powered Subwoofer
Woofers	10" Woven Cellulose Fiber Cone with Steel Basket
Frequency Response	28Hz to 200Hz
Crossover Frequency	40Hz to 150Hz
Amplifier Type	BASH
Amplifier Power	200 Watts RMS / 400 Watts Peak
App Controlled	Yes (iOS and Android)
DSP	Yes
Standby Power Consumption	1.5 Watts
Maximum Power Consumption	300 Watts
Inputs	2 x line-channel (RCA)
Data Connection	USB (Firmware Update)
Wireless	Receiver Built-in (Transmitter sold separately)
Cabinet Finish	Black Vinyl, White Vinyl
Accessories Included	AC Power Cord, 2 x Rectangular Feet, 4 x Rubber Feet
Height	15.7in
Width	6.6in
Depth	18.2in
Net Weight	28.0lbs

**ELAC Americas Inc.  
North America Limited Liability Warranty  
Powered Subwoofers**

ELAC Americas Inc. warrants to the original purchaser that this product be free from defects and or workmanship for a period of 3 (Three) years on the cabinet and speaker driver and 1 (One) year on the amplifier from the original date of purchase. During this time period, repair or replacement of parts will be free of charge to the original owner (See below limitations). Shipping to and return from the repair center will be the responsibility of the original purchaser.

**Limitations**

Warranty begins on the date of original purchase from an authorized ELAC Americas Inc. dealer.

- Product is warranted only if used in home applications. Commercial use of this product is not warranted.
- Product that has been modified or altered in anyway will not be warranted.
- Product that has been abused or subjected to faulty equipment will not be warranted.
- Products with defaced or removed serial numbers will not be warranted.

**If service is required**

In the event that service is required, please contact ELAC America at 714-252-8843 or at customerservice@elac.us to arrange for service or replacement. You will be responsible to provide proof of purchase (Copy or original sales receipt). Shipping to and from our repair center will be the responsibility of the original purchaser.

**Warranty Outside of North America**

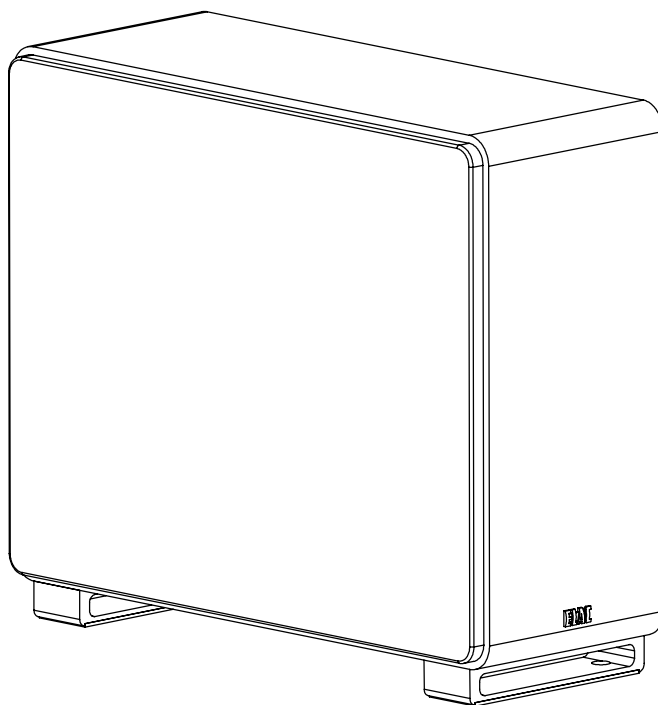
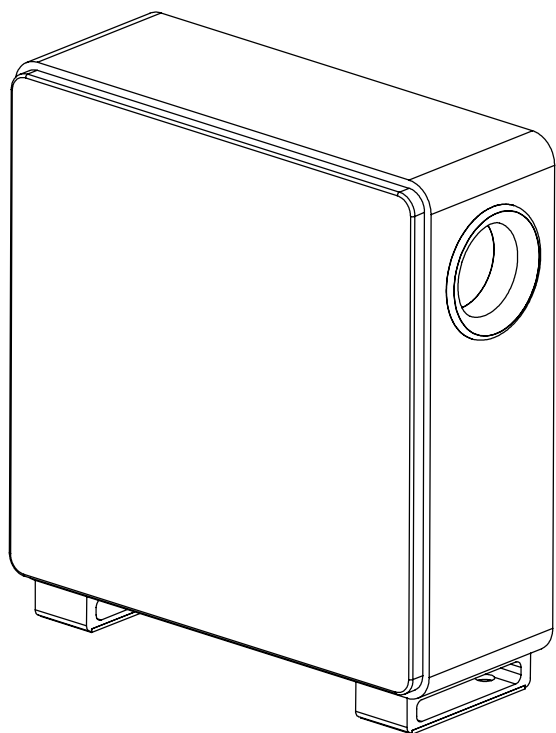
This warranty applies to products purchased in the United States and Canada. For warranty claims outside of North America please contact the local dealer/distributor in the country of purchase.



ELAC AMERICAS INC.  
11145 KNOTT AVE. SUITES E & F  
CYPRESS, CA 90630

ELAC ELECTROACUSTIC GMBH  
FRAUNHOFERSTRASSE 16  
D-24118 KIEL, GERMANY

**ELAC** Muro™ Series



CONSIGNES D'UTILISATION

Enceintes amplifiées d'extrêmes basses SUB2010 / SUB2020

**ELAC** The life of sound.

# Consignes de sécurité

## 1. Informations générales

- Veuillez lire et suivre ces consignes de sécurité.
- Conservez-les afin de les consulter ultérieurement.
- Observez tous les avertissements inscrits sur l'enceinte et dans le manuel. Vérifiez si l'enceinte est endommagée avant de l'utiliser. L'enceinte doit être en parfait état. Les pièces endommagées peuvent causer des blessures.

**ATTENTION!** Les enceintes d'extrêmes graves et les enceintes actives sont lourdes. Soyez vigilant en les soulevant afin d'éviter des blessures.

## 2. Utilisez uniquement selon les directives

- Connectez les enceintes conformément aux directives du manuel.
- De nombreuses enceintes ELAC sont équipées de pointes et/ou de pieds antidérapants. Ces accessoires sont explicitement fournis pour niveler et ajuster. Ils doivent être vissés jusqu'à la fin du filetage. Pour le nivellement sur un plancher irrégulier, il est possible dévisser les pointes ou les pieds antidérapants de 2 à 3 tours. Les enceintes doivent être parfaitement nivelées à la verticale, en tout temps. La stabilité de l'enceinte ne doit pas être compromise lors de l'utilisation des pointes ou des pieds antidérapants, car celle-ci risque de basculer.

## 3. Emplacement

- Installez uniquement les enceintes sur une surface plane
- Lorsque vous choisissez l'emplacement de ces enceintes, ne les placez pas dans des endroits qui sont :
- Sous les rayons directs du soleil
- Très humides
- Sujets aux vibrations
- Très chauds ou très froids
- Près de téléviseurs à tubes cathodiques (Comme les enceintes ne sont pas isolées magnétiquement, elles pourraient causer des problèmes de couleur à un téléviseur à tubes cathodiques)
- À proximité de cartes magnétiques (comme les enceintes ne sont pas isolées magnétiquement, les cartes magnétiques telles que les cartes de crédit ou de transport en commun pourraient entraver leur fonctionnement).

**AVERTISSEMENT!** Afin d'éviter toute blessure causée par le basculement de cet appareil, veuillez-vous assurer qu'il est parfaitement stable. Veuillez noter que la stabilité peut être augmentée en utilisant des pointes pour tapis (le cas échéant). Le montage des pointes doit cependant être effectué avec précaution puisque leurs extrémités très pointues pourraient causer des blessures. Sur des planchers glissants, la stabilité peut être augmentée en utilisant du Velcro ou du ruban adhésif à double face. N'installez pas les enceintes près de toutes sources de chaleur telles que des radiateurs, des valves de chauffage, des poêles ou autres appareils (incluant des amplificateurs) qui produisent de la chaleur ou dans des endroits présentant des risques d'explosion.

- Ne bloquez pas les ouvertures de ventilation. Effectuez l'installation conformément aux directives du fabricant.
- N'installez pas les enceintes dans un espace confiné ou un placard fermé.
- Ne mettez pas de bougies allumées sur ou près des enceintes.
- N'installez pas l'enceinte à proximité de transformateurs car des champs de dispersion électromagnétiques peuvent provoquer un bourdonnement des enceintes.
- En combinaison avec certains matériaux / vernis/ surfaces de matériaux, les pieds antidérapants ou les rondelles des pointes peuvent laisser des traces colorées sur les surfaces.

#### 4. **Surcharge**

Une surcharge extrême de l'appareil en raison d'un volume très élevé pourrait endommager certaines composantes de l'appareil. En raison de dangers potentiels, vous ne devez jamais laisser les enceintes sans surveillance lors de conditions de surcharge extrême.

#### 5. **Réparation**

**DANGER!** N'ouvrez pas le boîtier car les composants et les conducteurs peuvent transporter des niveaux dangereux d'électricité! L'entretien doit être uniquement effectué par un personnel qualifié.

Un entretien est nécessaire lorsque l'enceinte a été endommagée de quelque manière que ce soit, par exemple en cas d'endommagement du cordon d'alimentation ou de la prise ou lorsque du liquide a été renversé ou que des objets sont tombés dans

l'enceinte, que l'enceinte a été exposée à la pluie ou à l'humidité ou, qu'il ne fonctionne pas normalement ou a été échappée. Pour réduire le risque d'électrocution, n'ouvrez pas l'enceinte. L'entretien doit être effectué uniquement par un personnel qualifié.



#### 6. **Conducteurs fusibles**

Différentes défaillances des enceintes d'extrêmes basses ou des enceintes actives peuvent brûler le fusible. Si le fusible est brûlé, remplacez-le uniquement par le bon type de fusible et le bon calibre, tel qu'indiqué à l'arrière de l'enceinte sur le porte-fusible. Un deuxième fusible est peut-être inclus avec l'appareil (dans le porte-fusible sous la prise électrique).

#### 7. **Entretien**

**REMARQUE :** Nettoyez uniquement avec un chiffon doux et souple ou plumeau. N'utilisez pas de produits abrasifs, d'alcool, de benzène, de cire pour meubles ou autres produits de nettoyage!

Le mobilier moderne est souvent revêtu de multiples couches de vernis et de plastique qui peuvent être traités avec des agents chimiques. Certains de ces agents contiennent des substances qui dégradent ou ramollissent les pieds en caoutchouc. Par conséquent, nous vous conseillons de placer un tapis antidérapant sous l'enceinte.

#### 8. **Volume**

**ATTENTION!** Un volume élevé en continu peut endommager gravement votre audition. S'il vous plaît, veuillez écouter à un niveau sonore convenable.

#### 9. **Recyclage**

L'emballage est fabriqué à partir de matériaux recyclables. Disposez-le de façon écologique. Au terme de son cycle de vie, ne jetez pas l'enceinte avec les ordures ménagères. Les enceintes doivent être recyclées conformément à la législation locale. Informez-vous auprès de vos autorités locales pour obtenir de plus amples renseignements sur le recyclage, car l'appareil contient des matières premières précieuses. Désactivez l'enceinte avant de la mettre au rebut.

#### 10. **Pouvoir**

Cette enceinte d'extrêmes basses est uniquement destinée à être branchée aux tensions répertoriées sur le panneau arrière du boîtier. Tout branchement à une autre tension peut causer des dommages irréversibles à l'enceinte et annulera la garantie. L'utilisation d'adaptateurs de courant n'est pas recommandée parce qu'ils permettent un branchement à des voltages qui ne sont pas inscrits à l'arrière de l'enceinte.

# Philosophie

Merci d'avoir fait l'achat de ce produit ELAC.

Depuis nos débuts en 1926, ELAC s'est toujours efforcée à atteindre l'excellence. Cela vaut autant aujourd'hui qu'à l'époque.

Vos nouvelles enceintes ELAC sont conçues selon les normes les plus rigoureuses, munies de composantes de qualité supérieure et soigneusement fabriquées pour procurer la meilleure qualité sonore de sa catégorie. Elles sont conçues par des gens passionnés dont le seul but est d'amener à votre foyer une nouvelle dimension de qualité sonore. Profitez-en!

## Avant l'utilisation

Évitez d'endommager les enceintes et les autres composants :

- Déballez l'enceinte avec précaution pour éviter de les endommager
- Gardez votre équipement éteint avant de brancher des interconnexions ou des câbles d'enceinte
- Vérifiez que le câble d'alimentation est enfoncé et sécuritaire pour éviter les chocs électriques et les blessures.

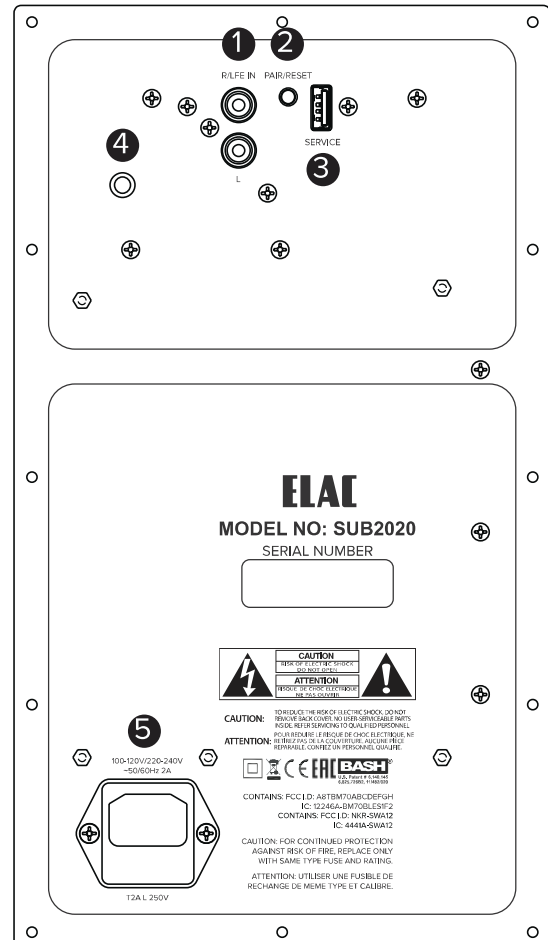
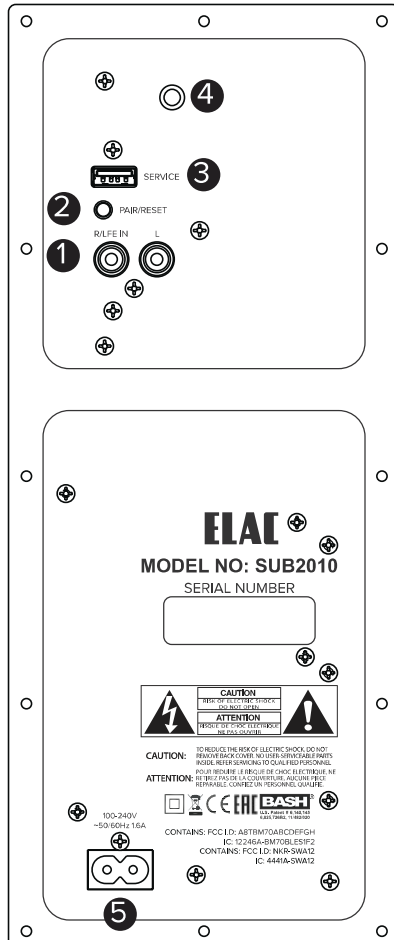
## Technologie BASH®

La technologie BASH®, mise en oeuvre dans le module d'amplification de l'enceinte d'extrêmes basses ELAC, offre des réserves de puissance avec des niveaux de distorsion beaucoup plus faibles. Ceci est réalisé en utilisant un amplificateur de puissance audiophile de classe A / B dont la tension d'alimentation est régulée par un circuit amplificateur de classe D pour éviter toute perte de puissance inutile et obtenir l'efficacité d'un amplificateur de classe D.

Comme le signal audio est amplifié de manière analogique, l'interférence typique haute fréquence des amplificateurs numériques est éliminée. Cette conception se traduit par un amplificateur à faible bruit avec des émissions d'interférences électromagnétiques plus faibles. L'absence de distorsion croisée, qui est un problème dans les conceptions classiques de classe D où la vitesse de commutation des transistors est limitée, conduit à une amélioration supplémentaire de la distorsion harmonique totale.

# Commandes et indicateurs

1. Entrée RCA - Ces connections de niveau de ligne sont utilisées pour brancher l'enceinte d'extrêmes basses à votre pré-amplificateur ou récepteur AV.
2. Bouton « PAIR/RESET » - Utilisé pour le jumelage du récepteur audio sans fil interne et pour la réinitialisation des paramètres d'origine de l'enceinte d'extrêmes graves :
  - Appuyez plus de 3 secondes pour le jumelage jusqu'à ce que le voyant clignote rapidement, puis relâchez le bouton. L'enceinte d'extrêmes graves est prête à être jumelée avec l'émetteur sans fil.
  - Appuyez plus de 10 secondes pour la réinitialisation des paramètres d'origine de l'enceinte d'extrêmes graves. Le voyant DEL clignotera très rapidement.
3. Service - Cette connexion est utilisée pour la mise à jour de l'enceinte d'extrêmes basses et n'est pas utilisée lors du fonctionnement normal.
4. Voyant d'état - Indique l'état de l'enceinte d'extrêmes basses :
  - Voyant d'état allumé - indique un fonctionnement normal
  - Clignotement rapide du voyant d'état - indique le mode de jumelage audio sans fil
  - Clignotement lent du voyant d'état - indique la recherche d'un émetteur sans fil par l'enceinte
  - Clignotement très rapide du voyant d'état - indique une réinitialisation des paramètres d'origine
5. Entrée CA - Cette entrée est une prise d'alimentation CEI standard. Utilisez le cordon d'alimentation fourni pour connecter l'enceinte d'extrêmes basses à une prise électrique disponible.



# Branchement de votre enceinte d'extrêmes basses

L'enceinte d'extrêmes basses peut se brancher à votre système audio maison en utilisant l'une des trois options suivantes.

## Option 1 :

Connectez l'enceinte d'extrêmes basses à un récepteur AV ou à un pré-ampli dans une sortie dédiée « SUB » ou une sortie LFE, branchez un câble RCA (non fourni) de la sortie LFE ou « SUB » du récepteur AV ou du pré-ampli, à l'entrée LFE de l'enceinte d'extrêmes basses (Fig 1).

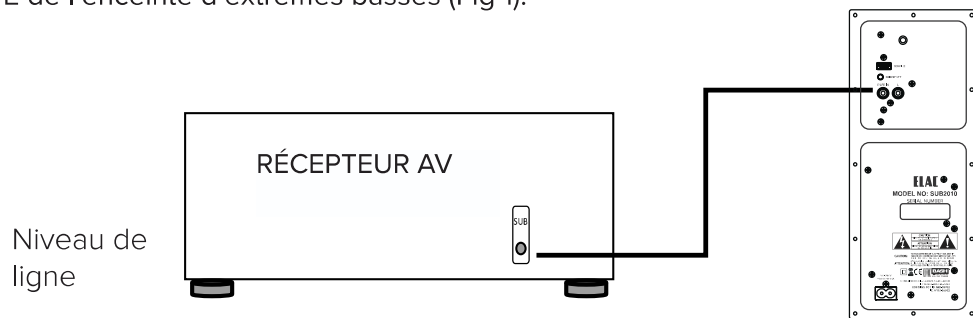


Fig. 1

## Option 2 :

Utilisez l'émetteur sans fil optionnel (vendu séparément). Veuillez suivre les directives fournies avec l'émetteur sans fil.

Remarque : Les paramètres d'origine de l'enceinte sont les suivants :

- Filtre passif 80 Hz « crossover »
- Volume 75 %

Les paramètres d'origine fonctionnent avec la plupart des applications. Utilisez l'application pour afficher les réglages avancés de l'enceinte.

## Contrôle de votre enceinte d'extrêmes basses - Application requise

Votre enceinte d'extrêmes basses ELAC intègre un système de contrôle numérique avancé. Les potentiomètres et commutateurs rotatifs analogiques conventionnels (à l'exception du volume) ont été remplacés par un processeur de signal numérique (DSP), qui vous permet d'ajuster votre enceinte de manière pratique et précise. Tous les paramètres, tels que le volume, la fréquence de coupure, la phase, etc., ainsi que les fonctions de calibrage automatique, peuvent être ajustés avec un appareil intelligent et notre application gratuite.

Le système de contrôle numérique élimine également la possibilité de changements non désirés aux commandes et aux réglages.

Remarque : Un périphérique Bluetooth 4.0 Android ou iOS à faible consommation d'énergie est nécessaire pour configurer et utiliser cette enceinte d'extrêmes basses. Vous pouvez télécharger l'application « ELAC



SUB CONTROL 2.0 » depuis l'Apple® App Store® ou Google® Play Store®.

Veuillez noter que votre appareil mobile doit prendre en charge Bluetooth® Standard 4.0. C'est le cas de la majorité des appareils vendus depuis le milieu de l'année 2013. Si nécessaire, consultez la documentation d'accompagnement de votre appareil mobile ou contactez le service d'assistance du fabricant.

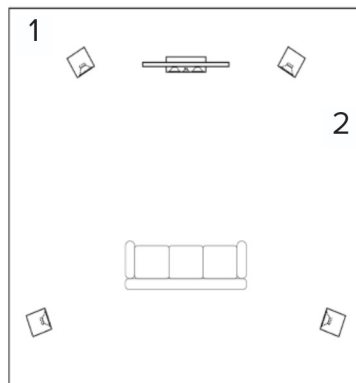
Remarque : Si votre appareil mobile a besoin d'un code à 4 chiffres durant la procédure de jumelage, veuillez utiliser le « 0000 »

# Emplacement de l'enceinte d'extrêmes basses

Trouver le bon emplacement pour votre enceinte d'extrême basse peut demander quelques essais et erreurs, mais voici quelques conseils de base pour vous aider à démarrer. Dans la plupart des cas, le meilleur emplacement pour l'enceinte d'extrêmes basses se situe dans le coin avant (1) de la pièce. Le fait de placer une enceinte d'extrêmes basses dans un coin convient à la plupart des configurations de pièce et offre une meilleure chance d'éviter une zone morte (c'est-à-dire une partie de la pièce qui subit une réduction acoustique des basses).

Si une fois placée dans un coin l'enceinte d'extrêmes basses crée une quantité anormale de graves, vous pouvez essayer de la déplacer sur l'une des parois latérales (2) près de l'avant de la pièce.

Si possible, la meilleure option est de déplacer l'enceinte d'extrêmes basses autour de la pièce afin de trouver l'emplacement optimal à partir de votre position d'écoute normale. Il existe de nombreux disques d'essai que vous pouvez acheter et qui fournissent des signaux de tests exacts pour vous aider à trouver cet emplacement optimal.



Remarque : La fonction « AutoEQ » de cette enceinte d'extrêmes graves (disponible à partir de l'application pour téléphone intelligent) optimisera ses performances à partir de l'emplacement où vous l'aurez installée.

Il existe également trois manières de monter cette enceinte d'extrêmes graves. Choisissez le montage le mieux adapté à vos besoins :

1. Placez l'enceinte au sol, verticalement, sur des pieds rectangulaires, tel qu'illustré à la Fig. A.
2. Placez l'enceinte horizontalement au sol en utilisant les pieds en caoutchouc de forme conique, tel qu'il lustré à la Fig. B.
3. Montez l'enceinte au mur à l'aide des supports fournis et de deux des pieds en caoutchouc, tel qu'illustré à la Fig. C.

SUB2010 = Largeur 12" (304 mm)  
SUB2020 = Largeur 15,2" (385 mm)

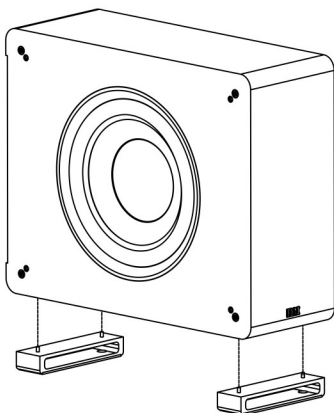


Fig. A

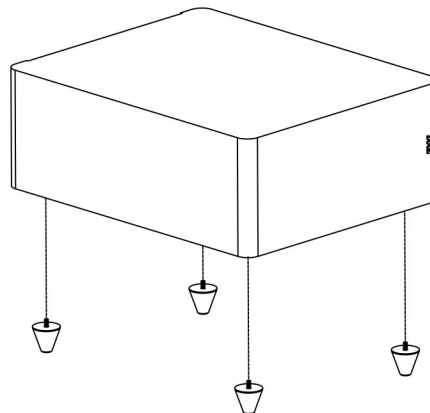


Fig. B

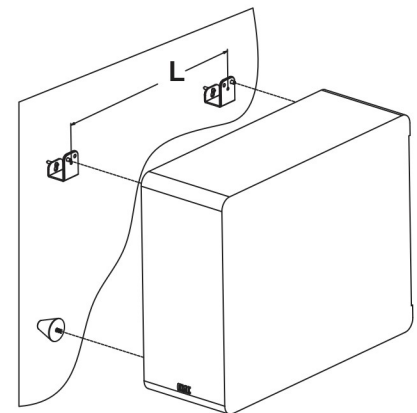


Fig. C

## CARACTÉRISTIQUES DU SUB2010

Type d'enceinte	Enceinte amplifiée d'extrêmes basses
Enceinte de basses	Cône en polypropylène de 8" avec un panier en acier
Courbe de fréquence	32 Hz à 200 Hz
Fréquence de recouvrement	De 40 à 150 Hz
Type d'amplificateur	BASH
Puissance de l'amplificateur	120 Watt « RMS » / 240 Watt en pointe
Controlée par une application	Oui (iOS et Android)
DSP	Oui
Consommation d'électricité en mode « veille »	1,5 Watt
Consommation maximale d'électricité	200 Watt
Entrées	2x ligne-canal (RCA)
Connexion des données	USB (mise à jour du micrologiciel)
Sans fil	Récepteur intégré (Émetteur vendu séparément)
Finition du caisson	Vinyle noir, vinyle blanc
Accessoires fournis	Cordon d'alimentation, 2x pieds rectangulaires, 4x pieds en caoutchouc
Hauteur	15,2 po
Largeur	4,8 po
Profondeur	14,2 po
Poids net	17,2 lb

## CARACTÉRISTIQUES DU SUB2020

Type d'enceinte	Caisson scellé; enceinte amplifiée d'extrêmes basses
Enceinte de basses	Cône en fibre de cellulose tissée de 10" avec panier en acier
Courbe de fréquence	28 Hz à 200 Hz
Fréquence de recouvrement	De 40 à 150 Hz
Type d'amplificateur	BASH
Puissance de l'amplificateur	200 Watt « RMS » / 400 Watt en pointe
Controlée par une application	Oui (iOS et Android)
DSP	Oui
Consommation d'électricité en mode « veille »	1,5 Watt
Consommation maximale d'électricité	300 Watt
Entrées	2x ligne-canal (RCA)
Connexion des données	USB (mise à jour du micrologiciel)
Sans fil	Récepteur intégré (Émetteur vendu séparément)
Finition du caisson	Vinyle noir, vinyle blanc
Accessoires fournis	Cordon d'alimentation, 2x pieds rectangulaires, 4x pieds en caoutchouc
Hauteur	15,7 po
Largeur	6,6 po
Profondeur	18,2 po
Poids net	28,0 lb

**ELAC Americas Inc.**  
**Les enceintes amplifiées d'extrêmes**  
**basses sont couvertes par une Garantie**  
**de responsabilité limitée à l'Amérique du Nord**

ELAC Americas LLC. garantit à l'acheteur d'origine que ce produit est exempt de toute défectuosité matérielle et/ou de main-d'œuvre du cabinet et de l'enceinte pour une période de 3 (trois) ans et de l'amplificateur pour une période de 1 (un) an à compter de la date initiale d'achat. Au cours de cette période, la réparation ou le remplacement de pièces seront gratuits pour le propriétaire d'origine (lire les restrictions ci-dessous). Les frais d'expédition vers le centre de réparation ainsi que son retour seront à la charge de l'acheteur d'origine.

**Restrictions**

La garantie débute à la date initiale de l'achat chez un détaillant autorisé par ELAC Americas Inc.

- Le produit est garanti seulement s'il est utilisé dans des applications domestiques. La garantie de ce produit ne couvre pas une utilisation commerciale.
- Un produit qui a été modifié de toute façon ne sera pas garanti.
- Un produit utilisé avec négligence ou soumis à un équipement défectueux ne sera pas garanti.
- Les produits dont les numéros de série ont été modifiés ou supprimés ne seront pas couverts par la garantie.

**Si des réparations sont requises**

Dans le cas où des réparations sont requises, veuillez contacter ELAC America au 714-252-8843 ou envoyer un courriel à [customerservice@elac.us](mailto:customerservice@elac.us) pour procéder aux réparations ou au remplacement du produit. Vous devrez présenter une preuve d'achat (copie ou facture originale). La totalité des frais d'expédition vers et depuis notre centre de réparation sera à la charge de l'acheteur d'origine.

**Garantie à l'extérieur de l'Amérique du Nord**

Cette garantie s'applique aux produits achetés aux États-Unis et au Canada. Pour les réclamations au titre de la garantie à l'extérieur de l'Amérique du Nord, veuillez contacter le revendeur/distributeur local du pays d'achat.



ELAC AMERICAS INC.  
11145 KNOTT AVE. SUITES E & F  
CYPRESS, CA 90630

ELAC ELECTROACUSTIC GMBH  
FRAUNHOFERSTRASSE 16  
D-24118 KIEL, GERMANY