

ECI-T24Fn(C)

4 MP Fixed Turret Network Camera



Hikvision's ECI-T24Fn(C) cameras feature high quality 4 MP resolution imaging, H.265+ video compression, true 120 dB WDR for clear imaging even under strong backlighting condition, EXIR 2.0 for advanced long IR range, and a built-in microphone for real-time audio security.

Available Models

ECI-T24F2(C): 2.8 mm

ECI-T24F4(C): 4 mm

- High Quality 4 MP Resolution Imaging
- Efficient H.265+ Compression
- 120 dB WDR for Clear Imaging Even with Strong Backlighting
- Water and Dust Resistant (IP67)
- EXIR 2.0: Advanced Long IR Range Infrared Technology
- Built-in Microphone for Real-Time Audio Security
- Supports up to 256 GB SD Card Storage



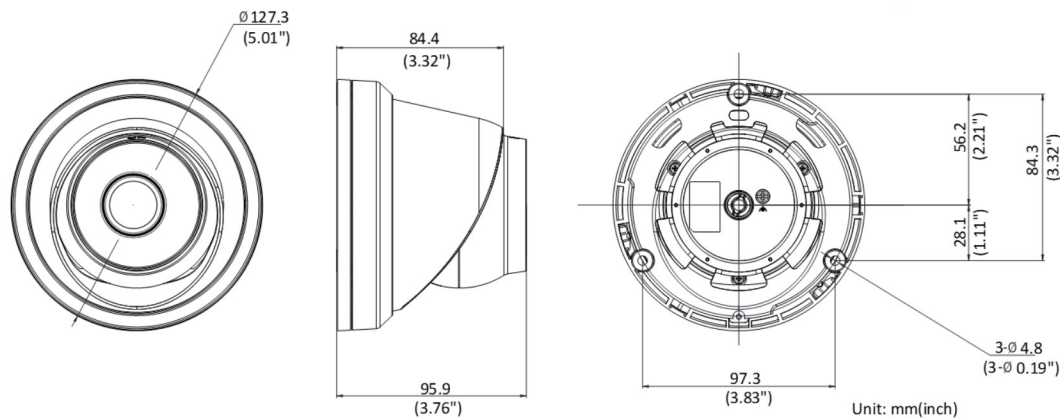
Specifications

	ECI-T24F2(C)	ECI-T24F4(C)
Camera		
Image Sensor	1/3" progressive scan CMOS	
Maximum Resolution	2560 × 1440	
Minimum Illumination	Color: 0.01 lux @ (f/2.0, AGC on), B/W: 0 lux with IR	
Shutter Speed	1/3 s to 1/100,000 s	
Day/Night	IR cut filter	
Angle Adjustment	Pan: 0° to 360°, tilt: 0° to 75°, rotate: 0° to 360°	
Lens		
Lens Type	Fixed focal length	
Focal Length	2.8 mm	4 mm
FOV	2.8 mm	Horizontal FOV 98.0°, vertical FOV 53.1°, diagonal FOV 114.7°
	4 mm	Horizontal FOV 78.7°, vertical FOV 43.1°, diagonal FOV 92.3°
Lens Mount	M12	
Iris Type	Fixed	
Aperture	f/2.0	
Illuminator		
Supplement Light Type	IR	
Supplement Light Range	Up to 98 ft (30 m)	
Smart Supplement Light	Yes	
IR Wavelength	850 nm	
Video		
Main Stream	50 Hz: 20 fps (2560 × 1440), 25 fps (2304 × 1296, 1920 × 1080, 1280 × 720)	
	60 Hz: 20 fps (2560 × 1440), 30 fps (2304 × 1296, 1920 × 1080, 1280 × 720)	
Sub-Stream	50 Hz: 25 fps (640 × 480, 640 × 360)	
	60 Hz: 30 fps (640 × 480, 640 × 360)	
Video Compression	Main stream: H.265/H.264/H.264+/H.265+ Sub-stream: H.265/H.264/MJPEG	
Video Bit Rate	32 Kbps to 8 Mbps	
H.264 Type	Baseline Profile/Main Profile/High Profile	
H.265 Type	Main Profile	
Region of Interest (ROI)	1 fixed region for main stream	
Audio		
Audio Compression	G.711ulaw/G.711alaw/G.722.1/G.726/MP2L2/PCM/AAC	
Audio Bit Rate	64 Kbps (G.711)/16 Kbps (G.722.1)/16 Kbps (G.726)/32 to 160 Kbps (MP2L2)/16 to 64 Kbps (AAC)	
Audio Sampling Rate	8 kHz/16 kHz	
Environment Noise Filtering	Yes	
Network		
Protocols	TCP/IP, ICMP, HTTP, HTTPS, FTP, DHCP, DNS, DDNS, RTP, RTSP, RTCP, PPPoE, NTP, UPnP™, SMTP, SNMP, IGMP, 802.1x, QoS, IPv6, Bonjour, IPv4, UDP, SSL/TLS	
Simultaneous Live View	Up to 6 channels	
API	Open Network Video Interface, ISAPI	
User/Host	Up to 32 users. 3 levels: administrator, operator, and user	
Network Storage	NAS (NFS, SMB/CIFS), ANR	
Client	iVMS-4200, Hik-Connect	
Web Browser	Plug-in required live view: IE 10+	
	Plug-in free live view: Chrome 57.0+, Firefox 52.0+ Local service: Chrome 57.0+, Firefox 52.0+	
Image		
Image Settings	Saturation, brightness, contrast, sharpness, AGC, white balance adjustable by client software or Web browser	
Day/Night Switch	Auto, Schedule, Day, Night	
Wide Dynamic Range (WDR)	120 dB	
Image Enhancement	BLC, 3D DNR	
Interface		
Ethernet Interface	1 RJ-45 10 M/100 M self-adaptive Ethernet port	
On-Board Storage	Built-in memory card slot, supports microSD card, up to 256 GB	
Built-in Microphone	Yes	
Reset Key	Yes	
Events		
Basic Event	Motion detection, video tampering, exception	
Linkage	Upload to FTP, notify surveillance center, send e-mail, upload to memory card, trigger recording, trigger capture	

Specifications (continued)

	ECI-T24F2(C)	ECI-T24F4(C)
General		
Power	12 VDC ±25%, 0.4 A, maximum 5 W, Ø5.5 mm coaxial power plug PoE: 802.3af, Class 3, 36 V to 57 V, 0.2 A to 0.15 A, maximum 6.5 W	
Materials	Metal and plastic	
Dimensions	Ø127.3 mm × 95.9 mm (Ø 5.0" × 3.7")	
Package Dimensions	150 mm × 150 mm × 141 mm (5.9" × 5.9" × 5.6")	
Weight	Approximately 469 g (1.03 lb)	
With Package Weight	Approximately 705 g (1.55 lb)	
Storage Conditions	-30° to 60° C (-22° to 140° F), humidity 95% or less (non-condensing)	
Startup and Operating Conditions	-30° to 60° C (-22° to 140° F), humidity 95% or less (non-condensing)	
General Function	Anti-flicker, heartbeat, mirror, password protection, privacy mask, watermark, IP address filter	
Approval		
EMC	FCC SDoC (47 CFR Part 15, Subpart B); IC VoC (ICES-003: Issue 6, 2016)	
Protection	IP67 (IEC 60529-2013)	

Dimensions



Accessories

NOT INCLUDED				
				
CPM Ceiling Pendant Mount	CBM Conduit Base	CB130T Conduit Base	PM Pole Mount	PC130T Pendant Cap
				
WML Wall Mount	ABM Angled Base	CM Corner Mount		