



PoE Switch

Quick Start Guide

PoE Switch Quick Start Guide

About this Manual

The Manual includes instructions for using and managing the Product. Pictures, charts, images and all other information hereinafter are for description and explanation only. The information contained in the Manual is subject to change, without notice, due to firmware updates or other reasons. Please find the latest version of this Manual at the Hikvision website (<https://www.hikvision.com/>).




Please use this Manual with the guidance and assistance of professionals trained in supporting the Product.

Applicable Models

This manual is applicable to switches.

Symbol Conventions

The symbols that may be found in this document are defined as follows.

Symbol	Description
 Danger	Indicates a hazardous situation which, if not avoided, will or could result in death or serious injury.
 Caution	Indicates a potentially hazardous situation which, if not avoided, could result in equipment damage, data loss, performance degradation, or unexpected results.
 Note	Provides additional information to emphasize or supplement important points of the main text.

•

Chapter 1 Introduction

1.1 Product Introduction

DS-3E1552P series switches (hereinafter referred to as "the device") are layer 2 PoE switches, providing advanced PoE power supply technology on the basis of high-performance access. The switches support client management, network topology management, link aggregation, port management and so on. The switches are suitable for small-scale LAN device access.

1.2 Packing List

Items	Quantity
Switch	× 1
Power Adapter	× 1
AC Power Cord	× 1
Screw	× 6
L-Shaped Bracket	× 1
Quick Start Guide	× 1

1.3 Appearance

Different models of devices may have different appearances. The following pictures are only for illustration.

Front Panel

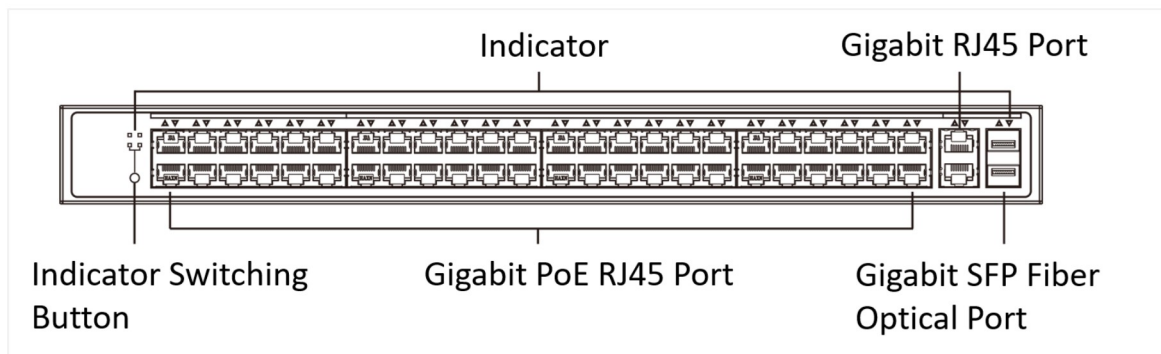


Figure 1-1 DS-3E1552P Series

PoE Switch Quick Start Guide

Rear Panel

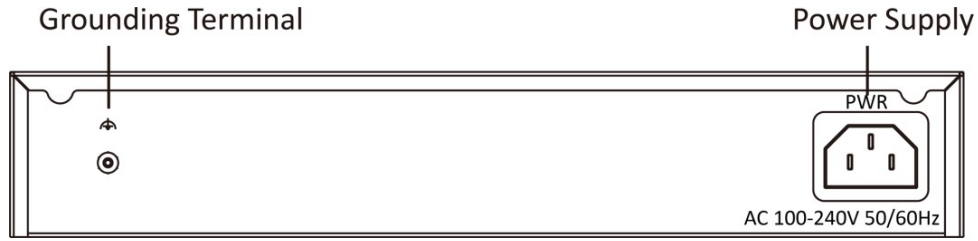


Figure 1-2 DS-3E1552P Series

Port/Indicator Description

Indicator/Port	Description
PoE-MAX Indicator	<ul style="list-style-type: none"> • Solid /Flashing: The output power of the switch will reach the upper limit. The power supply may be abnormal if more devices are connected. • Unlit: The switch provides power supply to PD normally.
PWR Indicator	<ul style="list-style-type: none"> • Solid: The switch is powered on normally. • Unlit: No power supply connected or power supply is abnormal.
Indicator Switching Button	<p>Press on it until LINK/ACT indicator lighting, which shows ports data transmission status.</p> <ul style="list-style-type: none"> • Solid: The port is connected. • Flashing: The port is transmitting data. • Unlit: The port is disconnected or connection is abnormal. <p>Press on it until PoE indicator lighting, which shows port power provide status.</p> <ul style="list-style-type: none"> • Solid: The switch provides power supply to PD normally. • Unlit: The switch is disconnected to PD, or provides power supply to PD abnormally.
Gigabit PoE RJ45 Port	Used for PD devices connection via network cables.
Gigabit RJ45 Port	Used for other devices connection via network cables.
Gigabit SFP Fiber Optical Port	Used for optical module connection via optical fiber.
Grounding Terminal	Used for connecting to the grounding cable to protect the switch from lightning.
Power Supply	Use the attached power cord to connect the switch to socket.

Chapter 2 Installation

Please select the appropriate installation method according to the actual needs.

Before You Start

- Ensure that the desktop or rack is stable and firm enough.
- Keep the room well-ventilated. Keep at least 10 cm distance around the device for heat dissipation.
- Keep at least 1.5 cm vertical distance between two adjacent devices for rack-mount installation.

2.1 Desk-Mounted Installation

Place the device on the desk.

2.2 Rack-Mounted Installation

Steps

1. Check the grounding and stability of the rack.
2. Use the attached screws to fix the two L-shaped brackets to the sides of the switch.

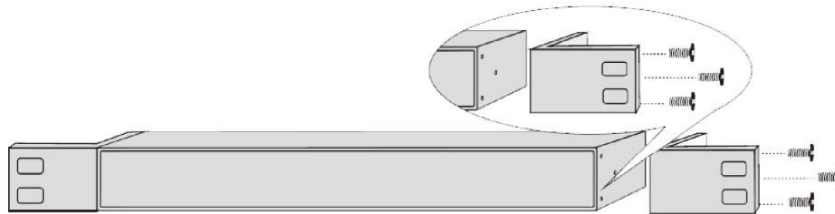


Figure 2-1 Fix L-Shaped Brackets

3. Place your switch on the rack, fix it to the rack with self-prepared screws to stably install your switch.

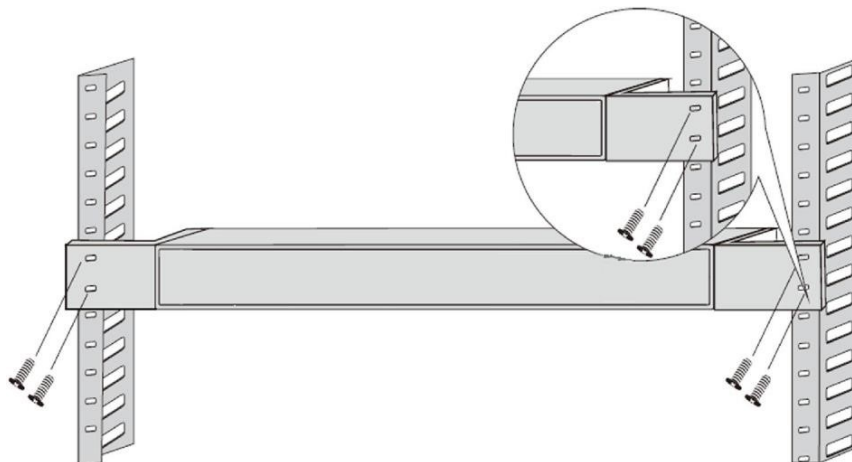


Figure 2-2 Fix to the Rack

Chapter 3 Grounding

3.1 Connecting the Grounding Cable

Grounding is used to quickly release overvoltage and overcurrent induced by lightning for switch, and to protect personal safety. Select the appropriate grounding method according to your needs.

3.1.1 With Grounding Bar

If a grounding bar is available at the installation site, follow the steps below.

Steps

1. Connect one end of the grounding cable to the binding post on the grounding bar.
2. Connect the other end of the grounding cable to the grounding terminal of the device and fix the screw.

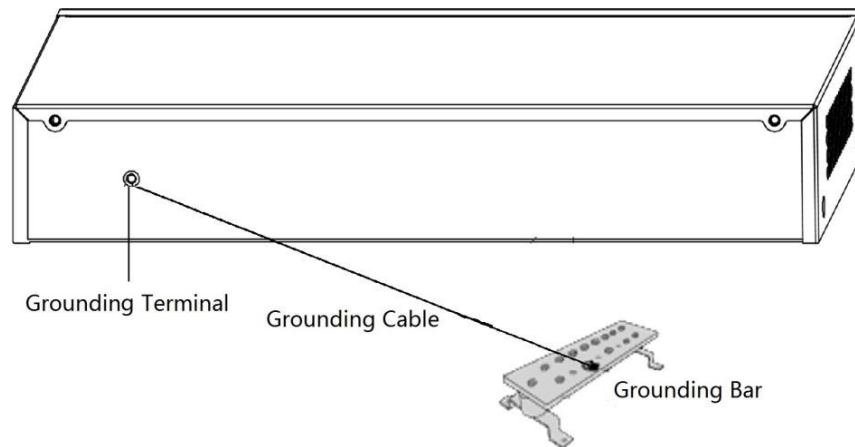


Figure 3-1 Grounding with Grounding Bar

3.1.2 Without Grounding Bar

If there is no grounding bar but the earth is nearby and the grounding body is allowed to be buried, follow the steps below.

Steps

1. Bury an angle steel or steel pipe (≥ 0.5 m) into the mud land.
2. Weld one end of the grounding cable to the angle steel or steel pipe and embalm the welding point via electroplating or coating.
3. Connect the other end of the grounding cable to the grounding terminal.

PoE Switch Quick Start Guide

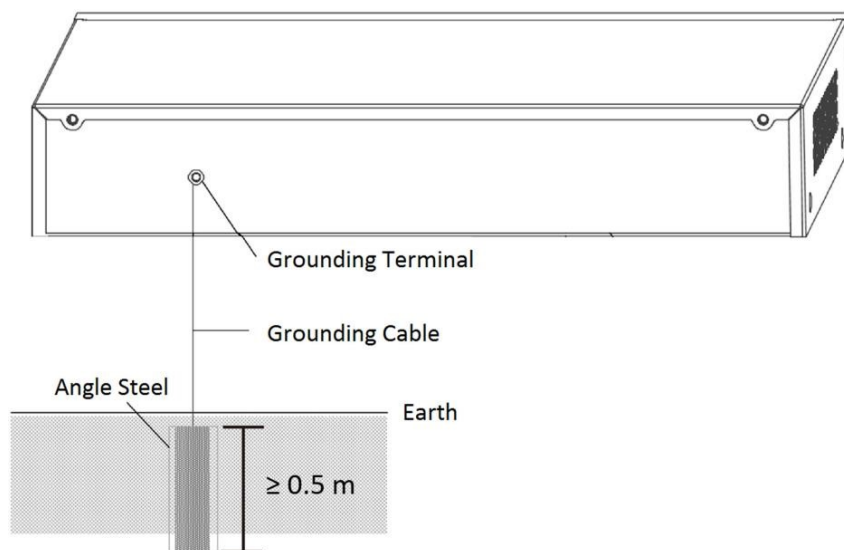


Figure 3-2 Grounding with Angle Steel

3.2 Connecting RJ45 Port

Use a network cable to connect the device to the RJ45 port of a peer device such as network camera, NVR, switch, etc.

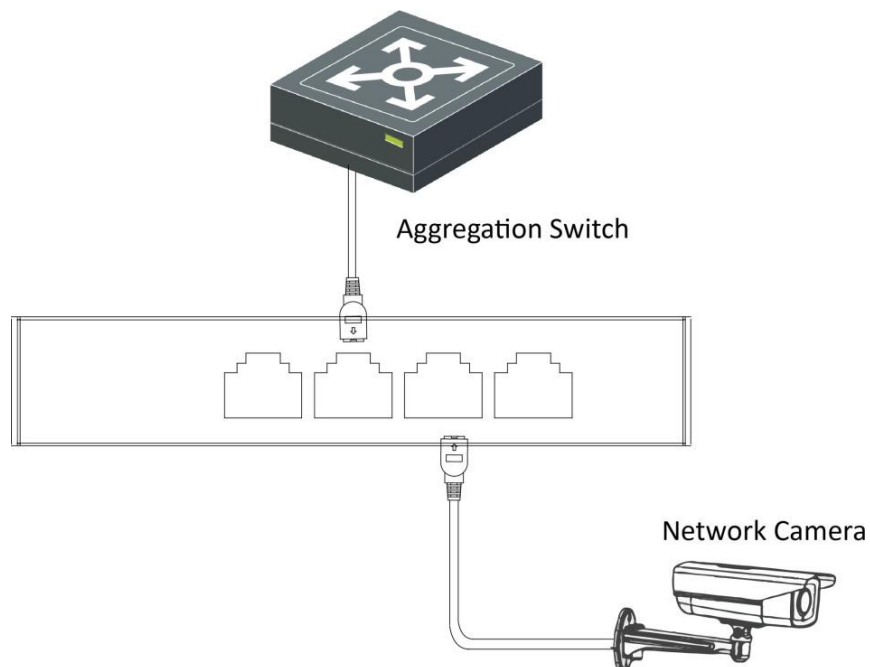


Figure 3-3 RJ45 Port Connection

3.3 Connecting SFP Optical Module

Connecting SFP optical module is supported when the device has a fiber optic port or a combo.

When connected to a network cable, the combo is a RJ45 port. When plugged into with an optical module and connected to an optical fiber, the combo functions as a fiber optic port.

When connected to both the network cable and optical fiber at the same time, the port works as a fiber optic port.

Steps



Caution

- Single-Mode optical module needs to be paired.
 - Do not bend fiber optic (curvature radius ≥ 10 cm) overly.
 - Do not look directly at fiber optic connector because the laser is harmful to eyes.
-

1. Connect the two paired SFP optical modules with an optical fiber.
2. Hold the SFP optical module from one side, and smoothly plug it into the device along with the SFP port slot until the optical module and the device are closely attached.
3. After powering on the device, check the status of LINK/ACT indicator. If the indicator is lit, the link is connected. If the indicator is unlit, the link is disconnected. Check the line, and make sure peer devices have been started.

Chapter 4 Powering on the Device

Please use the attached power cord in package to power on the device.

Before powering your switch, make sure that:

- The operating power supply is compliant with rated input standard.
 - Port cables and grounding cables are correctly connected.
 - If there is outdoor cabling, connect a lightning rod and lightning arrester to the cable.
-



PoE power supply line and strong wire cannot be wired together, otherwise PD equipment or switch ports will be burnt.

Chapter 5 Device Management

The device can be configured and managed through iVMS-4200 software, mainly including network parameter configuration, port configuration, link aggregation configuration, network topology display and so on.

 **Note**

- This chapter will briefly introduce the device management through iVMS-4200 software. For other functions, please refer to *User Manual of iVMS-4200 Software*.
 - All pictures in this manual are for illustration only, and the specific interface is subject to the actual interface.
-

5.1 Activating Devices

For the inactive devices, you are required to create a password to activate them before they can be added to the software and work properly.

Before You Start

Make sure the device to be activated is connected to the network and is in the same subnet with the PC running the client.

Step

1. Enter the Device Management page.
2. Click **Device** tab on the top of the right panel.
3. Click **Online Device** to show the online device area at the bottom of the page.

The searched online devices are displayed in the list.

4. Check the device status (shown on **Security Level** column) and select an inactive device.

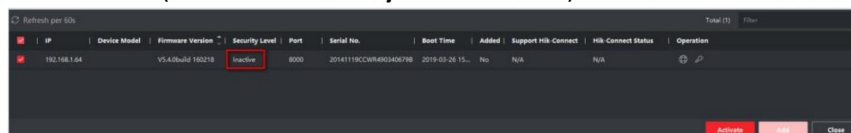


Figure 5-1 Online Inactive Device

5. Click **Activate** to open the Activation dialog.
6. Create a password in the password field, and confirm the password.

Caution

The password strength of the device can be automatically checked. We highly recommend you change the password of your own choosing (using a minimum of 8 characters, including at least three kinds of following categories: upper case letters, lower case letters, numbers, and special characters) in order to increase the security of your product. And we recommend you change your password regularly, especially in the high security system, changing the password monthly or weekly can better protect your product.

Proper configuration of all passwords and other security settings is the responsibility of the installer and/or end-user.

7. Click **OK** to activate the device.

5.2 Adding Devices

The client provides various device adding modes including IP/domain, IP segment, cloud P2P, ISUP protocol, and HiDDNS. The client also supports importing multiple devices in a batch when there are large amount of devices to be added. The section only introduces one mode, namely, adding a detected online device.

Steps

1. Enter the Device Management module.
2. Click **Device** tab on the top of the right panel.
3. Click **Online Device** to show the online device area.

The searched online devices are displayed in the list.

4. Select an online device in the **Online Device** area, and click **Add** to open the device adding window.
-

Note

For the inactive device, you need to create the password for it before you can add the device properly. For detailed steps, refer to **Activating Devices** .

5. Enter the required information.

Name

Enter a descriptive name for the device.

IP Address

Enter the device's IP address. The IP address of the device is obtained automatically in this adding mode.

Port

You can customize the port number. The port number of the device is obtained automatically in this adding mode.

User Name

PoE Switch Quick Start Guide

By default, the user name is **admin**.

Password

Enter the device password.

Caution

The password strength of the device can be automatically checked. We highly recommend you change the password of your own choosing (using a minimum of 8 characters, including at least three kinds of following categories: upper case letters, lower case letters, numbers, and special characters) in order to increase the security of your product. And we recommend you change your password regularly, especially in the high security system, changing the password monthly or weekly can better protect your product.

Proper configuration of all passwords and other security settings is the responsibility of the installer and/or end-user.

6. Check **Synchronize Time** to synchronize the device time with the PC running the client after adding the device to the client.
7. Click **Add**.

Chapter 6 Get More Information

iVMS-4200 Management

Scan the QR code below for iVMS-4200 software operations.



Hik-ProConnect Management

Go to <http://hik-proconnect.com> or scan the QR code below for Hik-ProConnect operations.

Hik-ProConnect for Installers



Hik-Connect for Users



