



## Specifications



## Summary

This NDAA/TAA-compliant MEGApix® Ai™ PTZ IP camera provides 3MP resolution at 60fps with 40x optical zoom and edge Ai engine onboard. The camera offers delicate and precise control and movement, with endless 0-360° panning and multiple configurations, giving users clear zoom, instant movement and intelligence.

## Features

- 3MP sensor at real-time 60fps
- Star-Light Plus™ color in near-total darkness technology.
- AI Deep Learning object detection.
- Create up to 40 separate detection zones.
- Easy setup with no manual calibration
- Seamless integration and control with DW Spectrum® IPVMS.
- Reduce false alarms with multiple detection zones and logical rules.
- Increase your recording storage with smart recording and no false alarms.
- High-speed pan, tilt, zoom camera
- PTZ vari-focal p-iris lens with motorized zoom and autofocus for complete remote lens control and focused image any time
- 40x optical zoom and an additional 16x digital zoom for detailed clarity and no pixel loss at extreme zoom-in
- True Wide Dynamic Range (WDR) for clear images in challenging light
- Simultaneous streaming and multiple codec options for smart bandwidth management
- 1148' Smart IR™ with intelligent camera sync for clear B/W images with no need for external light
- Smart DNR™ 3D digital noise reduction reduces noise and ghosting for motion in low-light environments.
- Privacy zones cover sensitive areas in the camera's field of view.
- Endless 360° panning lets the camera move to a target using the shortest path possible.
- PTZ presets, patterns and swings for automated camera operation
- PTZ parking and auto tracking for smart, automated event actions
- Two-way audio for direct communication between the monitoring station and the camera's location.
- Alarm sensor input and relay output for access control integration
- Web server built-in for easy camera management from any browser
- High-power PoE and AC24V for single cable simplified installation (PoE injector included)
- NDAA/TAA compliant for federal and government projects
- IP66- and IK10-rated camera housing built to last
- 2 year warranty

IMAGE	
Image sensor	3MP 1/1.8" CMOS sensor
Active pixels	2304 (H) x 1296(V)
Minimum scene illumination	0.005 lux (color), 0 lux (B/W)
LENS	
Focal length	6.5-260mm, F1.4
Lens type	Vari-focal lens with motorized zoom and auto-focus
Field of view (HFOV/ VFOV)	HFOV: 1.6°-64.1°/ VFOV: 0.83°-33.4°
IR distance	1148t (350m) range
Optical zoom / digital zoom	40x optical zoom, 16x digital zoom
I/O	
Audio in/out and compression	1 input/ 1 output, G.711
Alarm input/output	4x sensor input / 2x alarm output / 1x RS485 port
Event trigger	Motion alarm, sensor input, client disconnection
OPERATIONAL	
Shutter mode	Auto, manual, slow shutter
Shutter speed	1/1 - 1/100,000
Auto gain control	Auto
Day and night	TDN, Auto, day (color), night (B/W)
3D Digital Noise Reduction	Smart DNR™ 3D-DNR
Wide Dynamic Range (WDR)	True WDR
White balance	Yes
Privacy zones	8 programmable privacy masks
Backlight compensation (BLC)	Yes
Mirror and flip	Yes
Alarm notifications	Notifications via email, FTP, alarm output, OSD alert, PTZ preset, recording, HTTP action
PTZ FUNCTION	
Pan range	360° (endless)
Pan speed	Max speed: 250°/sec, Manual speed: 0.065°/sec - 250°/sec
Tilt range	100° (-10°-90°)
Tilt speed	Max speed: 130°/sec, Manual speed: 0.065°/sec - 130°/sec
Preset	500 presets
Swing	8 swing patterns
Pattern	4 patterns
Group	8 groups
Auto parking and tracking	Yes
NETWORK	
LAN	RJ45 (10/100Base-T)
Video compression type	H.265, H.264, MJPEG
Resolution	352x240 - 2304x1296
Frame rate	Max 60fps @ 2304x1296
Video bitrate	Primary: 32Kbps - 16Mbps, Secondary: 32Kbps - 4Mbps
Bitrate control	H.264, H.265: CBR, VBR, Hybrid MJPEG: VBR
Streaming capability	Quad streaming, Primary: H.265, H.264, Secondary x 3: H.265, H.264, MJPEG
IP	IPv4, IPv6
Protocol	TCP, UDP, IGMP(Multicast), ICMP, DHCP, HTTP, HTTPS, FTP, SNMP, SMTP, UPnP, WS-Discovery, Zero Configuration, NTP, SRT, MPEG-TS, RTP, RTSP, RTMP, DDNS
Security	Basic/Digest authentication, HTTPS, IP address filtering, user access log
ONVIF conformance	Yes, profile G, S, T and M
Web viewer	OS: Windows®, Mac® OS, Linux® Browser: Microsoft Edge®, Google Chrome®, Mozilla Firefox®, Safari®
Video management software	DW Spectrum® IPVMS
ENVIRONMENTAL	
Operating temperature	-22°F - 140°F (-30°C - 60°C)
Operating humidity	0-90% RH (non-condensing)
IP rating, IK rating	IP66-rated, IK10 impact-resistant
Other certifications	CE, FCC, RoHS, NDAA, TAA
ELECTRICAL	
Power requirement	24V AC, PoE, adapter included
Power consumption	24V AC: 48.62W, 2.02A PoE: 39.05W, 813mA
MECHANICAL	
Material	Aluminum die-casting bullet housing
Dimensions	8.89" x 14.3" (226 x 364mm)
Weight	12.72 lbs (5.77 kg)
Warranty	2 year warranty



866.446.3595

sales@digital-watchdog.com

www.digital-watchdog.com

Built for Users.™



Accessories (Required. Sold Separately.)



DWC-XPZAWM  
Wall mount bracket



DWC-XPZACM  
Ceiling mount bracket



DWC-XPZACNM  
Corner mount



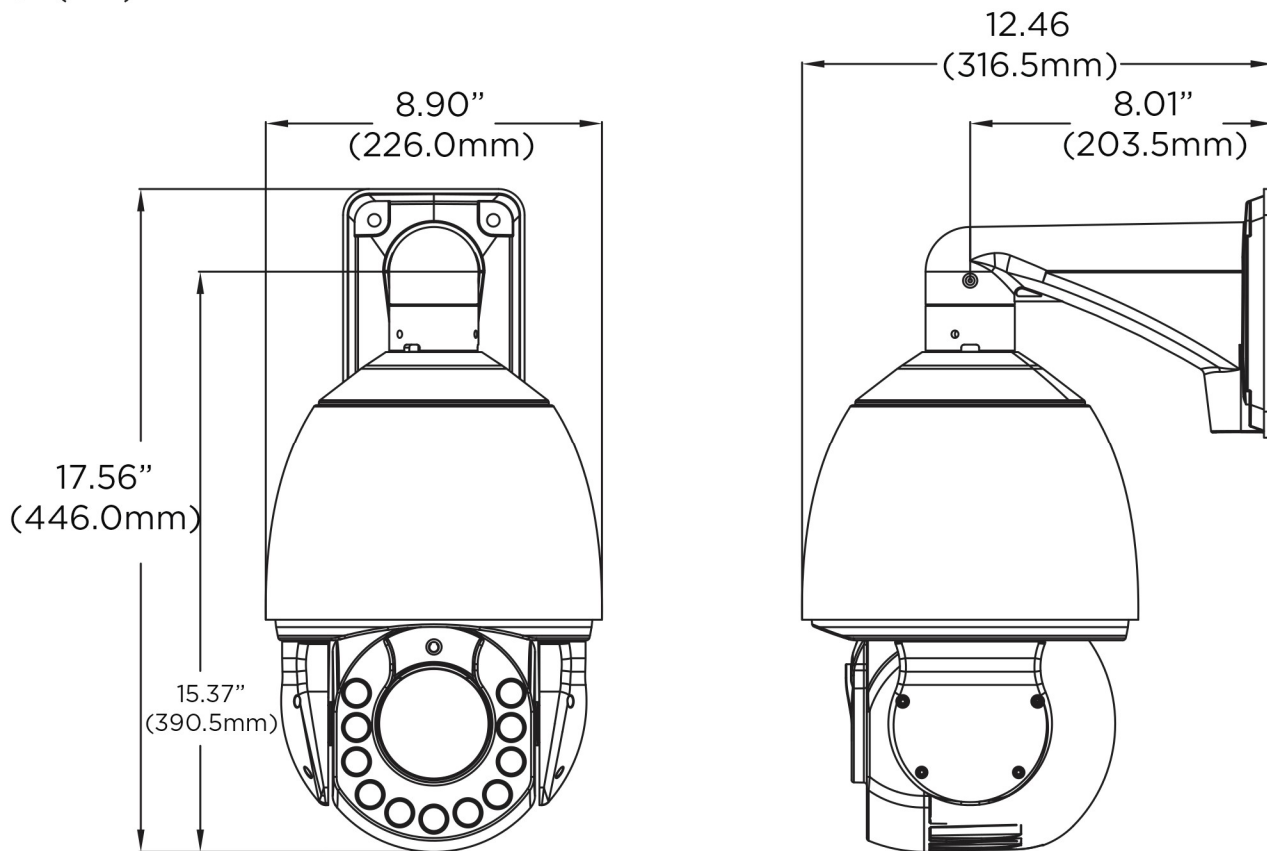
DWC-XPZAPLM  
Pole mount



DWC-PZPARAMW2  
Parapet mount

Dimensions

Unit: Inch (mm)



Built for Users.™

