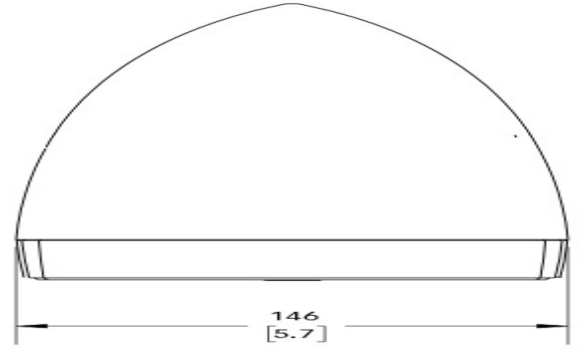
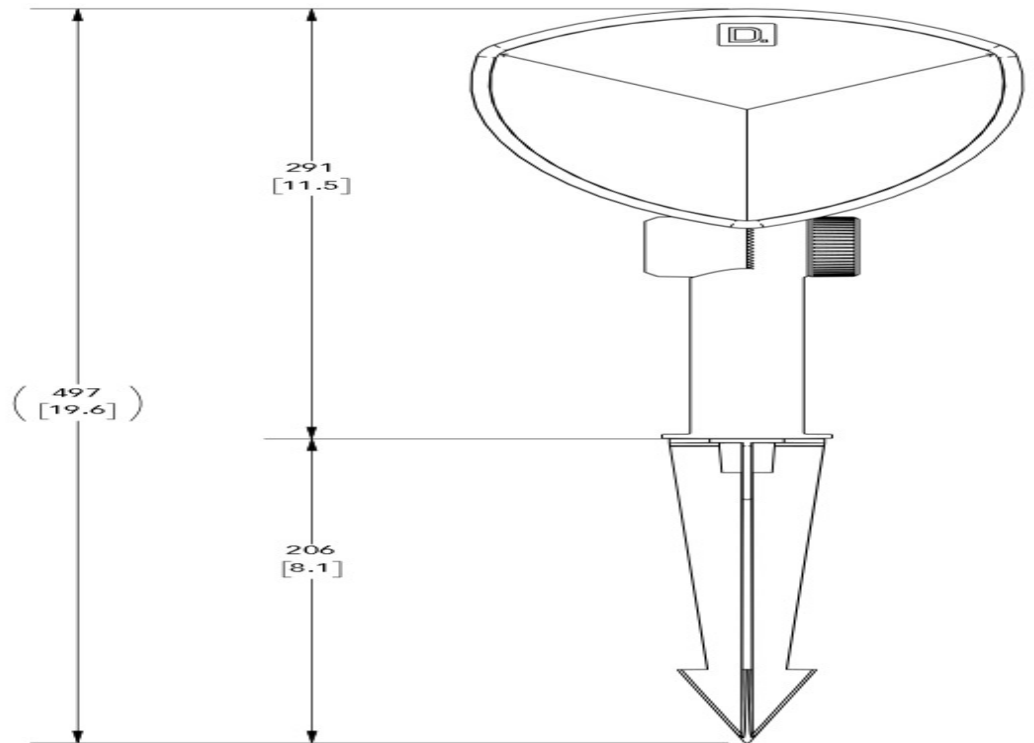


# DEFINITIVE TECHNOLOGY

TOP



FRONT



NOTES:  
1. ALL DIMENSIONS ARE mm [INCHES].

# Dymension Outdoor LS-400 4" Landscape Speaker

SPECIFICATIONS	
	LS-400
Mounting	Ground spike
IP Rating	IP56
Technical Features	Rigid, mineral-filled enclosure
Input	Jacketed single cable pigtail
Drivers	0.75 in aluminum oxide dome tweeter 4 in mineral filled woofer
Frequency Response	135 Hz–21 kHz (-3 dB) 100 Hz–30 kHz (-10 dB)
Sensitivity	76 dB (2.83V/1m)
Nominal Impedance	32Ω
Recommended Amplifier Power	15–60W
Available Colors	Brown
Warranty	5 years
Installed Height Above Ground	11.5 in / 292mm
Dimensions	Width: 5.7 in / 146mm Depth: 7.4 in / 188mm Height: 19.6 in / 498mm
Product Weight	4.6 lb / 2.1 kg
Shipping Weight	12.6 lb / 5.7 kg

