

D.

DEFINITIVE TECHNOLOGY



Dymension CI MAX Series In-Wall Speakers

The Dymension CI™ MAX Series, Definitive Technology's premier installed speaker line, leverages our most advanced acoustic innovations in discreet, adjustable in-ceiling and in-wall speakers. Dymension CI MAX in-wall speakers deliver precise sound for high-performance home theater and whole-home systems, with premium woofers and tweeters; discreet, flush-mount design; and toolless installation. The series includes the DW-MAX SUR, a bipolar, in-wall surround speaker that delivers expansive, room-filling sound in even the largest spaces. With Dymension CI MAX in-wall speakers, it's never been easier to experience the thrills of enveloping sound in any space.

KEY BENEFITS

Toolless Installation

A simple, elegant two-piece mounting system with pivoting "dog" arms allows speakers to be installed without tools, safely and securely, in minutes. Pre-construction brackets are available for all Dymension CI models.

Discreet Design

Integrated frames and baffles; paintable micro-perforated magnetic grilles; and flush, border-free design mean speakers fade into the background for a virtually invisible appearance that's in perfect harmony with your space.

Premium BDSS™ Woofers with Linear Response Waveguide™

Light, stiff, mineral-filled woofers feature Definitive Technology's revolutionary Balanced Double Surround System (BDSS™), which improves driver excursion and output, delivering superior punchiness and detail and a more even midrange throughout the room. Our patented Linear Response Waveguide™ extends both on-axis and off-axis frequency dispersion for more natural midrange and precise imaging and an open, airy sound.

Pivoting Aluminum Oxide Dome Tweeter

An ultralight, rigid, 1" aluminum oxide dome tweeter produces crisp, distortion-free highs that extend far beyond the range of human hearing. And because it's aimable, you can place speakers in convenient locations while directing sound precisely where it matters most.

Tweeter Attenuation Switch

A three-position high-frequency attenuation switch (-2 dB, flat, +2 dB) adjusts tweeter response to compensate for acoustic issues like overly bright- or dull-sounding rooms.

Bipolar Driver Array

The Dymension CI DW-MAX SUR in-wall bipolar surround speaker fills the room with expansive, room-filling sound. A bipolar array—a signature Definitive Technology design—orients both woofers and tweeters on opposite-facing horizontal planes. This directs sound in more directions than traditional speakers, energizing the room to create an expansive sound field.

Timbre-Matched

Combine timbre-matched Dymension, Dymension CI, and Mythos® speakers and Descend Series subwoofers to design high-performance home theater or whole-home systems of any size and scale.

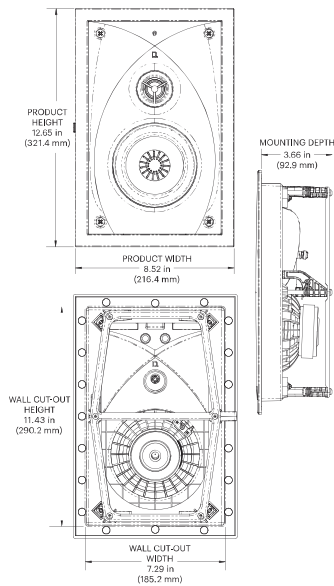
PRODUCT FEATURES

- Effortless, toolless installation; pre-construction brackets available
- Audiophile-quality sound in in-wall speakers
- The compact, 6×9 aspect-ratio DW-45 MAX offers a subtle, stylish small-space solution
- DW-MAX SUR's bipolar driver array produces immersive, room-filling sound
- Advanced crossover optimizes drivers for balanced sound
- Pivoting tweeter aims highs wherever you want them
- CI Series is IP55-rated for use outdoors and in high-humidity spaces
- BDSS woofer produces rich, natural mids
- Tailor sound with a three-way high-frequency adjustment switch
- Low-profile, borderless design vanishes into any room
- Acoustically transparent paintable micro-perforated grille
- Timbre-matched with Definitive Technology Dymension and Mythos speakers

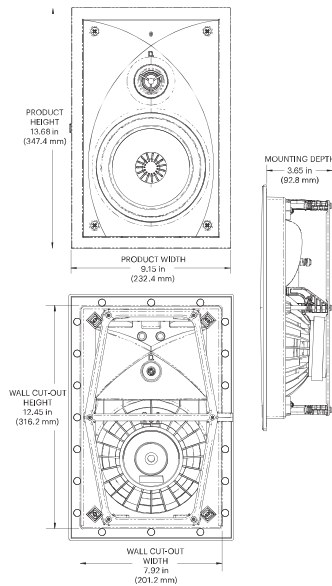
Dymension CI™ MAX Series In-Wall Speakers

SPECIFICATIONS			
	DW-45 MAX	DW-65 MAX	DW-MAX SUR
Product Dimensions (W × H × D)	8.52 × 12.65 × 3.95 in (216.4 × 321.4 × 100.3 mm)	9.15 × 13.68 × 3.95 in (232.4 × 347.4 × 100.3 mm)	9.50 × 18.64 × 3.95 in (241.4 × 473.4 × 100.3 mm)
Cut-Out Dimensions (W × H)	7.29 × 11.43 in (185.2 × 290.2 mm)	7.92 × 12.45 in (201.2 × 316.2 mm)	8.28 × 17.37 in (210.2 × 441.2 mm)
Mounting Depth	3.66 in (92.9 mm)	3.65 in (92.8 mm)	3.66 in (92.9 mm)
Weight	4.12 lbs (1.87 kg)	5.09 lbs (2.31 kg)	7.17 lbs (3.25 kg)
Color / Material	White Paintable Grille	White Paintable Grille	White Paintable Grille
Grille Material	Micro-Perforated Magnetic Grille	Micro-Perforated Magnetic Grille	Micro-Perforated Magnetic Grille
Tweeter	1 in Pivoting Aluminum Oxide Dome Tweeter	1 in Pivoting Aluminum Oxide Dome Tweeter	(2) 1 in Aluminum Oxide Dome Tweeter
Midrange/Midbass	4.5 in Mineral-Filled Poly BDSS™ with Linear Response Waveguide™	6.5 in Mineral-Filled Poly BDSS™ with Linear Response Waveguide™	(2) 5.25 in Mineral-Filled Poly BDSS™ with Linear Response Waveguide™
Frequency Response	38 Hz–30 kHz (-10 dB) 60 Hz–25 kHz (-3 dB)	34 Hz–30 kHz (-10 dB) 56 Hz–25 kHz (-3 dB)	34 Hz–30 kHz (-10 dB) 52 Hz–25 kHz (-3 dB)
Nominal Impedance	6Ω	6Ω	4Ω
Sensitivity	83dB (2.83V/1m)	85dB (2.83V/1m)	89dB (2.83V/1m)
Recommended Amplifier Power	20-120W	20-150W	20-200W
IP (Ingress Protection) Rating	IP55	IP55	IP55
Warranty	5 years	5 years	5 years
Included Accessories	Grille, Literature Pack (QSG/ Registration Card/Warranty), Hole Cutting Guide	Grille, Literature Pack (QSG/ Registration Card/Warranty), Hole Cutting Guide	Grille, Literature Pack (QSG/ Registration Card/Warranty), Hole Cutting Guide

DW-45 MAX



DW-65 MAX



DW-MAX SUR

