

It matters most:

You can place speakers in convenient locations while directing sound precisely where
you want it to go. And because it's aimable,
the aluminum oxide dome tweeter produces crisp, distortion-free
[piloting aluminum oxide dome tweeter](#)

imaging and an open, airy sound.

On-axis and off-axis frequency dispersion for more natural midrange and precise
throughout the room. Our patented Linear Response Waveguide™ extends both
and output, delivering superior punchiness and detail and a more even midrange.
Balanced Double Surround System (BDSS™), which improves driver excursion
limit, stiff mineral-filled woofers feature Definitive Technology's revolutionary
[premium BDSS™ woofers with Linear Response Waveguide™](#)

of harmony with your space.

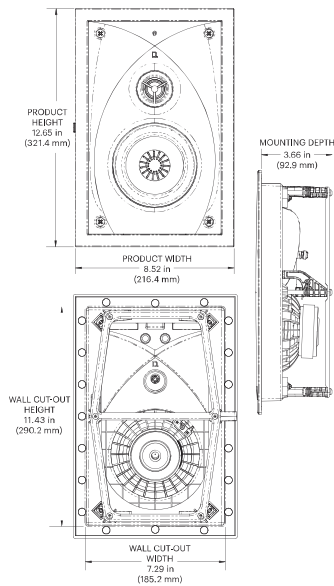
DEFINITIVE TECHNOLOGY



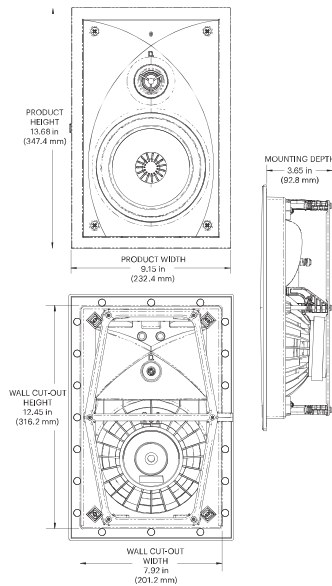
Dymension CI™ MAX Series In-Wall Speakers

SPECIFICATIONS			
	DW-45 MAX	DW-65 MAX	DW-MAX SUR
Product Dimensions (W × H × D)	8.52 × 12.65 × 3.95 in (216.4 × 321.4 × 100.3 mm)	9.15 × 13.68 × 3.95 in (232.4 × 347.4 × 100.3 mm)	9.50 × 18.64 × 3.95 in (241.4 × 473.4 × 100.3 mm)
Cut-Out Dimensions (W × H)	7.29 × 11.43 in (185.2 × 290.2 mm)	7.92 × 12.45 in (201.2 × 316.2 mm)	8.28 × 17.37 in (210.2 × 441.2 mm)
Mounting Depth	3.66 in (92.9 mm)	3.65 in (92.8 mm)	3.66 in (92.9 mm)
Weight	4.12 lbs (1.87 kg)	5.09 lbs (2.31 kg)	7.17 lbs (3.25 kg)
Color / Material	White Paintable Grille	White Paintable Grille	White Paintable Grille
Grille Material	Micro-Perforated Magnetic Grille	Micro-Perforated Magnetic Grille	Micro-Perforated Magnetic Grille
Tweeter	1 in Pivoting Aluminum Oxide Dome Tweeter	1 in Pivoting Aluminum Oxide Dome Tweeter	(2) 1 in Aluminum Oxide Dome Tweeter
Midrange/Midbass	4.5 in Mineral-Filled Poly BDSS™ with Linear Response Waveguide™	6.5 in Mineral-Filled Poly BDSS™ with Linear Response Waveguide™	(2) 5.25 in Mineral-Filled Poly BDSS™ with Linear Response Waveguide™
Frequency Response	38 Hz–30 kHz (-10 dB) 60 Hz–25 kHz (-3 dB)	34 Hz–30 kHz (-10 dB) 56 Hz–25 kHz (-3 dB)	34 Hz–30 kHz (-10 dB) 52 Hz–25 kHz (-3 dB)
Nominal Impedance	6Ω	6Ω	4Ω
Sensitivity	83dB (2.83V/1m)	85dB (2.83V/1m)	89dB (2.83V/1m)
Recommended Amplifier Power	20-120W	20-150W	20-200W
IP (Ingress Protection) Rating	IP55	IP55	IP55
Warranty	5 years	5 years	5 years
Included Accessories	Grille, Literature Pack (QSG/ Registration Card/Warranty), Hole Cutting Guide	Grille, Literature Pack (QSG/ Registration Card/Warranty), Hole Cutting Guide	Grille, Literature Pack (QSG/ Registration Card/Warranty), Hole Cutting Guide

DW-45 MAX



DW-65 MAX



DW-MAX SUR

