

# Dymension CI™ PRO Series In-Ceiling Speakers

The Dymension CI PRO Series leverages years of research and engineering to innovate an in-wall/in-ceiling speaker line that delivers the Definitive Technology sound and performance you expect, for every budget. Our in-ceiling speakers deliver clear, consistent sound for both home and commercial applications, with features like pivoting tweeters, discreet design, and IP55-rated weather protection.

## KEY BENEFITS

### Toolless Installation

A simple, elegant two-piece mounting system with pivoting “dog” arms allows speakers to be installed without tools, safely and securely, in minutes. Pre-construction brackets are available for all Dymension CI models.

### Discreet Design

Integrated frames and baffles; paintable, micro-perforated magnetic grilles and a flush, border-free design mean speakers fade into the background for a virtually invisible appearance that’s in perfect harmony with your space.

### Mineral-Filled Woofer

A light, rigid woofer reproduces rich, clear music and movie soundtracks. Choose the DC-65 PRO, with a 6.5-inch woofer, or for even more powerful sound and deeper bass, the 8-inch DC-80 PRO.

### Pivoting Aluminum Oxide Dome Tweeter

A 1” aimable tweeter lets you place speakers in convenient locations while aiming highs precisely where they matter most.

### Single-Speaker Stereo Solution

The DC-65 PRO SI, with its two inputs and dual voice coil woofer, produces stereo sound in a single round ceiling speaker. It fits in small spaces that can be impractical for speaker pairs, like kitchens, showers, entryways, and under eaves.

### IP55-Rated Construction

With IP55-rated protection against dust and low-pressure water streams, you can bring premium sound to any space, including high-humidity environments and outdoor areas.

### Timbre-Matched

Combine timbre-matched Dymension™, Dymension CI, and Mythos® speakers and Descend Series subwoofers to design high-performance home theater or whole-home systems of any size and scale.

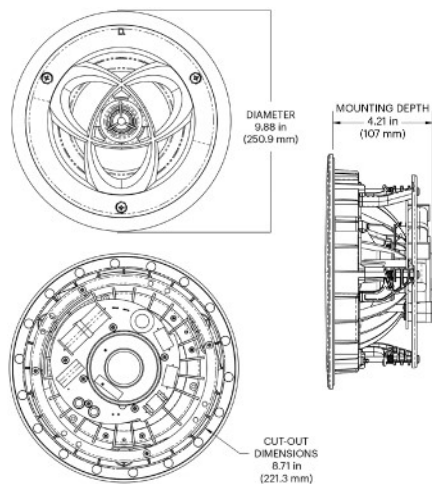
## PRODUCT FEATURES

- Effortless, toolless installation; pre-construction brackets available
- Classic Definitive Technology sound in an in-ceiling speaker
- Two speaker sizes for flexibility in power and placement
- The DC-65 PRO features a shallow mounting depth of just 3.5”
- DC-65 PRO SI model allows you to bring big, stereo sound to even the most compact spaces
- Pivoting tweeters aim highs where you want them
- Mineral-filled woofer produces rich balanced mids
- Advanced crossover optimizes drivers for balanced sound
- Acoustically transparent paintable microperforated grille
- IP55-rated for use outdoors and in high-humidity environments
- Timbre-matched with Dymension™ and Mythos® speakers

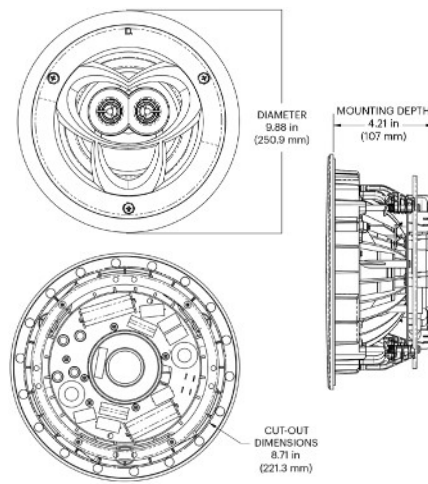
# Dymension CI™ PRO Series In-Ceiling Speakers

SPECIFICATIONS			
	DC-65 PRO	DC-65 PRO SI	DC-80 PRO
Product Dimensions (Diameter)	9.88 in (250.9 mm)	9.88 in (250.9 mm)	11.80 in (299.8 mm)
Cut-Out Dimensions (Diameter)	8.71 in (221.3 mm)	8.71 in (221.3 mm)	10.57 in (268.6 mm)
Mounting Depth	4.21 in (107 mm)	4.21 in (107 mm)	4.97 in (126.4 mm)
Weight	3.79 lbs (1.72 kg)	4.23 lbs (1.92 kg)	5.47 lbs (2.48 kg)
Color / Material	White Paintable Grille	White Paintable Grille	White Paintable Grille
Grille Material	Micro-Perforated Magnetic Grille	Micro-Perforated Magnetic Grille	Micro-Perforated Magnetic Grille
Tweeter	1 in Pivoting Aluminum Oxide Dome Tweeter	(2) 3/4 in Pivoting Aluminum Oxide Dome Tweeter	1 in Pivoting Aluminum Oxide Dome Tweeter
Midrange/Midbass	6.5 in Mineral Filled Poly	6.5 in Mineral Filled Poly	8 in Mineral Filled Poly
Frequency Response	31 Hz–30 kHz (-10 dB) 53 Hz–25 kHz (-3 dB)	23 Hz–30 kHz (-10 dB) 36 Hz–25 kHz (-3 dB)	26 Hz–30 kHz (-10 dB) 42 Hz–25 kHz (-3 dB)
Nominal Impedance	6Ω	6Ω	6Ω
Sensitivity	88dB (2.83V/1m)	89dB (2.83V/1m)	88dB (2.83V/1m)
Recommended Amplifier Power	20-120W	20-120W	20-120W
IP Rating (Ingress Protection)	IP55	IP55	IP55
Warranty	5 years	5 years	5 years
Included Accessories	Grille, Literature Pack (QSG/Registration Card/Warranty), Hole Cutting Guide	Grille, Literature Pack (QSG/Registration Card/Warranty), Hole Cutting Guide	Grille, Literature Pack (QSG/Registration Card/Warranty), Hole Cutting Guide

DC-65 PRO



DC-65 PRO SI



DC-80 PRO

