



DEFINITIVE TECHNOLOGY



## Dymension CI™ MAX Series In-Ceiling Speakers

The Dymension CI™ MAX Series, Definitive Technology's premier installed speaker line, leverages our most advanced acoustic innovations in discreet, adjustable in-ceiling and in-wall speakers. Dymension CI MAX in-ceiling speakers deliver precise sound for high-performance home theater and whole-home systems, with features like our patented pivoting woofer, flush-mount design, and robust weather protection. The series includes the Dymension CI DC-80 MAX SUR, an in-ceiling surround speaker that delivers expansive overhead sound in even the largest spaces.

### KEY BENEFITS

#### Toolless Installation

A simple, elegant two-piece mounting system with pivoting "dog" arms allows speakers to be installed without tools, safely and securely, in minutes. Pre-construction brackets are available for all Dymension CI models.

#### Discreet Design

Integrated frames and baffles; paintable, micro-perforated magnetic grilles; and a flush, border-free design mean speakers fade into the background for a virtually invisible appearance that's in perfect harmony with your space.

#### Pivoting BDSS™ Woofers with Linear Response Waveguide™

Dymension CI MAX Series in-ceiling speakers all feature our patented pivoting woofer design which allow for speakers to be installed virtually anywhere—even sloped and coffered ceilings—while pointing sound exactly where you want it. The light, stiff, mineral-filled woofers feature Definitive Technology's revolutionary Balanced Double Surround System (BDSS™), which improves driver excursion and output, delivering superior punchiness and detail and a more even midrange throughout the room. Our patented Linear Response Waveguide™ extends both on-axis and off-axis frequency dispersion for more natural midrange and precise imaging and an open, airy sound.

#### Pivoting Aluminum Oxide Dome Tweeter

An ultralight, rigid, 1" aluminum oxide dome tweeter produces crisp, distortion-free highs that extend far beyond the range of human hearing. And because it's aimable, you can place speakers in convenient locations while aiming sound precisely where it matters most.

#### Stealth Surround Sound

The Dymension CI™ DC-80 MAX SUR premium in-ceiling surround speaker delivers expansive overhead sound for high-performance home theater systems, thanks to pivoting drivers, dual tweeters, and discreet aesthetics.

#### Timbre-Matched

Combine timbre-matched Dymension™, Dymension CI, and Mythos® speakers and Descend Series subwoofers to design high-performance home theater or whole-home systems of any size and scale.

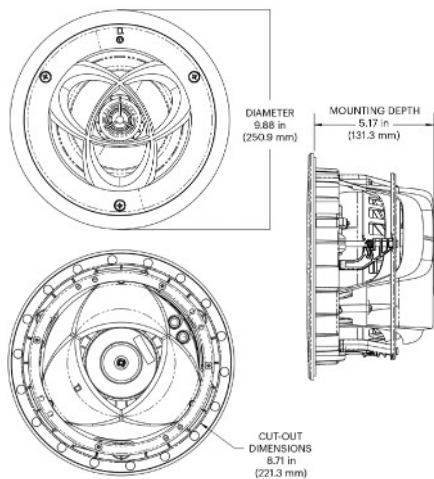
### PRODUCT FEATURES

- Effortless, toolless installation; pre-construction brackets available
- Audiophile-quality sound in in-ceiling speakers
- Two speaker sizes for flexibility in power and strategic placement
- DC-80 MAX SUR for expansive overhead surround sound
- Advanced crossover optimizes drivers for balanced sound
- Pivoting tweeters aim highs wherever you want them
- Patented pivoting BDSS™ woofer directs rich sound anywhere
- Tailor sound with a three-way high-frequency adjustment switch
- Low-profile, borderless design vanishes into any room
- Acoustically transparent paintable microperforated grille
- CI Series is IP55-rated for use outdoors and in high-humidity spaces
- Timbre-matched with Dymension™ and Mythos® speakers

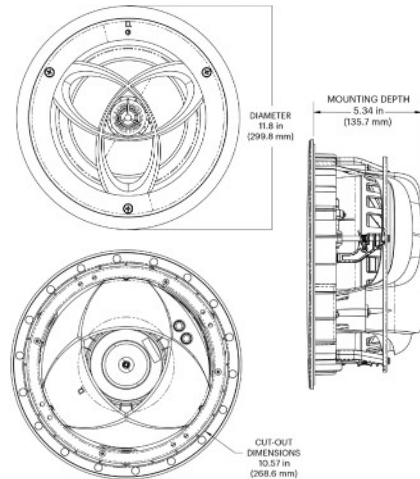
# Dymension CI™ MAX Series In-Ceiling Speakers

SPECIFICATIONS			
	DC-65 MAX	DC-80 MAX	DC-80 MAX SUR
Product Dimensions (Diameter)	9.88 in (250.9 mm)	11.80 in (299.8 mm)	11.80 in (299.8 mm)
Cut-Out Dimensions (Diameter)	8.71 in (221.3 mm)	10.57 in (268.6 mm)	10.57 in (268.6 mm)
Mounting Depth	5.17 in (131.3 mm)	5.34 in (135.7 mm)	5.34 in (135.7 mm)
Weight	4.89 lbs (2.22 kg)	6.48 lbs (2.94 kg)	6.66 lbs (3.02 kg)
Color / Material	White Paintable Grille	White Paintable Grille	White Paintable Grille
Grille Material	Micro-Perforated Magnetic Grille	Micro-Perforated Magnetic Grille	Micro-Perforated Magnetic Grille
Tweeter	1 in Pivoting Aluminum Oxide Dome Tweeter	1 in Pivoting Aluminum Oxide Dome Tweeter	(2) 1 in Pivoting Aluminum Oxide Dome Tweeter
Midrange/Midbass	6.5 in Mineral Filled Poly BDSS™ with Linear Response Waveguide™	8 in Mineral Filled Poly BDSS™ with Linear Response Waveguide™	8 in Mineral Filled Poly BDSS™ with Linear Response Waveguide™
Frequency Response	31 Hz–30 kHz (-10 dB) 49 Hz–25 kHz (-3 dB)	26 Hz–30 kHz (-10 dB) 43 Hz–25 kHz (-3 dB)	23 Hz–30 kHz (-10 dB) 36 Hz–25 kHz (-3 dB)
Nominal Impedance	6Ω	6Ω	6Ω
Sensitivity	84dB (2.83V/1m)	88dB (2.83V/1m)	85dB (2.83V/1m)
Recommended Amplifier Power	20-150W	20-150W	20-150W
IP Rating (Ingress Protection)	IP55	IP55	IP55
Warranty	5 years	5 years	5 years
Included Accessories	Grille, Literature Pack (QSG/Registration Card/Warranty), Hole Cutting Guide	Grille, Literature Pack (QSG/Registration Card/Warranty), Hole Cutting Guide	Grille, Literature Pack (QSG/Registration Card/Warranty), Hole Cutting Guide

DC-65 MAX



DC-80 MAX



DC-80 MAX SUR

