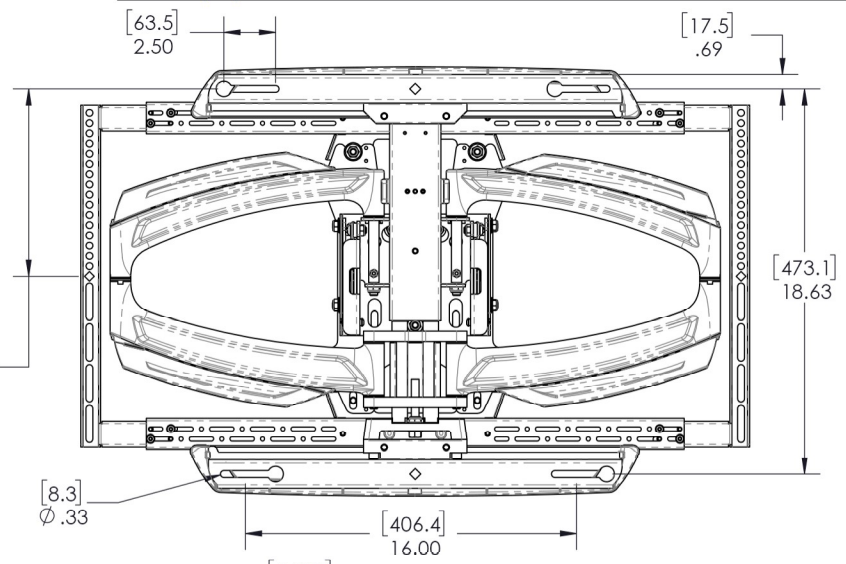
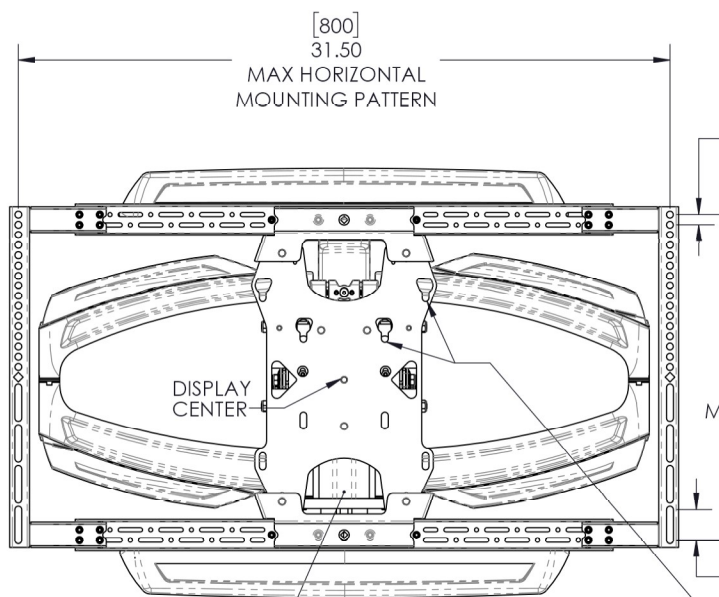


[53.3]
2.10
DISTANCE FROM WALL
WITH INTERFACE

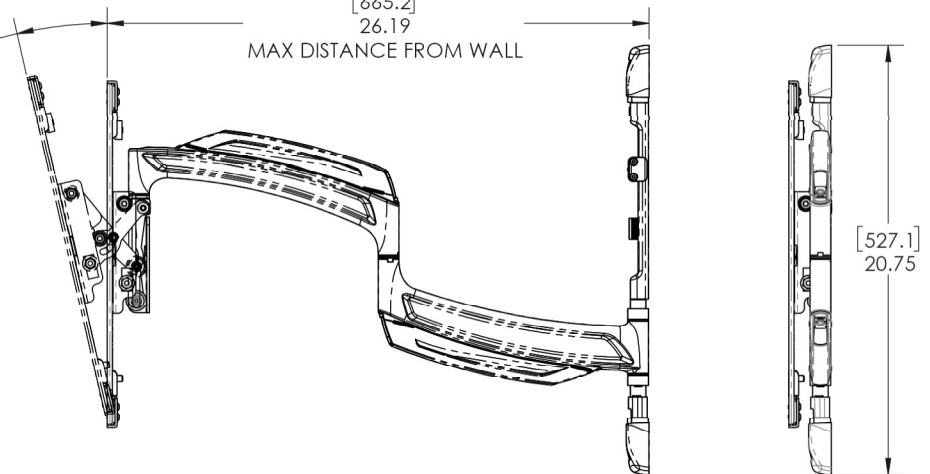
[50.8]
2.00
WITHOUT INTERFACE



[229.4]
9.03
TO CENTER
OF DISPLAY



[665.2]
26.19
MAX DISTANCE FROM WALL



+/- 7.00" [177.8]
LEFT/RIGHT
ADJUSTMENT

100 X 100
200 X 200
PATTERNS
W/O INTERFACE

THE INFORMATION AND DESIGNS CONTAINED IN THIS DRAWING ARE CONFIDENTIAL AND THE PROPRIETARY PROPERTY OF LEGRAND | AV. NEITHER THIS DESIGN NOR ANY INFORMATION CONTAINED IN THIS DRAWING MAY BE REPRODUCED OR DISCLOSED TO OTHERS WITHOUT THE EXPRESS WRITTEN CONSENT OF LEGRAND | AV.

CAD GENERATED DRAWING. DO NOT MANUALLY UPDATE.			<p>6436 CITY WEST PKWY EDEN PRAIRIE, MN 55344 PHONE: 956-977-3901 FAX: 977-894-6918</p>	REV. 02
DRAWN BY	MW	2/3/2016		
ENG APPROVAL			DESCRIPTION	TS525TU
MFG APPROVAL			MODEL NO.	TS525TU
QA APPROVAL			SCALE	1:6
SHEET 1 OF 4			SIZE	B
			DWG. NO.	TECH-000750