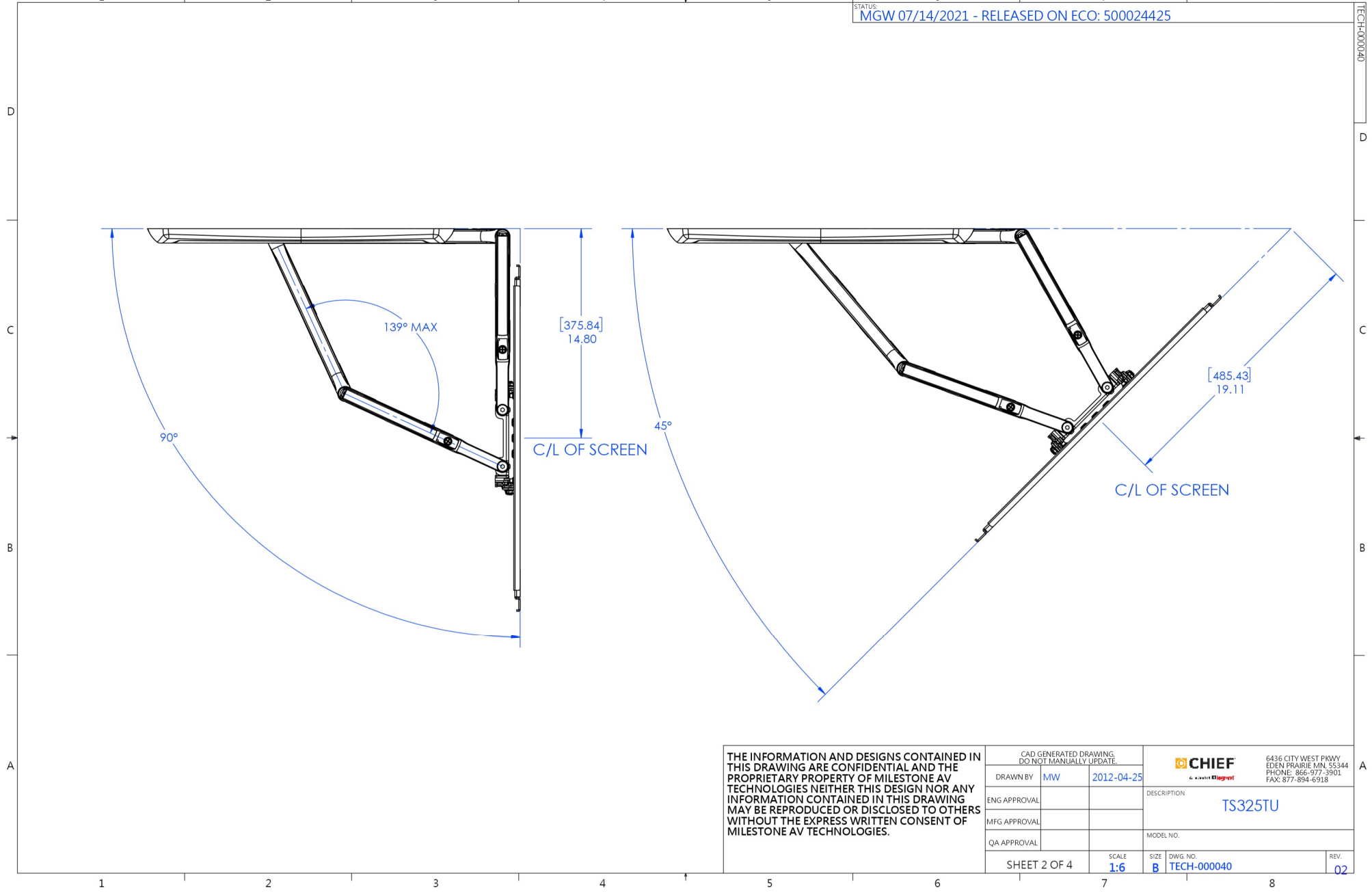


THE INFORMATION AND DESIGNS CONTAINED IN THIS DRAWING ARE CONFIDENTIAL AND THE PROPRIETARY PROPERTY OF MILESTONE AV TECHNOLOGIES NEITHER THIS DESIGN NOR ANY INFORMATION CONTAINED IN THIS DRAWING MAY BE REPRODUCED OR DISCLOSED TO OTHERS WITHOUT THE EXPRESS WRITTEN CONSENT OF MILESTONE AV TECHNOLOGIES.

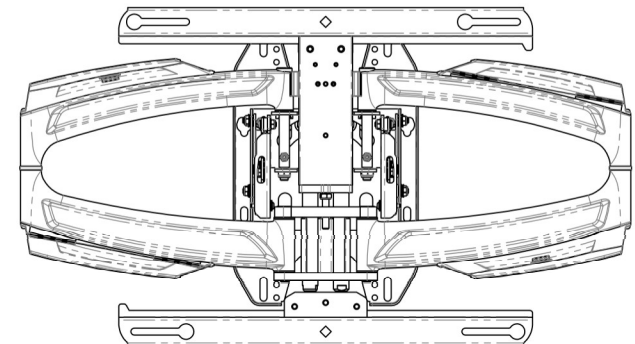
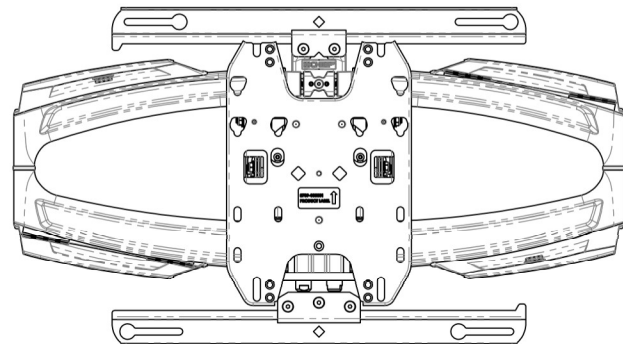
CAD GENERATED DRAWING. DO NOT MANUALLY UPDATE.			<p>6436 CITY WEST PKWY EDEN PRAIRIE, MN, 55344 PHONE: 866-977-3901 FAX: 877-584-6918</p>
DRAWN BY	MW	2012-04-25	
ENG APPROVAL			DESCRIPTION
MFG APPROVAL			TS325TU
QA APPROVAL			MODEL NO.
SHEET 1 OF 4		SCALE 1:6	SIZE DWG. NO. B TECH-000040
			REV. 02



THE INFORMATION AND DESIGNS CONTAINED IN THIS DRAWING ARE CONFIDENTIAL AND THE PROPRIETARY PROPERTY OF MILESTONE AV TECHNOLOGIES NEITHER THIS DESIGN NOR ANY INFORMATION CONTAINED IN THIS DRAWING MAY BE REPRODUCED OR DISCLOSED TO OTHERS WITHOUT THE EXPRESS WRITTEN CONSENT OF MILESTONE AV TECHNOLOGIES.

CAD GENERATED DRAWING. DO NOT MANUALLY UPDATE.				6436 CITY WEST PKWY EDEN PRAIRIE, MN 55344 PHONE: 866-977-3901 FAX: 877-894-6918
DRAWN BY	MW	2012-04-25		
ENG APPROVAL			DESCRIPTION	TS325TU
MFG APPROVAL			MODEL NO.	
QA APPROVAL			SCALE	1:6
SHEET 2 OF 4			SIZE	B
			DWG. NO.	TECH-000040
			REV.	02

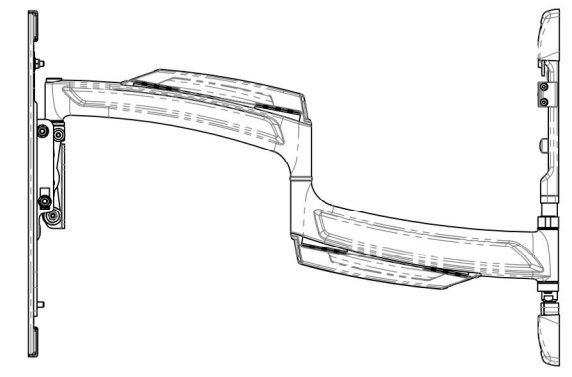
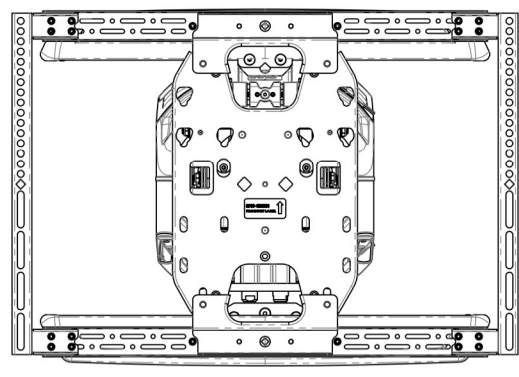
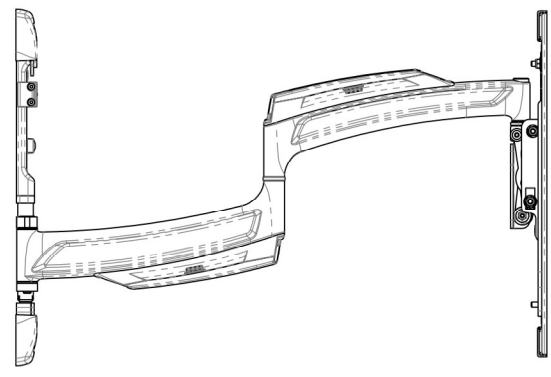
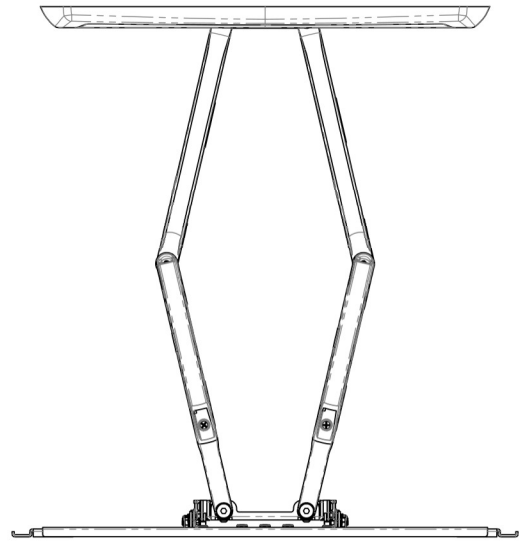
D
C
B
A




THE INFORMATION AND DESIGNS CONTAINED IN THIS DRAWING ARE CONFIDENTIAL AND THE PROPRIETARY PROPERTY OF MILESTONE AV TECHNOLOGIES NEITHER THIS DESIGN NOR ANY INFORMATION CONTAINED IN THIS DRAWING MAY BE REPRODUCED OR DISCLOSED TO OTHERS WITHOUT THE EXPRESS WRITTEN CONSENT OF MILESTONE AV TECHNOLOGIES.

CAD GENERATED DRAWING. DO NOT MANUALLY UPDATE.			 6436 CITY WEST PKWY EDEN PRAIRIE, MN 55344 PHONE: 956-977-3501 FAX: 956-977-4918	
DRAWN BY	MW	2012-04-25		
ENG APPROVAL			DESCRIPTION	
MFG APPROVAL			TS325TU	
QA APPROVAL			MODEL NO.	
SHEET 3 OF 4		SCALE 1:6	SIZE DWG. NO. B TECH-000040	REV. 02

1 2 3 4 5 6 7 8



THE INFORMATION AND DESIGNS CONTAINED IN THIS DRAWING ARE CONFIDENTIAL AND THE PROPRIETARY PROPERTY OF MILESTONE AV TECHNOLOGIES NEITHER THIS DESIGN NOR ANY INFORMATION CONTAINED IN THIS DRAWING MAY BE REPRODUCED OR DISCLOSED TO OTHERS WITHOUT THE EXPRESS WRITTEN CONSENT OF MILESTONE AV TECHNOLOGIES.

CAD GENERATED DRAWING. DO NOT MANUALLY UPDATE.			 6436 CITY WEST PKWY EDEN PRAIRIE, MN, 55344 PHONE: 866-977-3901 FAX: 877-894-6918	
DRAWN BY	MW	2012-04-25		
ENG APPROVAL			DESCRIPTION	
MFG APPROVAL			TS325TU	
QA APPROVAL			MODEL NO.	
SHEET 4 OF 4		SCALE 1:6	SIZE DWG. NO. B TECH-000040	REV. 02