

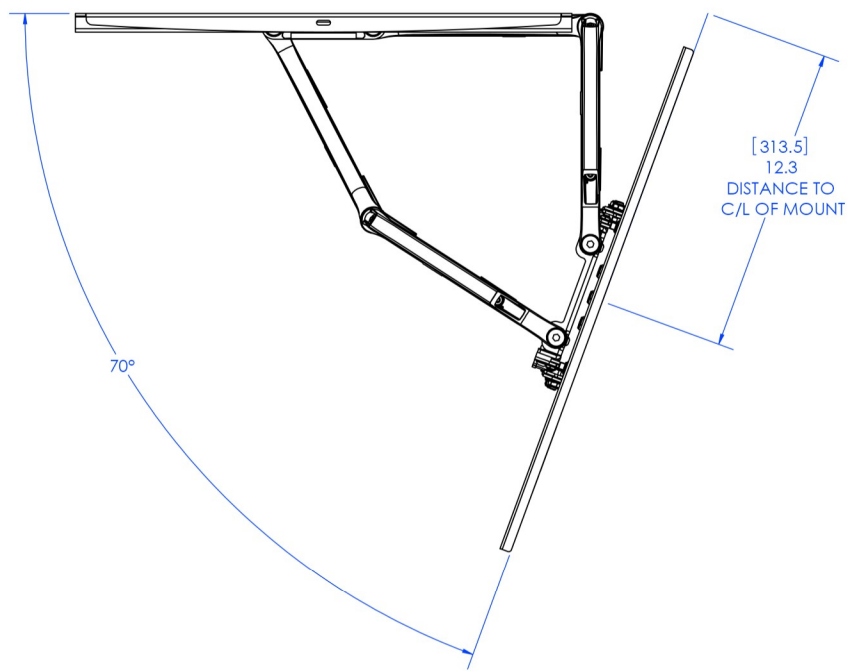
ALIGN CENTER DIAMOND
ON CENTER OF SCREEN

[400]
15.75
MAX VERTICAL MOUNTING PATTERN

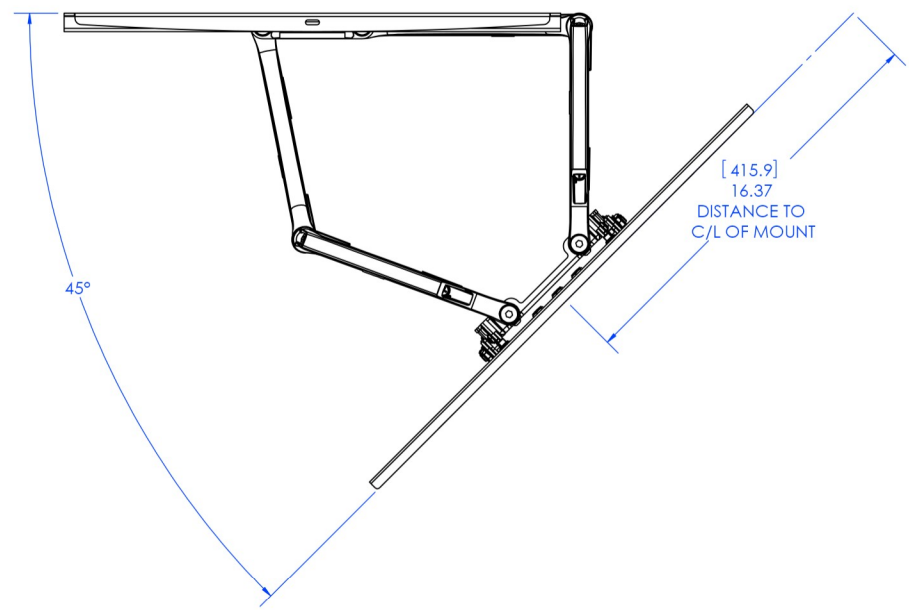
THE INFORMATION AND DESIGNS CONTAINED IN THIS DRAWING ARE CONFIDENTIAL AND THE PROPRIETARY PROPERTY OF MILESTONE AV TECHNOLOGIES NEITHER THIS DESIGN NOR ANY INFORMATION CONTAINED IN THIS DRAWING MAY BE REPRODUCED OR DISCLOSED TO OTHERS WITHOUT THE EXPRESS WRITTEN CONSENT OF MILESTONE AV TECHNOLOGIES.

CAD GENERATED DRAWING, DO NOT MANUALLY UPDATE.		CHIEF	6436 CITY WEST PKWY EDEN PRAIRIE, MN, 55344 PHONE: 952-977-3901 FAX: 952-994-6918
DRAWN BY	MW 4/11/2012		DESCRIPTION
ENG APPROVAL		MODEL NO.	
MFG APPROVAL		SCALE	1:7
QA APPROVAL		SIZE	B
SHEET 1 OF 2		DWG. NO.	TECH-000035
			REV. 00

MAXIMUM ANGLE



MAXIMUM CLEARANCE AT 45°



THE INFORMATION AND DESIGNS CONTAINED IN THIS DRAWING ARE CONFIDENTIAL AND THE PROPRIETARY PROPERTY OF MILESTONE AV TECHNOLOGIES NEITHER THIS DESIGN NOR ANY INFORMATION CONTAINED IN THIS DRAWING MAY BE REPRODUCED OR DISCLOSED TO OTHERS WITHOUT THE EXPRESS WRITTEN CONSENT OF MILESTONE AV TECHNOLOGIES.

CAD GENERATED DRAWING, DO NOT MANUALLY UPDATE.				6436 CITY WEST PKWY EDEN PRAIRIE, MN, 55344 PHONE: 956-977-3901 FAX: 977-894-6918	
DRAWN BY	MW	4/11/2012			
ENG APPROVAL			DESCRIPTION	TS318TU	
MFG APPROVAL			MODEL NO.		
QA APPROVAL			SCALE	1:5	
SHEET 2 OF 2		SIZE	B	DWG. NO.	TECH-000035
				REV.	00