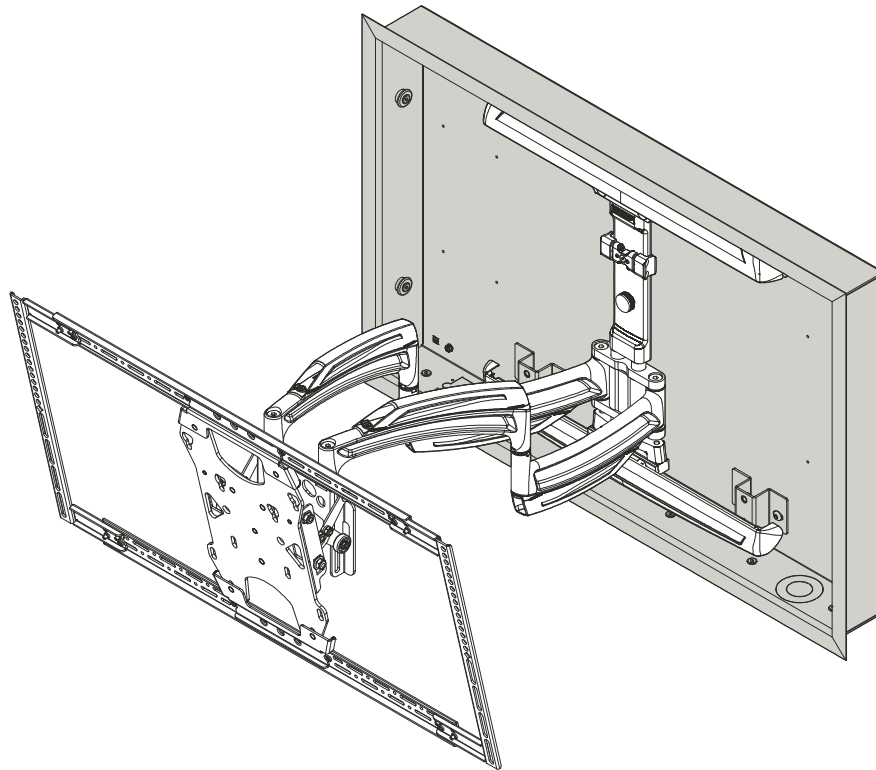


---

# INSTALLATION INSTRUCTIONS

---



---

## THININSTALL™ IN-WALL ENCLOSURE

---

## DISCLAIMER

Legrand | AV and its affiliated corporations and subsidiaries (collectively "Legrand | AV"), intend to make this manual accurate and complete. However, Legrand | AV makes no claim that the information contained herein covers all details, conditions or variations, nor does it provide for every possible contingency in connection with the installation or use of this product. The information contained in this document is subject to change without notice or obligation of any kind. Legrand | AV makes no representation of warranty, expressed or implied, regarding the information contained herein. Legrand | AV assumes no responsibility for accuracy, completeness or sufficiency of the information contained in this document.

## DEFINITIONS

**MOUNTING SYSTEM:** A MOUNTING SYSTEM is the primary Chief product to which an accessory and/or component is attached.

**ACCESSORY:** AN ACCESSORY is the secondary Chief product which is attached to a primary Chief product, and may have a component attached or setting on it.

**COMPONENT:** A COMPONENT is an audiovisual item designed to be attached or resting on an accessory or mounting system such as a video camera, CPU, screen, display, projector, etc.



**WARNING:** A WARNING alerts you to the possibility of serious injury or death if you do not follow the instructions.



**CAUTION:** A CAUTION alerts you to the possibility of damage or destruction of equipment if you do not follow the corresponding instructions.



## IMPORTANT SAFETY INSTRUCTIONS!



**WARNING:** Failure to read, thoroughly understand, and follow all instructions can result in serious personal injury, damage to equipment, or voiding of factory warranty! It is the installer's responsibility to make sure all accessories are properly assembled and installed using the instructions provided.



**WARNING:** Failure to provide adequate structural strength for this accessory can result in serious personal injury or damage to equipment! It is the installer's responsibility to make sure the structure to which this accessory is attached can support five times the combined weight of all equipment. Reinforce the structure as required before installing the accessory. The wall to which the mount is being attached may have a maximum drywall thickness of 5/8" (1.6cm).



**WARNING:** Exceeding the weight capacity can result in serious personal injury or damage to equipment! It is the installer's responsibility to make sure the structure to which this accessory is attached can support the combined weight of the box and all equipment not to exceed 200 lbs (90.7 kg).



**WARNING:** Use this accessory only for its intended use as described in these instructions. Do not use attachments not recommended by the manufacturer.



**WARNING:** Never operate this accessory if it is damaged. Return the mounting system to a service center for examination and repair.



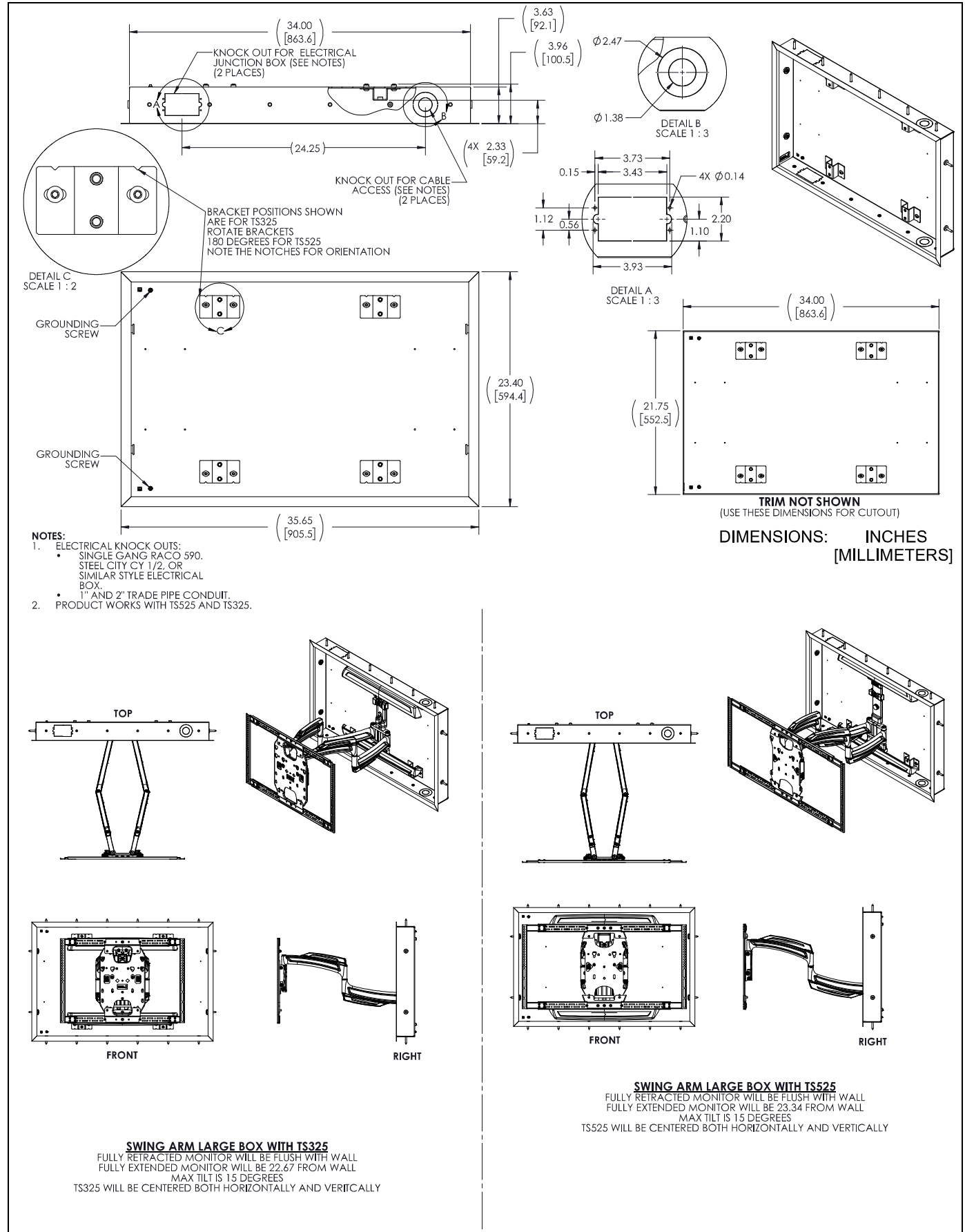
**WARNING:** Do not use this product outdoors.

## NOTES:

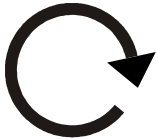





- It is the installer's responsibility to ensure that the enclosure is bonded to the ground in the switch box, in accordance with the National Electric Code, ANSI/NFPA 70 or Canadian Electrical Code, CSA C22.1. A green grounding screw is provided in the enclosure for the purpose, if required.
- The equipment shall be installed and assembled by qualified service personnel.
- Spacings - To ensure safe operation of the equipment installed in the enclosure, per National Electric Code ANSI/NFPA 70, a minimum separation between power cords and signal or communication cables may be required.
- This Cabinet System is for use with Listed wall mounts. Refer to the individual mounts' installation instructions for compatibility.

**--SAVE THESE INSTRUCTIONS--**

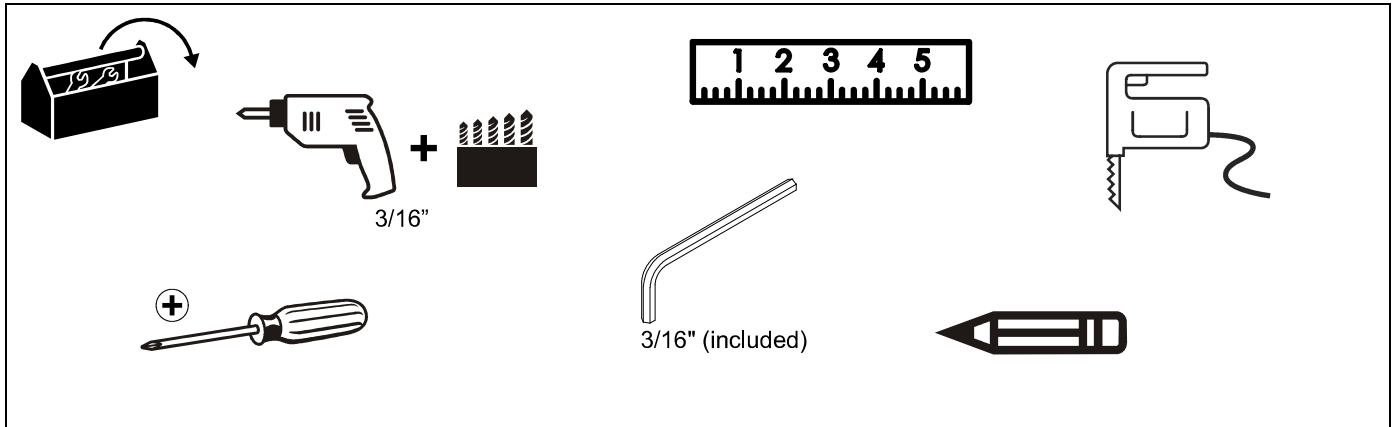
**DIMENSIONS**



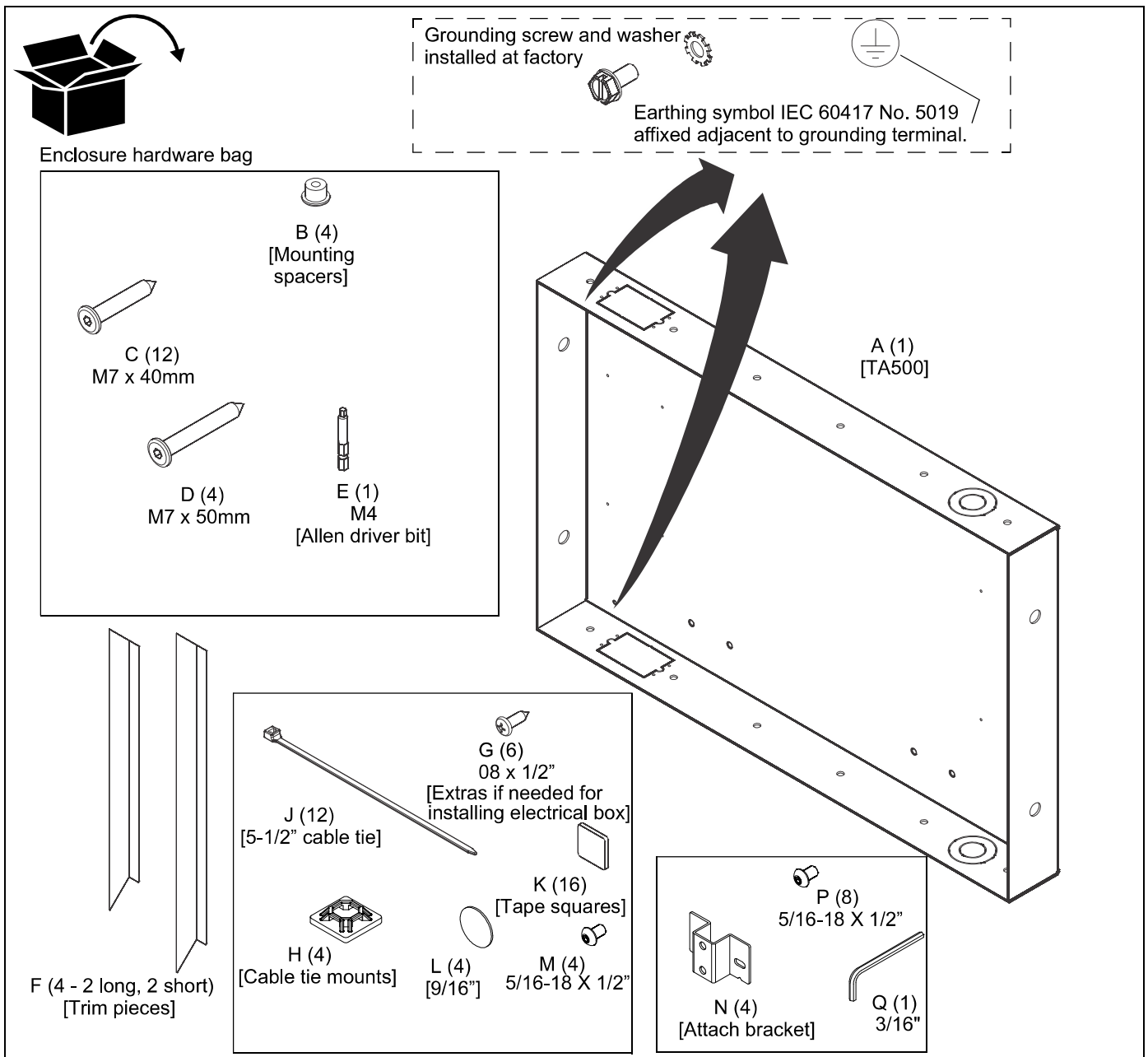
**LEGEND**

	<b>Tighten Fastener</b> Apretar elemento de fijación Befestigungsteil festziehen Apertar fixador Serrare il fissaggio Bevestiging vastdraaien Serrez les fixations		<b>Pencil Mark</b> Marcar con lápiz Stiftmarkierung Marcar com lápis Segno a matita Potloodmerkten Marquage au crayon
	<b>Loosen Fastener</b> Aflojar elemento de fijación Befestigungsteil lösen Desapertar fixador Allentare il fissaggio Bevestiging losdraaien Desserrez les fixations		<b>Drill Hole</b> Perforar Bohrloch Fazer furo Praticare un foro Gat boren Percez un trou
	<b>Phillips Screwdriver</b> Destornillador Phillips Kreuzschlitzschraubendreher Chave de fendas Phillips Cacciavite a stella Kruiskopschroevendraaier Tournevis à pointe cruciforme		<b>Hex-Head Wrench</b> Llave de cabeza hexagonal Sechskantschlüssel Chave de cabeça sextavada Chiave esagonale Zeskantsleutel Clé à tête hexagonale

**TOOLS REQUIRED FOR INSTALLATION**



**PARTS**



## INSTALLATION



**WARNING:** IMPROPER INSTALLATION CAN RESULT IN DEATH OR SERIOUS PERSONAL INJURY! This accessory should be installed by qualified personnel.

### Site Preparation

#### Locate and Prepare Mounting Site

**IMPORTANT ! :** The following procedure is the recommended installation method when installing to a load-bearing wall. Installation may vary based on type of wall. Consult a qualified building contractor prior to installation.

1. Identify a suitable wall location for the in-wall enclosure.

**IMPORTANT ! :** The TA500 is designed for in-wall installation spanning a minimum of three wood studs, 16" on center. Installation of TA500 in a wood stud wall will require additional framing to be added for support. Inadequate space will remain for electrical wires/cables, plumbing, ductwork, or insulation. Locate installation accordingly. Consult a qualified building contractor and applicable building codes.



**WARNING:** ELECTRICAL SHOCK HAZARD! CUTTING OR DRILLING INTO ELECTRICAL WIRES OR CABLES CAN CAUSE DEATH OR SERIOUS PERSONAL INJURY! ALWAYS make certain area behind mounting surfaces is free of electrical wires and cables before cutting, drilling, or installing fasteners.



**WARNING:** EXPLOSION AND FIRE HAZARD! CUTTING OR DRILLING INTO GAS PLUMBING CAN CAUSE DEATH OR SERIOUS PERSONAL INJURY! ALWAYS make certain area behind mounting surfaces is free of gas, water, waste, or any other plumbing before cutting, drilling, or installing fasteners.

2. Remove drywall from wall if already installed.

**IMPORTANT ! :** Consult a qualified building contractor to install housing framing and follow all applicable building codes!

**NOTE:** The exposed portion of the two existing wood studs must be removed and the resulting cavity completely framed with wood. The following steps are suggested. The actual procedure is dependent upon the specific installation.



**WARNING:** STRUCTURAL FAILURE HAZARD! FAILURE TO TAKE ADEQUATE PRECAUTIONS CAN LEAD TO DEATH OR SERIOUS INJURY! Ensure removal of studs will not cause unacceptable loss of structural strength. Consult a qualified building contractor and applicable building codes.

3. Remove exposed portion of wood studs flush with upper and lower drywall edges. (See Figure 1)

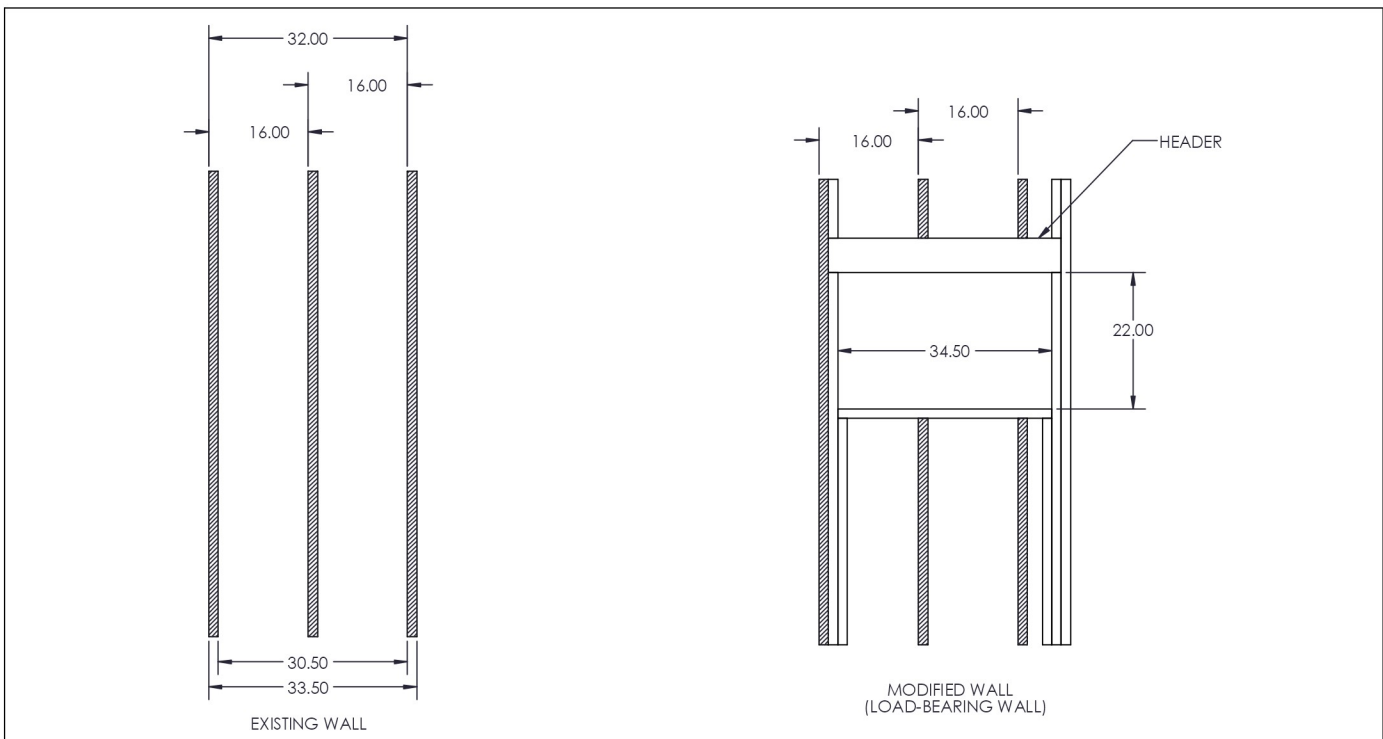


Figure 1

4. Add new stud (floor to ceiling) with outer edge 40 1/2" to the right of left edge of far left stud. (See Figure 2)
5. Add support framing inside far left stud and added stud from the floor to the lower edge of header. Use #10 x 2 1/2" countersunk wood screws (not provided) as needed to secure. (See Figure 2)
6. Install 2" x 6" header 37 1/2" long from inside edge of left stud to inside edge of new stud. Use #10 x 2 1/2" countersunk wood screws (not provided) as needed to secure. (See Figure 2)

**NOTE:** Size of header will depend on specific installation. Consult a qualified building contractor for advice.

7. Add support framing inside support framing added in Step 5 from the floor to the lower edge of horizontal framing. Use #10 x 2 1/2" countersunk wood screws (not provided) as needed to secure. (See Figure 2)
8. Install 34 1/2" long horizontal framing inside support framing added in Step 5. Use #10 x 2 1/2" countersunk wood screws (not provided) as needed to secure to wood studs. (See Figure 2)
9. Install two blocks from top of header to ceiling along far left stud and new stud. Use #10 x 2 1/2" countersunk wood screws (not provided) as needed to secure to wood studs. (See Figure 2)

**NOTE:** Ensure screws are far enough from block end to prevent interference with framing screws installed in **In-Wall Enclosure Installation** section.

10. If necessary, cut rectangular hole in horizontal framing to accommodate the PAC-GB1 Listed electrical box accessory. (not included)

**In-Wall Enclosure Installation**

1. Install PAC-GB1 Listed electrical box accessory (not included) into the TA500 (A) following instructions included with the PAC-GB1.
2. Connect electrical wiring according to National Electrical Code (NEC) ANSI/NFPA 70 - 2008, wire connection requirements.
3. Route audio/visual cables into housing.
4. Center TA500 (A) in opening and insert into opening. Align front of box with front face of wall. (See Figure 3)

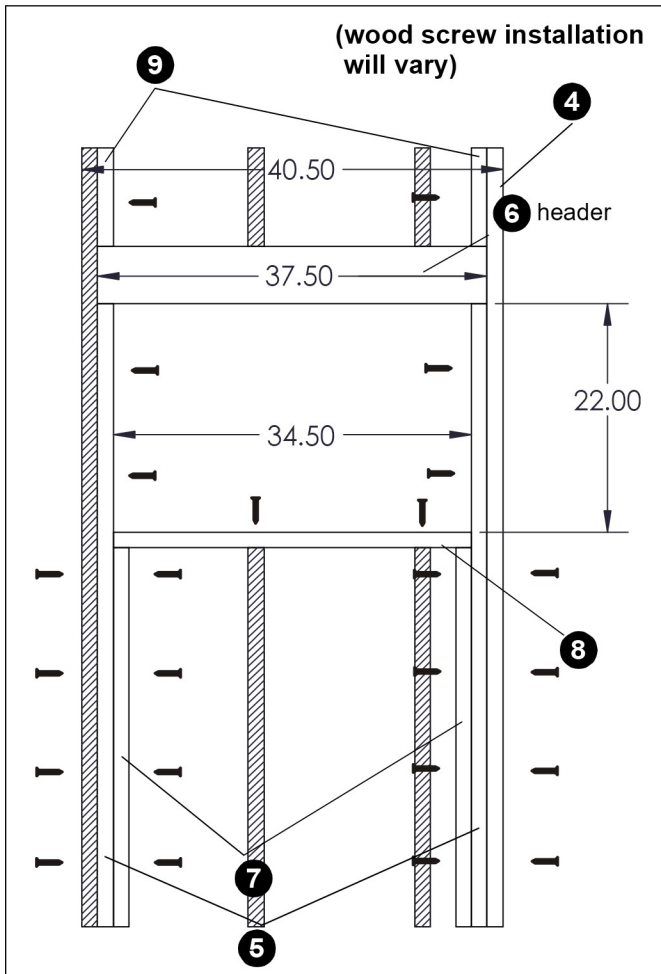


Figure 2

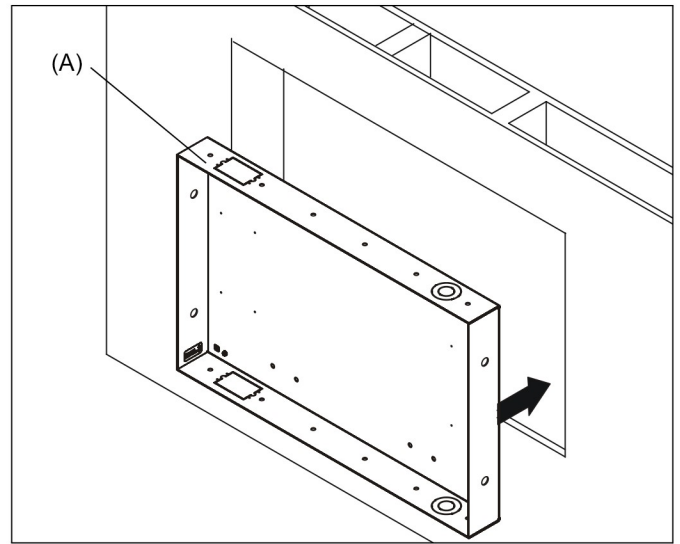


Figure 3



**WARNING:** ELECTRICAL SHOCK HAZARD! CUTTING OR DRILLING INTO ELECTRICAL WIRES OR CABLES CAN CAUSE DEATH OR SERIOUS PERSONAL INJURY! ALWAYS make certain area behind mounting surfaces is free of electrical wires and cables before cutting, drilling, or installing fasteners.

5. Drill four 3/16" diameter pilot holes in studs at side mounting holes. (See Figure 4)
6. Attach the TA500 (A) to side studs using four M7 x 50mm Allen head connector screws (D) and mounting spacers (B) using an M4 Allen head drill bit (E). (See Figure 4)

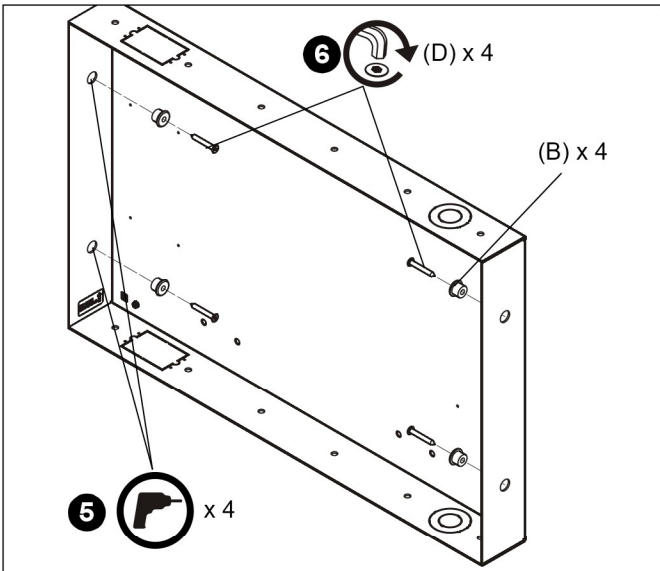


Figure 4

**NOTE:** The TA500 has 1/2" total clearance between the two studs. The spacers allow side to side adjustment.

7. Drill eight 3/16" diameter pilot holes in horizontal framing at top and bottom mounting holes. (See Figure 5)
8. Attach the TA500 (A) to horizontal framing using twelve M7 x 40mm Allen head connector screws (C) using an M4 Allen head drill bit (E). (See Figure 5)

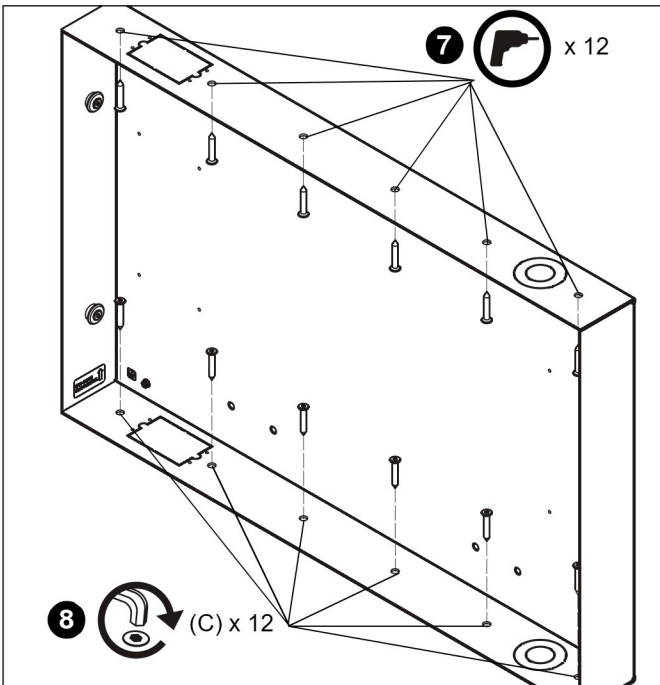


Figure 5



**DANGER:** IMPROPER WIRING CAN LEAD TO DEATH OR SEVERE PERSONAL INJURY! Grounding must be installed by qualified personnel using a UL Recognized No. 12AWG grounding wire connected to grounding lug on mount.

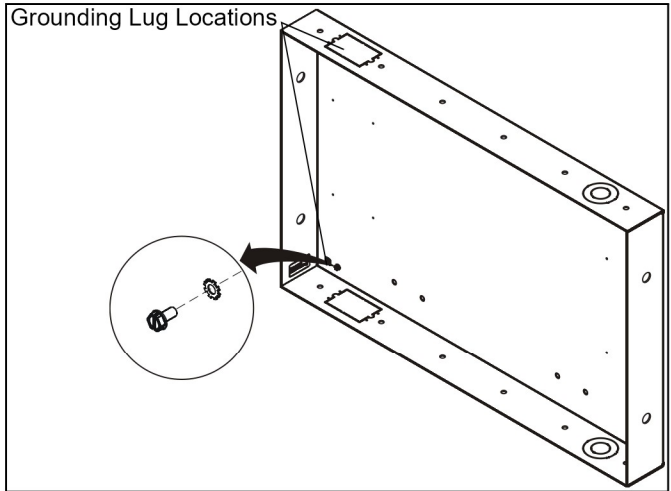


Figure 6

**TS325TU/TS525TU Installation**

**IMPORTANT !:** The TA500 was designed specifically for the TS325TU or TS525TU wall mount. Do not attempt to install any other wall mounts with the TA500!

1. Use eight 5/16-18 x 1/2" button head cap screws (P) to attach four attachment brackets (N) to the TA500 (A). (See Figure 7) and (See Figure 8)

**IMPORTANT !:** Bracket orientation is different depending on mount being installed. Notches point to the outside for TS325TU and to the inside for TS525TU. (See Figure 7) and (See Figure 8)

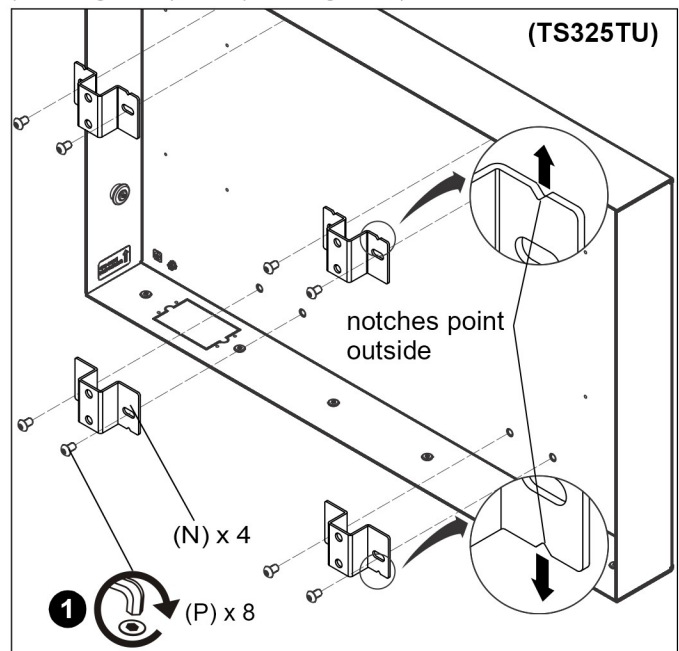


Figure 7

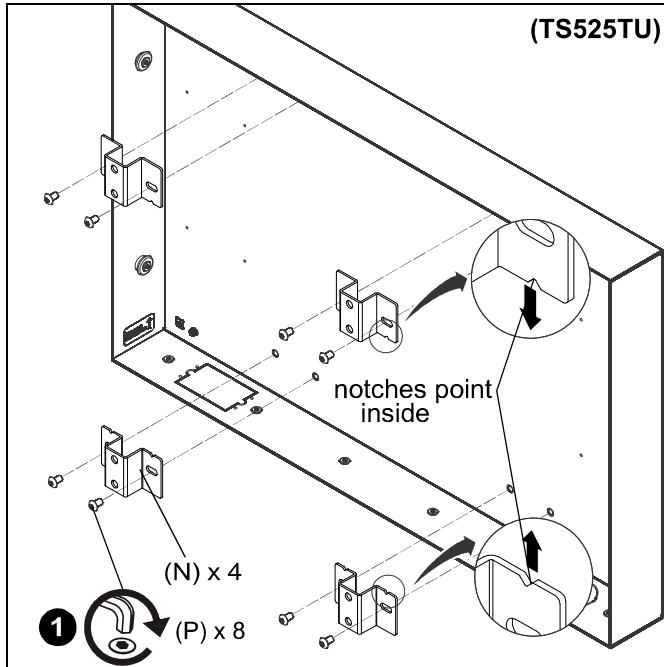


Figure 8

- Use two 5/16-18 x 1/2" button head cap screws (M) to loosely attach upper wall plate of TS325TU/TS525TU to upper attachment brackets (N). (See Figure 9)

**IMPORTANT !** : Install to upper bracket holes for TS525TU and lower bracket holes for TS325TU. See Insets on Figure 9.

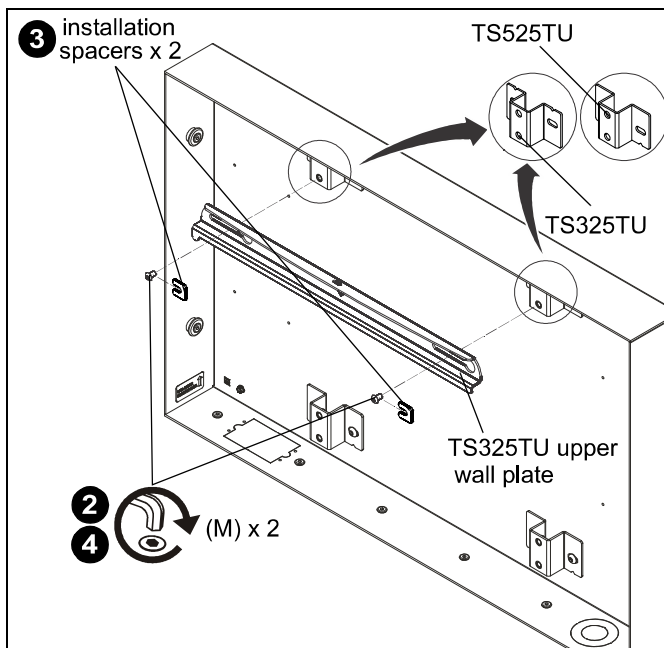


Figure 9

- Place two installation spacers (included with TS325TU/TS525TU) over two 5/16-18 x 1/2" button head cap screws (M). (See Figure 9)
- Tighten two screws (M) to secure upper wall plate to upper attachment brackets.

- Slide TS325TU/TS525TU assembly onto upper wall plate of TS325TU/TS525TU. (See Figure 10)

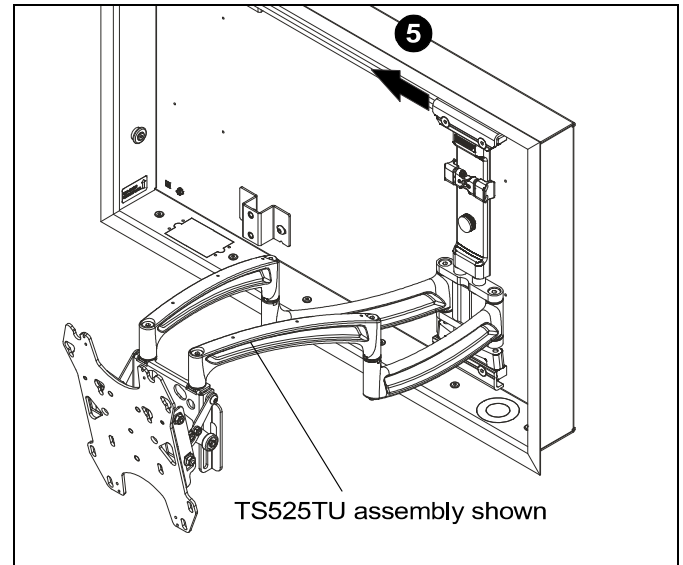
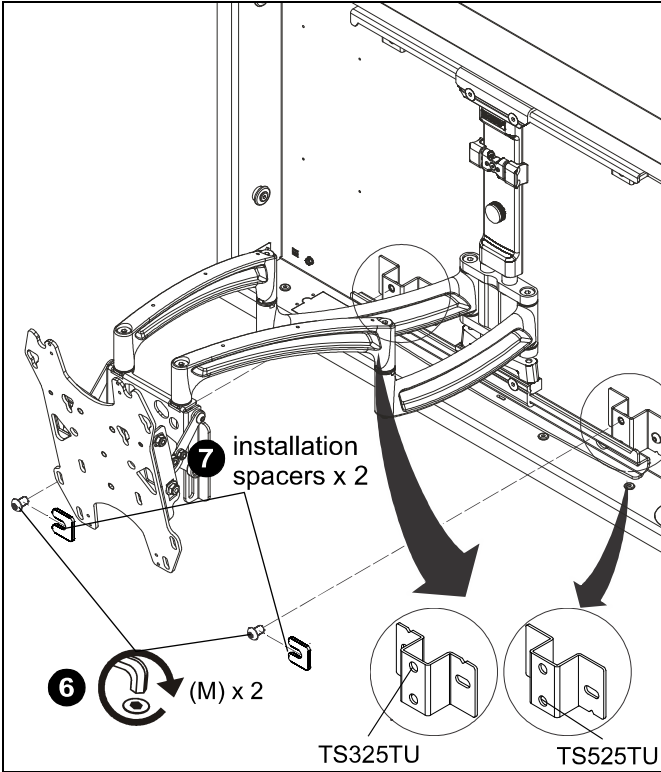


Figure 10

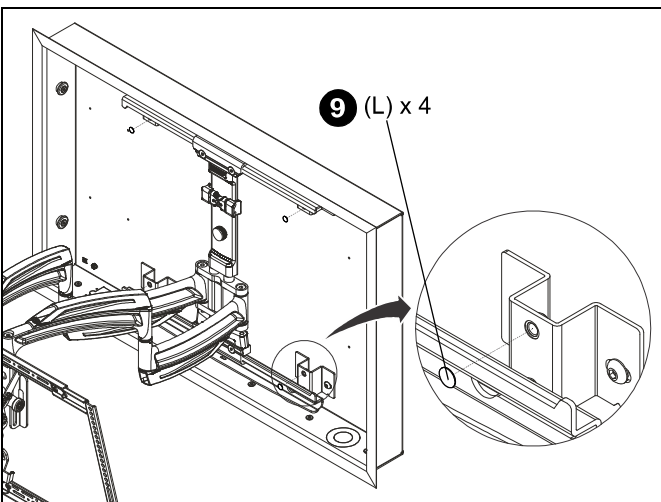
- Use two 5/16-18 x 1/2" button head cap screws (M) to loosely attach lower wall plate of TS325TU/TS525TU assembly to lower attachment brackets (N). (See Figure 11)

**IMPORTANT ! :** Install to lower bracket holes for TS525TU and upper bracket holes for TS325TU. See insets on Figure 11.



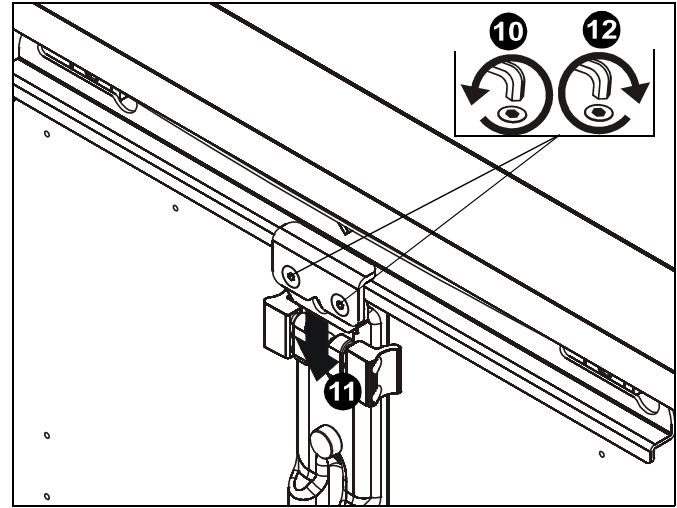
**Figure 11**

- Place two installation spacers (included with TS325TU/TS525TU) over two 5/16-18 x 1/2" button head cap screws (M). (See Figure 11)
- Tighten two screws (M) to secure lower wall plate to lower attachment brackets.
- Install four 9/16" covers (L) into unused holes on attachment brackets. (See Figure 12)



**Figure 12**

- Loosen flat head cap screws on upper carriage rail in order to loosen white spacer. (See Figure 13)
- Remove white spacer from mount. (See Figure 13)
- Tighten flat head cap screws. (See Figure 13)

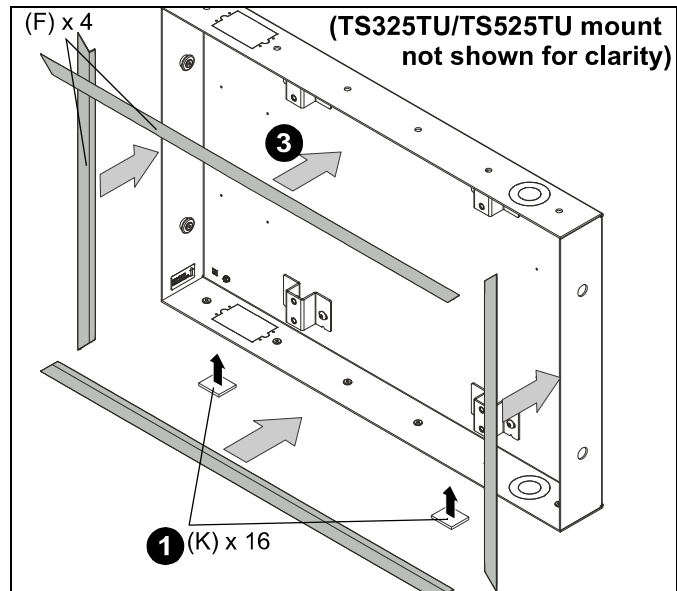


**Figure 13**

- Complete TS325TU/TS525TU installation following TS325TU/TS525TU installation instructions.

**Trim Kit (Optional)**

- Remove paper covering adhesive and affix three tape squares (K) to inside lower flange of each trim piece (F). (See Figure 14)
- Orient trim pieces (F). (See Figure 14)
- Remove paper covering adhesive back from tape squares (K) on trim and press trim (F) against inner wall of box. (See Figure 14)



**Figure 14**

**Cable Management**

- Attach all cables to display.
- If necessary, use cable tie mounts (H) and cable ties (J) to secure cables within TA500.



**CHIEF**<sup>®</sup>A brand of **legrand**<sup>®</sup>

8800-003086 Rev02  
©2020 Legrand | AV  
[www.legrandav.com](http://www.legrandav.com)  
05/20

<b>USA/International</b>	<b>A</b> 6436 City West Parkway, Eden Prairie, MN 55344 <b>P</b> 800.582.6480 / 952.225.6000 <b>F</b> 877.894.6918 / 952.894.6918
<b>Europe</b>	<b>A</b> Franklinstraat 14, 6003 DK Weert, Netherlands <b>P</b> +31 (0) 495 580 852 <b>F</b> +31 (0) 495 580 845
<b>Asia Pacific</b>	<b>A</b> Office No. 918 on 9/F, Shatin Galleria 18-24 Shan Mei Street Fotan, Shatin, Hong Kong <b>P</b> 852 2145 4099 <b>F</b> 852 2145 4477

