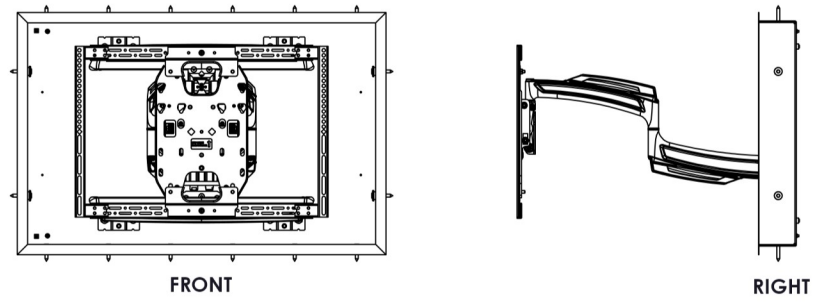
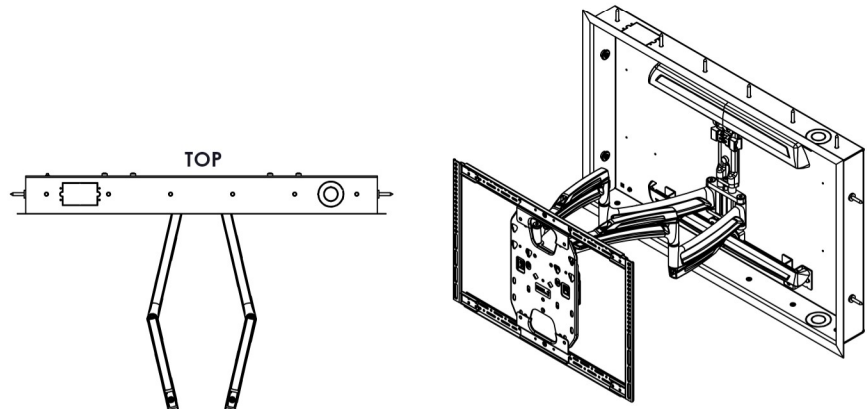


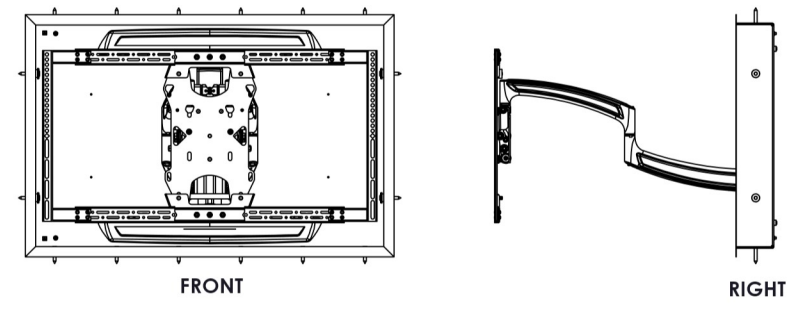
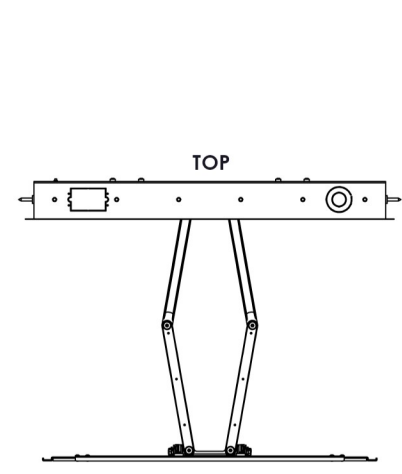
- NOTES:**
- ELECTRICAL KNOCK OUTS:**
 - SINGLE GANG RACO 590. STEEL CITY CY 1/2, OR SIMILAR STYLE ELECTRICAL BOX.
 - 1" AND 2" TRADE PIPE CONDUIT.
 - PRODUCT WORKS WITH TS525 AND TS325.

THE INFORMATION AND DESIGNS CONTAINED IN THIS DRAWING ARE CONFIDENTIAL AND THE PROPRIETARY PROPERTY OF MILESTONE AV TECHNOLOGIES NEITHER THIS DESIGN NOR ANY INFORMATION CONTAINED IN THIS DRAWING MAY BE REPRODUCED OR DISCLOSED TO OTHERS WITHOUT THE EXPRESS WRITTEN CONSENT OF MILESTONE AV TECHNOLOGIES.

CAD GENERATED DRAWING. DO NOT MANUALLY UPDATE.			CHIEF	6436 CITY WEST PKWY EDEN PRAIRIE, MN, 55344 PHONE: 866-977-3901 FAX: 877-894-6918	
DRAWN BY	LRP	8/20/2012		DESCRIPTION THININSTALL IN-WALL BOX- LARGE TS525/TS325	
ENG APPROVAL	LRP	8/20/2012	MODEL NO. TA500		
MFG APPROVAL			SCALE 1:8		
QA APPROVAL			SIZE DWG. NO. B TECH-000104		
SHEET 1 OF 2			REV.		04



SWING ARM LARGE BOX WITH TS325
 FULLY RETRACTED MONITOR WILL BE FLUSH WITH WALL
 FULLY EXTENDED MONITOR WILL BE 22.67 FROM WALL
 MAX TILT IS 15 DEGREES
 TS325 WILL BE CENTERED BOTH HORIZONTALLY AND VERTICALLY



SWING ARM LARGE BOX WITH TS525
 FULLY RETRACTED MONITOR WILL BE FLUSH WITH WALL
 FULLY EXTENDED MONITOR WILL BE 23.34 FROM WALL
 MAX TILT IS 15 DEGREES
 TS525 WILL BE CENTERED BOTH HORIZONTALLY AND VERTICALLY

THE INFORMATION AND DESIGNS CONTAINED IN THIS DRAWING ARE CONFIDENTIAL AND THE PROPRIETARY PROPERTY OF MILESTONE AV TECHNOLOGIES NEITHER THIS DESIGN NOR ANY INFORMATION CONTAINED IN THIS DRAWING MAY BE REPRODUCED OR DISCLOSED TO OTHERS WITHOUT THE EXPRESS WRITTEN CONSENT OF MILESTONE AV TECHNOLOGIES.

CAD GENERATED DRAWING. DO NOT MANUALLY UPDATE.			<p>6436 CITY WEST PKWY EDEN PRAIRIE, MN, 55344 PHONE: 866-977-3901 FAX: 877-894-6918</p>	REV. 04
DRAWN BY	LRP	8/20/2012		
ENG APPROVAL	LRP	8/20/2012	DESCRIPTION: THININSTALL IN-WALL BOX- LARGE TS525/TS325	
MFG APPROVAL				
QA APPROVAL				
SHEET 2 OF 2			MODEL NO. TA500	
SCALE	1:12	SIZE	DWG. NO. B TECH-000104	